

# Condensing Dryer, 8kg

Series 7 | Condensing

White

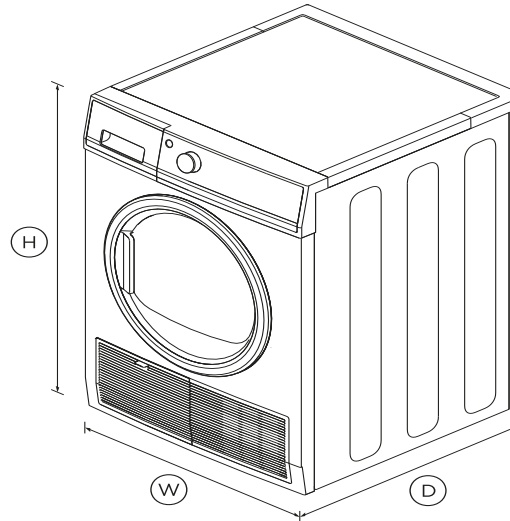


With no need to vent moisture outside your condensing dryer can be incorporated into any laundry design, for a beautiful laundry.

- 11 drying cycles including Delicate, Easy Iron and Rack Dry
- Auto-sensing detects moisture levels to prevent under or over drying
- No need for external venting, allowing your dryer to be placed anywhere in your home

## DIMENSIONS

Height	850mm
Width	600mm
Depth	650mm



## FEATURES & BENEFITS

### HEALTHIER DRYING

Condensing technology drains water from the dryer into a tank. This reduces moisture and allergens released into your laundry, compared with a front venting dryer. A healthier choice for allergy sufferers.

### EASY TO USE

This dryer has a cycle to suit every type of load including Delicate, Heavy and Freshen. Select a cycle with the easy to use SmartTouch™ control dial.

### DRYING RACK

This model comes with a drying rack, perfect for those items that are too precious to tumble.

### CARES FOR CLOTHES

Auto-sensing prevents over-drying by sensing moisture levels inside the drum and shutting off automatically. This helps clothes last for longer and reduces energy consumption.

### DRUM LIGHT

A handy interior light turns on when you open the dryer door, providing improved visibility inside the drum.

### PERFECT PAIR

Fisher & Paykel washing machines and dryers are designed to match and look stylish together in your laundry - they can be stacked to offer you more storage space.

## SPECIFICATIONS

### Dry Cycles

Air Dry	•
Delicate	•
Easy Iron	•
Everyday	•
Heavy	•
Number of cycles	11
Rack dry	•
Sheets	•
Time to dry 30	•
Time to dry 60	•
Time to dry 90	•

### Features

Clean condenser filter	•
------------------------	---

Clean door lint filter reminder	•		
Drain hose	<b>included</b>	SKU	95126
Drum light	•		
Drying rack	•		
Easy access lint filter	•		
End of cycle signal	•		
No external venting	•		
Progress indicator	•		
Removable water tank	•		
SmartTouch™ control dial	•		
Stainless steel drum	•		
Time to go	•		
Wrinkle free option	•		

---

The product dimensions and specifications in this page apply to the specific product and model. Under our policy of continuous improvement, these dimensions and specifications may change at any time. You should therefore check with Fisher & Paykel's Customer Care Centre to ensure this page correctly describes the model currently available. ? Fisher & Paykel Appliances Ltd 2020

---

**Other product downloads available at fisherpaykel.com**

- [↓](#) Service & Warranty
- [↓](#) Installation Guide
- [↓](#) Installation Guide - Cavity Sizes

---

**Performance**

Auto sensing	•
Condensing	•
Dryness settings	<b>5</b>
Reverse tumbling	•
Temperature settings	<b>4</b>
Time dry	<b>30, 60, 90 mins</b>

---

**Product dimensions**

Depth	<b>650mm</b>
Height	<b>850mm</b>
Width	<b>600mm</b>

---

**Warranty**

Parts and labour	<b>2 years</b>
------------------	----------------



**A PEACE OF MIND SALE**

**24 Hours 7 Days a Week Customer Support**

**T +65 6741 0777 Wwww.fisherpaykel.com**