

# 76cm Series 9 Professional Warming Drawer

Professional

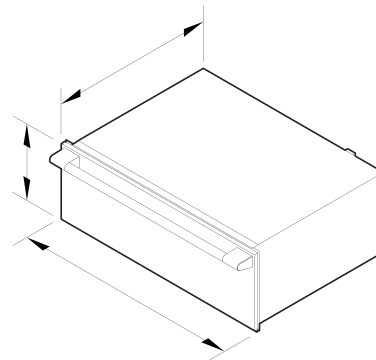


With a bold and distinctive design this Warming Drawer keeps food and plates warm, with additional functions like Rapid Proof and Dehydrate.

- Soft close drawer with room for up to 16 standard-sized place settings
- Simple and intuitive touch controls for effortless operation
- Automatic switch-off and delayed start to keep dishes warm until it is time to serve
- Designed to match our Professional style appliances, for the ultimate kitchen solution

## DIMENSIONS

Height	271 mm
Width	758 mm
Depth	571 mm



## FEATURES & BENEFITS

### MULTI-FUNCTION FLEXIBILITY

With space for up to 16 place settings or 20 cappuccino cups, our warming drawer is the ideal kitchen companion. Choose from six tailored functions, including Rapid Proof for dough, Dehydrate for drying foods, and Slow Cook for tender, flavourful meals.

### PRECISE CONTROL

With gentle, even heating, our warming drawer is perfect for keeping dishes warm or gently cooking at low temperatures. Maintain the ideal serving temperature for every course, from delicate entrées to desserts, or use it to slowly develop rich, tender textures in your favourite recipes.

### SAFE AND SOUND

With automatic switch-off and delayed start functionality, our warming drawers help keep dishes warm until you are ready to serve.

### EASY TO CLEAN

Cleaning and care of the warming drawer is simple. After each use, just wipe out the smooth glass base with a damp cloth.

### DESIGNED TO MATCH

Designed to complement our Professional style family of appliances, this Warming Drawer features a stainless steel finish with refined detailing. Able to be seamlessly built in almost anywhere, our companion products are crafted to align beautifully and install at the height that best suits your kitchen and lifestyle.

## SPECIFICATIONS

### Accessories (included)

Wire shelf	1
------------	---

### Capacity

Accessory rack maximum allowable weight	19kg
Cappuccino cups	24
Espresso cups	54
Maximum allowable weight	25 kg
Place settings	16

**Cleaning**

- Easy clean smooth-glass base

**Controls**

- Audio feedback
- Electronic capacitive touch controls
- On/Off indicator
- Pre-set heating functions
- Push-to-open drawer
- Soft close drawer
- Standby mode

**Functions**

- Cups
- Dehydrate
- Number of functions **6**
- Plates
- Rapid proof
- Slow cook
- Warm

**Performance**

- Heated glass base and fan
- Low temperature cooking
- Temperature levels **6**

**Power requirements**

Rated current	<b>10 A</b>
Supply frequency	<b>50 Hz</b>
Supply voltage	<b>240 V</b>

**Product dimensions**

Depth	<b>571 mm</b>
Height	<b>271 mm</b>
Width	<b>758 mm</b>

**Safety**

- Automatic turn off after 12 hours

SKU	<b>85471</b>
-----	--------------

The product dimensions and specifications in this page apply to the specific product and model. Under our policy of continuous improvement, these dimensions and specifications may change at any time. You should therefore check with Fisher & Paykel's Customer Care Centre to ensure this page correctly describes the model currently available. © Fisher & Paykel Appliances Ltd 2020

**Other product downloads available at fisherpaykel.com**

- [↓](#) DWG
- [↓](#) DXF
- [↓](#) Care Guide (English)
- [↓](#) First Use (English)
- [↓](#) Installation Guide (English)
- [↓](#) Installation Guide (English)

- [↓](#) Planning Guide - 76cm Professional (English)
- [↓](#) Revit
- [↓](#) Rhino
- [↓](#) Safety & Warnings (English)
- [↓](#) SketchUp

**Where applicable:**

All appliances use energy, and energy usage typically generates carbon emissions. **Fisher & Paykel Appliances' In-use Energy Carbon Emissions Estimate** indicates carbon emissions from a product's in-use energy. This is calculated either annually or per cycle, using the product's market-specific energy label energy consumption data multiplied by the carbon emissions factor for energy in your country or region.

Our In-use Energy Carbon Emissions Estimate is designed to assist customers in making informed purchasing decisions when comparing different Fisher & Paykel products. For example, a heat pump dryer typically has a lower In-use Energy Carbon Emissions Estimate than a vented dryer.



**A PEACE OF MIND SALE**  
**24 Hours 7 Days a Week Customer Support**  
 T 0800 372 273 W [www.fisherpaykel.com](http://www.fisherpaykel.com)