

# Oven, 60cm, 16 Function Self-cleaning

Series 7 | Minimal

Black Glass



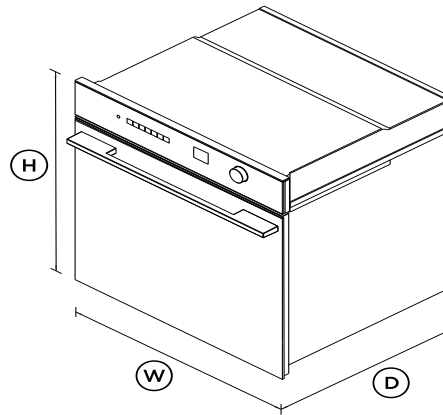
With refined Minimal styling and generous capacity, this built-in oven helps to ensure that every dish you create is cooked to perfection.

- 16 oven functions including Pastry Bake, Roast, Dehydrate and Rapid Proof
- Even heat circulation with AeroTech™, ideal for multi-shelf cooking
- Pyrolytic self-cleaning function breaks down food residue for an easy clean

- Designed to match our Minimal style family of cooking appliances

## DIMENSIONS

Height	598mm
Width	596mm
Depth	565mm



## FEATURES & BENEFITS

### MULTI-FUNCTION FLEXIBILITY

Each function has been perfected to ensure that no matter what you're cooking, you've got the right heat to match. This built-in oven has 16 functions including Pastry Bake, Roast, Fan Grill, Dehydrate and Rapid Proof, allowing you to use a variety of cooking styles.

### Generous capacity

With a generous 85L total capacity, you can create several perfectly cooked dishes at once using multiple shelves.

### COOK WITH CONFIDENCE

The 2.4" screen provides an intuitive guided cooking experience that helps to deliver perfect results, whether you've been cooking all your life or are just starting out. Cook by food type and allow your oven to guide you through the steps, or change temperature and heat type automatically, depending on your selection.

### EXCEPTIONAL PERFORMANCE

Our unique cooking technologies were developed to deliver perfect results. ActiveVent ensures optimised moisture levels, while AeroTech™ circulates heat evenly for a consistent temperature.

### Self-cleaning

Pyrolytic self-clean breaks down food residue at a very high temperature, leaving a light ash that's easily removed with a damp cloth. The enamel coated side racks don't need to be removed when using this function.

### Complementary design

Designed to blend seamlessly into the kitchen, this Minimal style oven features subtle textural and tonal contrasts. Available in a black or grey finish to support a considered kitchen design.

### SAFE AND SOUND

The CoolTouch door features triple glazing and a cooling system that ensures it's safe to touch from the outside – protecting both your hands and the surrounding cabinetry.

## SPECIFICATIONS

### Accessories

Flat brushed baking tray	1
Full extension sliding shelves	1 set

Grill rack	<b>1 set</b>	Intuitive touchscreen display	•	AeroTech™ technology	•
Pyrolytic proof shelf runners	•	Multi-language display	<b>UK English, US English,</b>	Automatic rapid pre-heat	•
Roasting dish	<b>1</b>	Sabbath mode with Mehadrin	•	Grill power	<b>3000W</b>
Step down wire shelf	<b>1</b>	Soft close doors	•	Temperature range	<b>35°C - 280°C</b>
Wired temperature sensor	<b>1</b>	True convection oven	•	Whisper quiet cooking	•
<hr/>		Turned stainless steel dials	•	<hr/>	
<b>Capacity</b>		Wi-Fi connectivity	•	<b>Power requirements</b>	
Shelf positions	<b>6</b>	Wireless temperature sensor	•	Amperage	<b>15A</b>
Total capacity	<b>85L</b>	<hr/>		Rated current	<b>15A</b>
Usable capacity	<b>72L</b>	<b>Functions</b>		Supply frequency	<b>50Hz</b>
<hr/>		Air fry	•	Supply voltage	<b>220-240V</b>
<b>Cleaning</b>		Bake	•	<hr/>	
Acid resistant graphite enamel	•	Classic bake	•	<b>Product dimensions</b>	
Pyrolytic self-clean	•	Dehydrate	•	Depth	<b>565mm</b>
Removable oven door	•	Fan bake	•	Height	<b>598mm</b>
Removable oven door inner	•	Fan forced	•	Width	<b>596mm</b>
Removable shelf runners	•	Fan grill	•	<hr/>	
<hr/>		Grill	•	<b>Safety</b>	
<b>Controls</b>		Number of functions	<b>16</b>	Balanced oven door	•
Adjustable audio and display	•	Pastry Bake	•	Catalytic venting system	•
Audio feedback	•	Pizza bake	•	Control panel key lock	•
Automatic cooking/minute	•	Pyrolytic self-clean	•	Non-tip shelves	•
Automatic pre-set	•	Rapid proof	•	Safety thermostat	•
Celsius/Fahrenheit	•	Roast	•	<hr/>	
Delay start	•	Slow cook	•	<b>Warranty</b>	
Electronic clock	•	Vent bake	•	Parts and labour	<b>2 years</b>
Electronic oven control	•	Warm	•	<hr/>	
Food probe	•	<hr/>		SKU	<b>82543</b>
Guided cooking by food types	•	<b>Performance</b>		<hr/>	
Halogen lights	•	ActiveVent™ system	•	<hr/>	

The product dimensions and specifications in this page apply to the specific product and model. Under our policy of continuous improvement, these dimensions and specifications may change at any time. You should therefore check with Fisher & Paykel's Customer Care Centre to ensure this page correctly describes the model currently available. ? Fisher & Paykel Appliances Ltd 2020

---

**Other product downloads available at [fisherpaykel.com](https://fisherpaykel.com)**



Service & Warranty



User Guide Oven



Installation Guide Wall Oven



Datasheet Oven



Preliminary Specification Guide Wall Oven



**A PEACE OF MIND SALE**

24 Hours 7 Days a Week Customer Support

T 1300 650 590 **W**[www.fisherpaykel.com](https://www.fisherpaykel.com)