

Dual Fuel Range, 48", 4 Burners, 4 Induction Zones, Self-cleaning, LPG

Series 9 | Professional

Stainless Steel | LPG



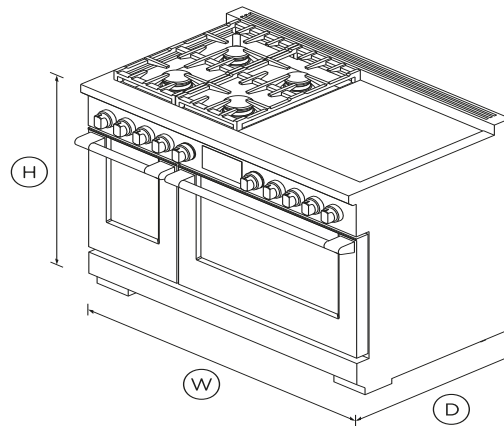
With both induction and gas cooktops and two convection ovens, you're ready to create a feast - guided by an intuitive touchscreen.

- Guided cooking using your touchscreen makes it simple to cook by food, function or recipe.
- Top burner heat of 19,000 BTU, for seriously fast boiling
- Four induction cooking zones, which can be paired to form two SmartZones

- 6.9 cu ft total oven capacity across two oven cavities

DIMENSIONS

Height	35 ³ / ₄ - 36 ³ / ₄ "
Width	47 ⁷ / ₈ "
Depth	29 ¹ / ₈ "



FEATURES & BENEFITS

Cook with confidence

Our touchscreen interface provides an intuitive guided cooking experience that helps deliver perfect results, whether you've been cooking all your life or just starting out. Cook with a favorite method, a hero ingredient, or a go-to cooking function or recipe. The screen tilts for improved ergonomics and optimal visibility while cooking.

Generous capacity

Two independently operating cavities provide a large total capacity of 4.8 cu. ft. in the main cavity and 2.1 cu. ft. in the secondary. That's enough room for a 32 lb turkey in one oven, and your sides in the other.

Cooking flexibility

No matter what you're cooking, you've got the right heat to get perfect results. Each of the 15 oven functions in the main cavity and 11 in the secondary have been extensively researched and carefully designed to cater to a broad range of dishes and cooking styles. The handy food probe helps you monitor your progress.

Cooktop power

On the gas side of the cooktop, Sealed dual flow burners deliver power up to 19,000 BTU, while the induction side delivers up to 3700W. This finely tuned cooktop provides instant and immediate control from the highest heat to the most gentle simmer.

Design quality

This range has craftsmanship in every detail, with real stainless steel, cast-iron trivets, and beautifully weighted, halo illuminated dials. Each cavity features incandescent lights and full extension telescopic racks. From the robust legs to the powerful cooktop, this Range is built to last.

Easy to clean

The oven features a self-cleaning function and self-clean proof side racks, which don't need to be removed when using this function. The induction zones only need a quick wipe after use to keep them clean.

SPECIFICATIONS

Accessories

Square handle option

AH-R48

Cleaning

- Pyrolytic self-clean •

Controls

- High resolution display •
- Sabbath mode •

Gas requirements

- Fitting and pipe $\frac{1}{2}$ NPT, min. $\frac{5}{8}$ " Ø flex line
- Supply Pressure (LPG) 11" to 14" W.C

Oven features

- Concealed element •
- Electronic oven control •
- Full extension telescopic 2
- Internal light •
- Pyrolytic self-clean •
- True convection •

Oven functions

- Pyrolytic self-clean •

Oven performance

- Main Oven Shelf Positions 5
- Main Oven Usable Capacity 3.8cu ft

Power requirements

- Supply frequency 60Hz
- Supply voltage 120 - 240V

Product dimensions

- Depth 29 $\frac{1}{8}$ "
- Height 35 $\frac{3}{4}$ " - 36 $\frac{3}{4}$ "
- Width 47 $\frac{7}{8}$ "

Rangetop features

- Gentle heat 3 settings (111°F, 158°F, 201°F)
- Heat settings 9
- Induction cooking technology •
- PowerBoost •
- PowerBoost all zones up to 3700W
- Sealed Dual Flow Burners™ 4
- Simmer on all burners 140°F
- SmartZone 2
- Vent trim included Flat vent trim
- Zone bridging •

Rangetop Performance

- Left front zone rating 2100W/3700W
- Left rear zone rating 2100W/3700W
- Max burner power 19000BTU
- Power back left 13000BTU
- Power back right 13000BTU
- Power front left 19000BTU
- Power front right 13000BTU
- PowerBoost all zones up to 3700W
- Right front zone rating 2100W/3700W
- Right rear zone rating 2100W/3700W
- Total cooktop power 58000BTU

Safety

- Pan detection system •
- Safety time out •
- Surface hot indicators •

Warranty

- Parts and labor Limited 2 Years Parts & Labor

SKU 81891

TEST The product dimensions and specifications in this page apply to the specific product and model. Under our policy of continuous improvement, these dimensions and specifications may change at any time. You should therefore check with Fisher & Paykel's Customer Care Centre to ensure this page correctly describes the model currently available. ? Fisher & Paykel Appliances Ltd 2020

Other product downloads available at fisherpaykel.com



User Guide



Service & Warranty Booklet



Installation Guide



Resources (zip)



A PEACE OF MIND SALE

24 Hours 7 Days a Week Customer Support

T 1.888.936.7872 **W**www.fisherpaykel.com