

Combination Steam Oven, 24", 9 Function

Series 9 | Contemporary

Stainless Steel

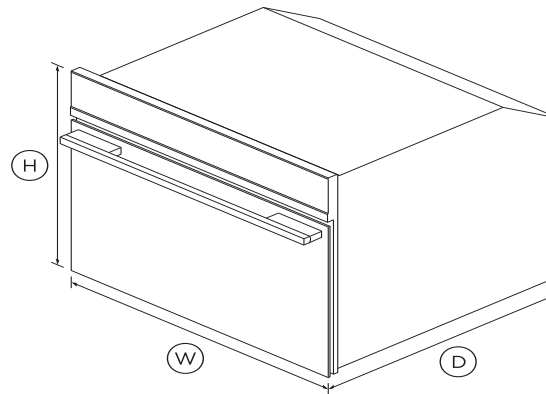


Reduce the need for oils and fats with steam cooking. Its compact size makes this perfect to pair with a warming drawer underneath.

- 1.3 cu ft total capacity
- Cooking flexibility with nine oven functions, including five Steam functions, Broil and Convection
- Steam cooking allows you to cook a food in its own juices, to retain nutrients and flavour
- Designed to match aesthetically with companion products such as warming drawers, for flexible cooking configurations

DIMENSIONS

Height	18 1/16"
Width	23 7/16"
Depth	22 1/8"



FEATURES & BENEFITS

Sized to suit

This compact 24" Steam Oven can be placed almost anywhere. All Companion products can be installed at a convenient height to suit your kitchen design and preference.

Simple to use

An easy to use, intuitive display shows the time and provides useful information about functions along with a refill alert.

Easy cleaning

Cleaning and care of the Steam Oven is simple. After each use, just wipe the smooth stainless steel interior with a dry cloth.

Safe & sound

The CoolTouch door is safe to touch from the outside, protecting your hands and the surrounding cabinetry.

Easy installation

Plug in and cook straight away. The Steam Oven is easy to install, with no plumbing needed.

Healthy eating

The Steam Oven allows you to cook food in its own juices to retain nutrients and flavor. With nine oven modes, it doesn't just steam, but also has Broil and Fan functions.

SPECIFICATIONS

Accessories

Baking pan	1
Food probe	1
Matching Trim Kit	Part 81226
Meat probe	1
Optional lower trim kit	Part 81662
Perforated baking tray	1
Wire shelf	1

Capacity

Shelf positions	3
-----------------	----------

Cleaning

Easy clean stainless steel	•
Easy to clean formed side	•
Removable water tank	•

Controls

- Audio feedback
- Automatic cooking/minute
- Celsius/Fahrenheit
- High resolution touch display
- Intuitive information display
- Multi-language interface
- Precise electronic temperature
- True convection oven

Functions

- Broil
- Convection Broil
- Number of functions **9**
- Recipe function
- Ring + broil
- Steam + ring
- Steam 100
- Steam 130
- Steam assist

Performance

Broil power	4400W
Fan Element Power	1500W
Grill power	1500W
Steam generator	1800W

Power requirements

Amperage	15A
----------	------------

Supply frequency	60Hz
Supply voltage	208V

Product dimensions

Depth	22 1/8"
Height	18 1/16"
Width	23 7/16"

Safety

- ADA compliant
- Control panel key lock
- CoolTouch door

SKU	81230
-----	--------------

The product dimensions and specifications in this page apply to the specific product and model. Under our policy of continuous improvement, these dimensions and specifications may change at any time. You should therefore check with Fisher & Paykel's Customer Care Centre to ensure this page correctly describes the model currently available. © Fisher & Paykel Appliances Ltd 2020

Other product downloads available at fisherpaykel.com

- [↓](#) User Guide
- [↓](#) Service & Warranty
- [↓](#) Installation Guide
- [↓](#) Guide D'Installation
- [↓](#) Installation Guide - Cavity Trim Kit
- [↓](#) Specification Guide Combination Steam Oven
- [↓](#) Data Sheet Combination Steam Oven
- [↓](#) Data Sheet Combination Steam Oven with 30" Trim
- [↓](#) Data Sheet Combination Steam Oven with Bottom Trim
- [↓](#) Planning Guide - Minimal and Contemporary Triple Stack Install



A PEACE OF MIND SALE

24 Hours 7 Days a Week Customer Support

T 1.888.936.7872 Wwww.fisherpaykel.com