

FISHER & PAYKEL

DATA SHEET Coffee Maker

Model no:

EB30PSX1

(refer page 2 for metric measurements)

Product Dimensions	inch
Ⓐ Overall height of product	18 1/2
Ⓑ Overall width of product	29 13/16
Ⓒ Overall depth of product	19 1/16
Ⓓ Height of chassis	17 7/16
Ⓔ Width of chassis	22 1/16
Ⓕ Depth of chassis	17 6/16
Ⓖ Depth of coffee maker front frame and control panel	1 9/16
Ⓗ Height of control panel	3 15/16
Ⓘ Height from top of lower front panel to bottom of product	3 7/8
Ⓚ Height from top of control panel to top of chassis	1/2
Ⓛ Maximum extension of coffee maker*	17 1/8
Ⓜ Height from bottom of chassis to bottom of lower trim	5/8

Minimum Clearances	inch
Minimum inside cavity height from bottom of chassis**	17 3/4
Cavity width between additional sidewalls***	22 1/16
Minimum inside cavity depth from front of chassis****	21 1/2
Rear ventilation depth*****	2
Rear ventilation width*****	22 1/16

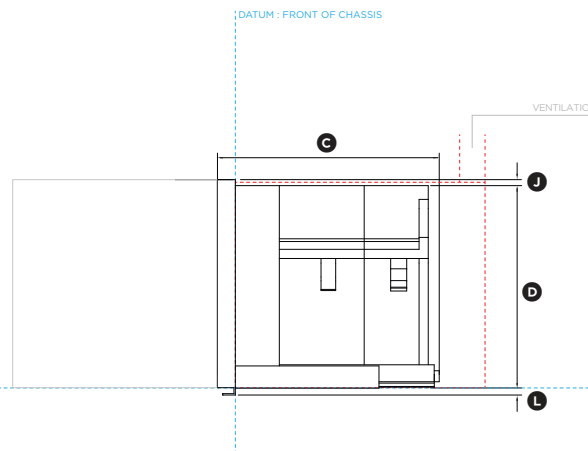
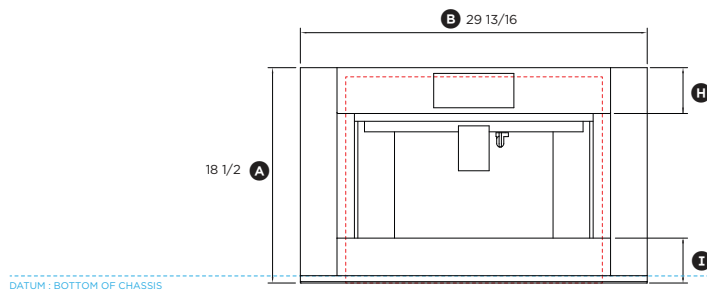
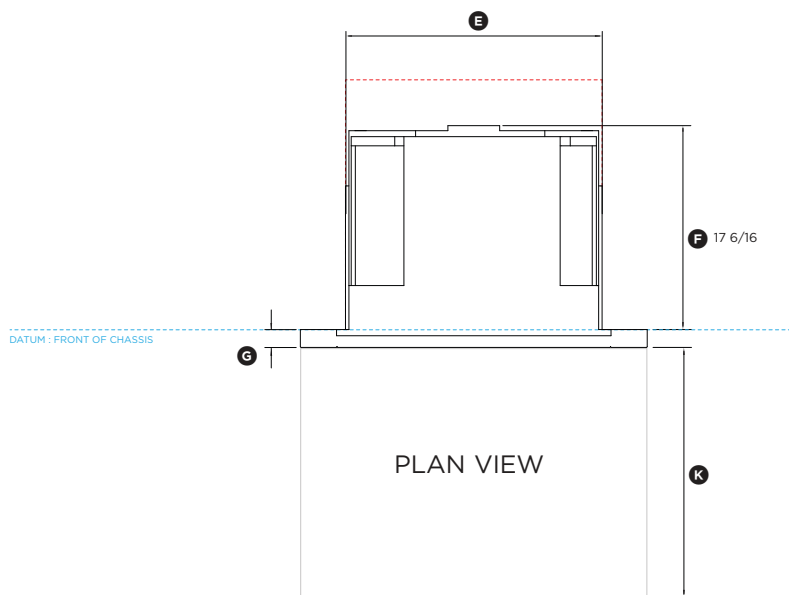
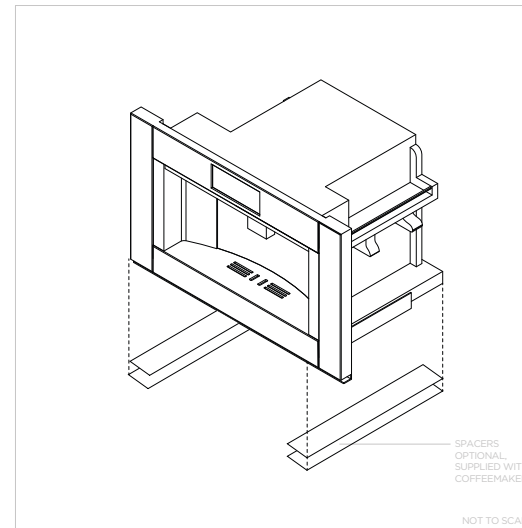
*For refilling coffee and accessing accessories /power switch.

**A spacer may be required in the base of the cavity. For more information on clearances, refer to installation guide.

***Additional vertical sidewalls are required to secure the product, refer to installation guide.

****Flush Installation possible. Depending on cabinet panel thickness a rebate around front frame might be required, refer to installation guide.

*****Rear ventilation totalling 43.4in² is required. The air vent must be located at the rear of cabinet, it can be positioned at the base, sides, back or top of the cavity.



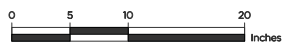
FRONT VIEW

PROFILE VIEW

INDICATES CABINETRY / PRODUCT DATUM -----
INDICATES CABINETRY CLEARANCES - - - - -

DATE: 18.10.2021

IMPORTANT NOTE: Throughout this guide, dimensions may vary by ±2mm (1/16"). Please read the installation guide for detailed information on installing the product. For full installation instructions & specifications visit fisherpaykel.com



FISHER & PAYKEL

DATA SHEET Coffee Maker

Model no:

EB30PSX1

(refer page 1 for imperial measurements)

Product Dimensions	mm
Ⓐ Overall height of product	470
Ⓑ Overall width of product	757
Ⓒ Overall depth of product	484
Ⓓ Height of chassis	442
Ⓔ Width of chassis	560
Ⓕ Depth of chassis	445
Ⓖ Depth of coffee maker front frame and control panel	39
Ⓗ Height of control panel	100
Ⓙ Height from top of lower front panel to bottom of product	98
Ⓚ Height from top of control panel to top of chassis	13
Ⓛ Maximum extension of coffee maker*	435
Ⓜ Height from bottom of chassis to bottom of lower trim	15

Minimum Clearances	mm
Minimum inside cavity height from bottom of chassis**	450
Cavity width between additional sidewalls***	560
Minimum inside cavity depth from front of chassis****	545
Rear ventilation depth*****	50
Rear ventilation width*****	560

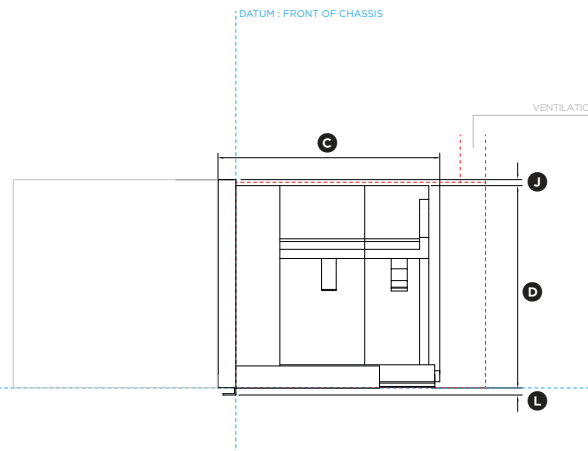
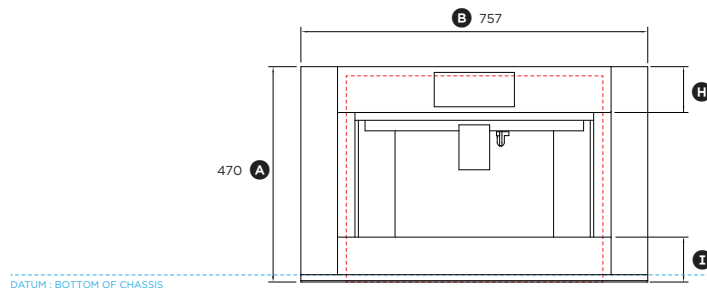
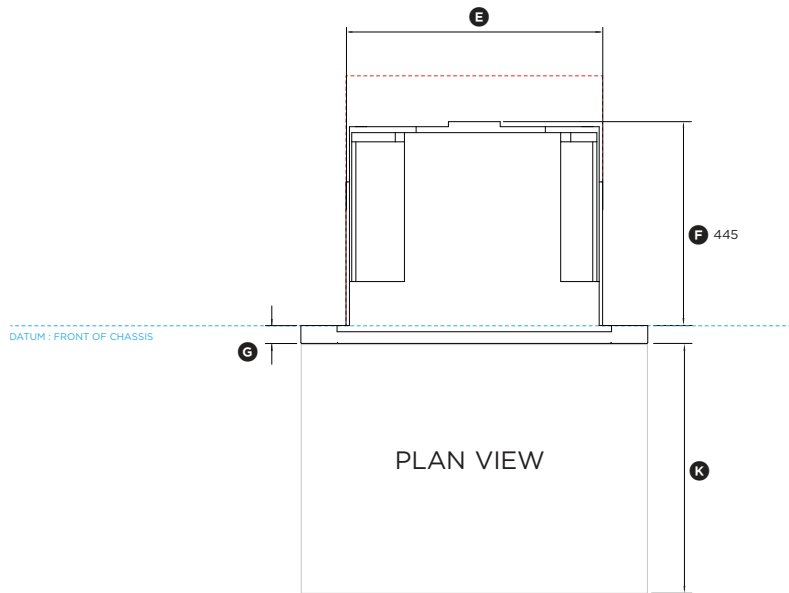
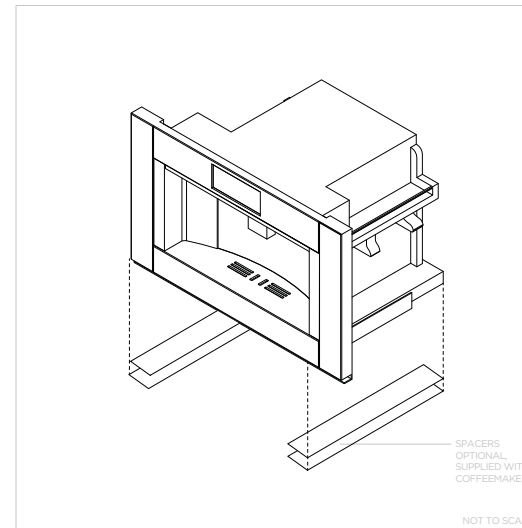
*For refilling coffee and accessing accessories /power switch.

**A spacer may be required in the base of the cavity. For more information on clearances, refer to installation guide.

***Additional vertical sidewalls are required to secure the product, refer to installation guide.

****Flush installation possible. Depending on cabinet panel thickness a rebate around front frame might be required, refer to installation guide.

*****Rear ventilation totalling 280cm² is required. The air vent must be located at the rear of cabinet, it can be positioned at the base, sides, back or top of the cavity.



FRONT VIEW

PROFILE VIEW

INDICATES CABINETRY / PRODUCT DATUM -----
INDICATES CABINETRY CLEARANCES - - - - -

DATE: 18.10.2021

IMPORTANT NOTE: Throughout this guide, dimensions may vary by ±2mm (1/16"). Please read the installation guide for detailed information on installing the product. For full installation instructions & specifications visit fisherpaykel.com

