

Heat Pump Dryer, 9kg

Series 7 | Heat Pump

White

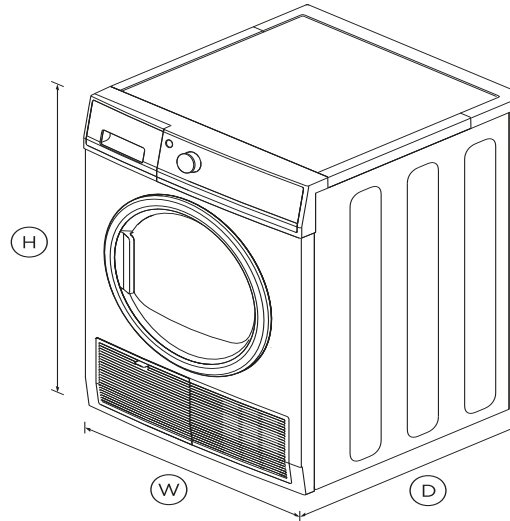


Better energy efficiency and fabric care with heat pump condensing technology, which dries your clothes at a lower temperature.

- 13 dry cycles, including Delicate, Wool and Easy Iron
- Auto-sensing detects moisture levels to prevent under or over drying
- No need for external venting, allowing your dryer to be placed anywhere in your home

DIMENSIONS

Height	850mm
Width	600mm
Depth	670mm



FEATURES & BENEFITS

13 FABRIC CARE CYCLES

Select the right cycle for any fabric type, from the most precious and delicate to those heavier essential items.

HEAT PUMP TECHNOLOGY

Heat pump technology dries at lower temperatures for gentle fabric care and because moisture is condensed, no venting is required. This is an ideal dryer for laundries where venting is difficult as it can be placed almost anywhere in the home.

TOO PRECIOUS TO TUMBLE?

The drying rack is designed for items that can't be tumble dried. It fits easily into the dryer and delivers the perfect result for those precious delicates, shoes and toys.

SPORTS CYCLE

The low heat Sports cycle is perfect for whatever the game throws at you, and ensures that your gear is ready for the next one.

BULKY CYCLE

Longer periods of cooling in between heat evenly dries large items like doonas and ski jackets.

DESIGNED TO MATCH

The Heat Pump Condensing Dryer is designed to match beautifully with any Fisher & Paykel front loader washing machine, creating the perfect pair to deliver complete fabric care.

SPECIFICATIONS

Consumption

Energy rating	5 ticks
---------------	---------

Dry Cycles

Bulky	•
Cool air	•
Delicate	•
Easy Iron	•
Everyday	•
Heavy	•
Number of cycles	13
Rack dry	•
Sheets	•
Sports	•

Time dry	•
Towels	•
Wool	•

Features

Child/Keylock	•
Clean condenser filter	•
Clean door lint filter reminder	•
Damp dry signal	•
Drum light	•
Drying rack	•
Easy access lint filter	•
Easy clean condenser filter	•
End of cycle signal	•
No external venting	•
Progress indicator	•
Removable water tank	•
SmartTouch™ control dial	•
Stainless steel drum	•
Time to go	•
Wrinkle free option	•

Performance

Auto sensing	•
Dryness settings	5
Heat pump technology	•
Reverse tumbling	•
Temperature settings	4
Time dry	30,40,50... 150 mins

Product dimensions

Depth	670mm
Height	850mm
Width	600mm

Warranty

Parts and labour	2 years
------------------	---------

SKU	92271
-----	-------

The product dimensions and specifications in this page apply to the specific product and model. Under our policy of continuous improvement, these dimensions and specifications may change at any time. You should therefore check with Fisher & Paykel's Customer Care Centre to ensure this page correctly describes the model currently available. ? Fisher & Paykel Appliances Ltd 2020

Other product downloads available at fisherpaykel.com

[↓](#) Service & Warranty

**A PEACE OF MIND SALE**

24 Hours 7 Days a Week Customer Support

T +65 6741 0777 W www.fisherpaykel.com