

Wine Cabinet, 60cm, 38 Bottle

Series 7 | Contemporary

Stainless Steel

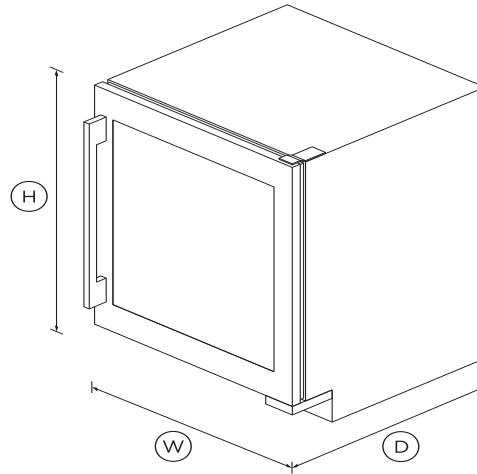


Designed to match our family of products, our stylish stainless steel wine cabinet provides a stable temperature and humidity for any varietal.

- 38 bottle capacity
- With dual temperature zones, to ensure you can perfectly store wines of all varieties
- Brushed metal handle and timeless stainless steel design

DIMENSIONS

| | |
|--------|-------|
| Height | 830mm |
| Width | 595mm |
| Depth | 580mm |



FEATURES & BENEFITS

Seamless pairing

Our wine cabinets are designed to match the Fisher & Paykel family of products, with stylish brushed stainless steel and glass doors that complement any kitchen.

Total Control

Maintaining the perfect environment for your red and white wines is easy with dual zones in your wine cabinet. The control panel gives you the ability to set each zone to between 5°C and 20°C and to adjust LED lighting and fans.

Storage Perfected

The fan helps circulate air inside your wine cabinet while oak shelves and a low vibration compressor ensure optimal storage. The UV tempered glass door reduces the risk of external light affecting your wine.

Complete Visibility

Your wine collection is always on display through UV tempered glass with a demist function and LED lighting. Bottles nestle on stylish oak slide out shelves and a top shelf tilts so you can showcase your favourite wines.

SPECIFICATIONS

Capacity

| | |
|-------------------|------|
| Number of bottles | 38 |
| Total net volume | 122L |

Consumption

| | |
|----------------------|-----------------|
| Energy consumption | 132kWh/year |
| Energy rating | G |
| In-use energy carbon | 26.2kgCO2e/year |

Features

| | |
|-----------------------------|---|
| Fixed shelves | 3 |
| LED lighting | • |
| Low vibration compressor | • |
| Power on/off control | • |
| Removable solid oak shelves | 3 |
| UV tempered glass door | • |

Performance

| | |
|-----------|---|
| Door lock | • |
|-----------|---|

| | |
|-------------------------------|--------------|
| Dual Zone | • |
| Noise emissions | 42dBA |
| Noise emissions class | D |
| Temperature selectable 5-20°C | • |
| Touch sensitive control panel | • |

**A PEACE OF MIND SALE****24 Hours 7 Days a Week Customer Support****T 08000 886 605 W www.fisherpaykel.com****Product dimensions**

| | |
|--------|--------------|
| Depth | 580mm |
| Height | 830mm |
| Width | 595mm |

Warranty

| | |
|------------------|----------------|
| Parts and labour | 5 years |
|------------------|----------------|

| | |
|-----|-------|
| SKU | 26559 |
|-----|-------|

The product dimensions and specifications in this page apply to the specific product and model. Under our policy of continuous improvement, these dimensions and specifications may change at any time. You should therefore check with Fisher & Paykel's Customer Care Centre to ensure this page correctly describes the model currently available. ? Fisher & Paykel Appliances Ltd 2020