

# Freestanding French Door Refrigerator Freezer, 79cm, 519L, Ice & Water

Series 7 | Contemporary

Stainless Steel | French hinge

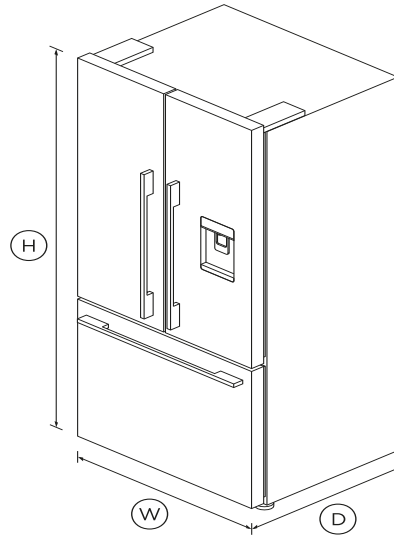


You'll have plenty of flexible storage space in this striking, large capacity French Door refrigerator freezer.

- ActiveSmart™ technology helps keep food fresher for longer by constantly maintaining the ideal temperature
- Door water dispenser and internal ice maker
- Spacious bottom freezer with full extension drawer gives easy access to frozen goods

## DIMENSIONS

Height	1715mm
Width	790mm
Depth	695mm



## SPECIFICATIONS

### Capacity

Total net volume	440L
Volume freezer	103L
Volume refrigerator	337L

### Consumption

Energy rating	1 tick
Energy usage	486kWh/year

## Features

- Door alarm
- Front levelling feet
- LED lighting
- Rear rollers
- SmartTouch control panel
- Ultra slim water dispenser

## Freezer Features

- Automatic ice maker
- Bottle chill
- Fast freeze
- Freezer bins **3**
- Ice Boost
- Ice bin and scoop

## Performance

- ActiveSmart™ Foodcare
- Adaptive defrost
- Frost free
- Frost free freezer
- Humidity control system
- Inverter controlled compressor
- R600a refrigerant

## Product dimensions

Depth	695mm
Height	1715mm

Width	790mm
-------	-------

---

**Warranty**

Parts and labour	2 years
------------------	---------

Sealed system parts only	5 years
--------------------------	---------

---

SKU	25435
-----	-------

---

The product dimensions and specifications in this page apply to the specific product and model. Under our policy of continuous improvement, these dimensions and specifications may change at any time. You should therefore check with Fisher & Paykel's Customer Care Centre to ensure this page correctly describes the model currently available. ? Fisher & Paykel Appliances Ltd 2020

---

**Other product downloads available at fisherpaykel.com**[Service & Warranty](#)[User & Installation Guide ActiveSmart Refrigerator](#)[Installation Guide](#)[Installation Guide - Surround Kit](#)[Data Sheet Freestanding French Door Fridge Freezer](#)**A PEACE OF MIND SALE****24 Hours 7 Days a Week Customer Support****T +65 6741 0777 W [www.fisherpaykel.com](http://www.fisherpaykel.com)**