

**INSTALLATION INSTRUCTIONS
USER GUIDE**

**安装说明书
用户指南**

**Box Canopy
T形吸油烟机**

HC90BHOXB1 model
HC90BHOXB1型

CN

Fisher & Paykel

English

中文

Page 1 - 18

第21-38页

Introduction	3
Safety and warnings	4
Installation instructions	5
About your rangehood	12
Operating instructions - Control panel	13
Cleaning and maintenance	14
Troubleshooting	16
Manufacturer's Warranty	18

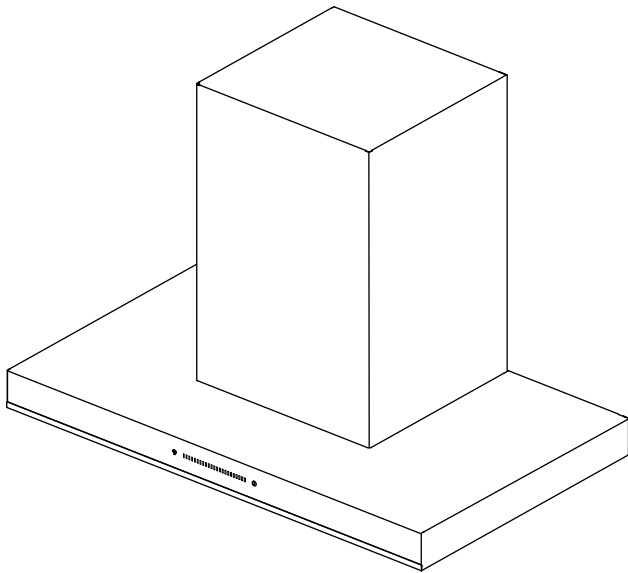
IMPORTANT!**SAVE THESE INSTRUCTIONS**

The models shown in this user guide may not be available in all markets and are subject to change at any time. For current details about model and specification availability in your country, please go to our website www.fisherpaykel.com or contact your local Fisher & Paykel dealer.

Thank-you for purchasing a Fisher & Paykel rangehood.

This user guide explains the features and functions, and will help you get the most out of your rangehood.

We hope you enjoy your new rangehood.





WARNING!



Electric Shock Hazard

Read and follow the safety and warnings outlined in this user guide before operating this appliance.

Never touch the power plug or electrical components, or manipulate the power switch with wet hands.

Altering of the internal wiring is strictly prohibited, unless performed by professional maintenance personnel.

When cleaning, never allow electrical components such as the motor, switch and connectors to get wet.

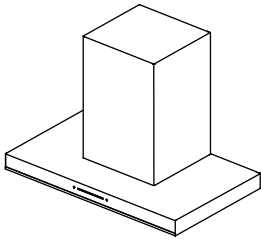
Failure to do so can result in death, electric shock, fire or injury to persons.

IMPORTANT SAFETY INSTRUCTIONS

WARNING! When using this appliance always exercise basic safety precautions including the following:

- Disconnect the power supply when cleaning or inspecting the product.
- Do not damage or place heavy objects on the power cord.
- There must be adequate ventilation of the room when the rangehood is used at the same time as appliances burning gas or other fuels. (A partial vacuum in the room could result in too high a concentration of gas in the air).
- Never expose the rangehood to a burner or element that is turned on without a pot or pan covering it.
- Never use aluminium foil on the cooktop.
- If using shared ducting, the air outlet must be well secured and sealed.
- Exhaust gases must not be discharged into a hot flue being used to vent appliances burning gas or other fuels.
- Do not flambé directly under the rangehood.
- Children and persons with reduced physical, sensory or mental capabilities shall not use the rangehood without supervision.
- There is a fire risk if cleaning is not carried out in accordance with the instructions.
- If installation is performed by an after-sales professional, the product should be tested to confirm proper operation, and the correct use of the product explained to the user.
- If the power cord is damaged, it must be replaced with a dedicated replacement power cord, or a new cord may be purchased from the manufacturer's customer service centre. The replacement must be carried out by the manufacturer or its service agent or a similarly qualified person.
- Use a dedicated power outlet; the power cord must not be connected to an extension cord or multi-socket power board. Secure grounding is required, and the power cord should be 1500 mm in length.
- Regulations regarding the discharge of air must be fulfilled.
- Remove all packaging, including protective wrappings, before use.
- **CAUTION:** Accessible parts may become hot when used with cooking appliances.

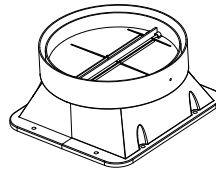
Contents of packaging



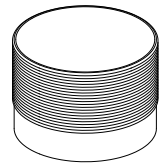
Rangehood (1)



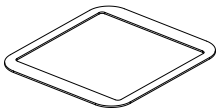
Installation instructions
User guide manual (1)



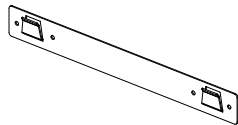
Check valve
assembly (1)



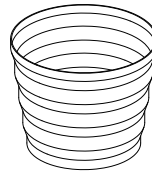
Universal ducting
hose (175)
(1)



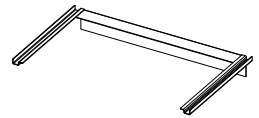
Check valve
gasket (1)



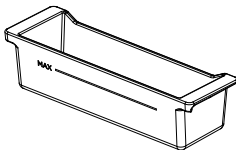
Wall plate (1)



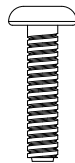
Adapter (1)



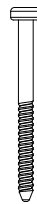
Inner decorative
cover holder (1)



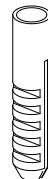
Oil receptacle (1)



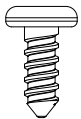
Cross recessed
pan head screw
M4 x 20
(8)



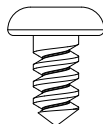
Mounting screw*
4 x 48
(7)



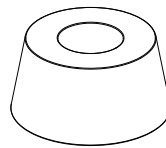
Expansion plug*
10 x 48
(7)



Self-tapping
screw ST3 x 8
(2)



Self-tapping
screw ST4 x 8
(2)

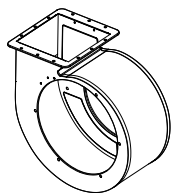


Support (2)

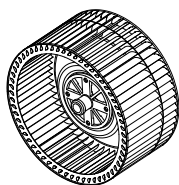
* The screws and plugs are to be used in concrete or brick walls only. Different fixings will be required for other types of wall construction.

INSTALLATION INSTRUCTIONS

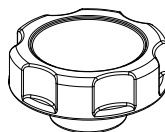
Names of principal components



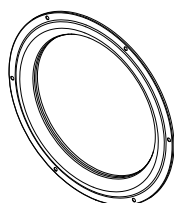
Volute



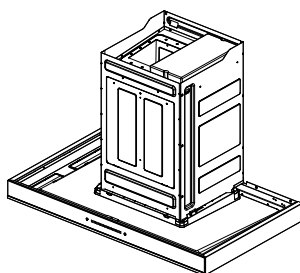
Fan



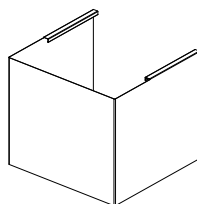
Hand-tightened
nut



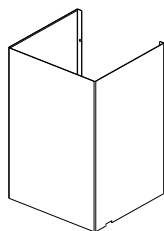
Intake ring



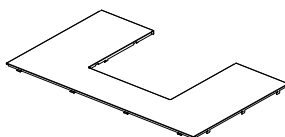
Main housing



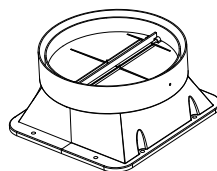
Inner decorative
cover



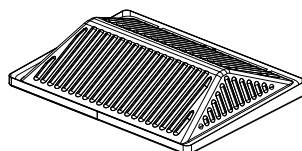
Outer decorative
cover



Top cover



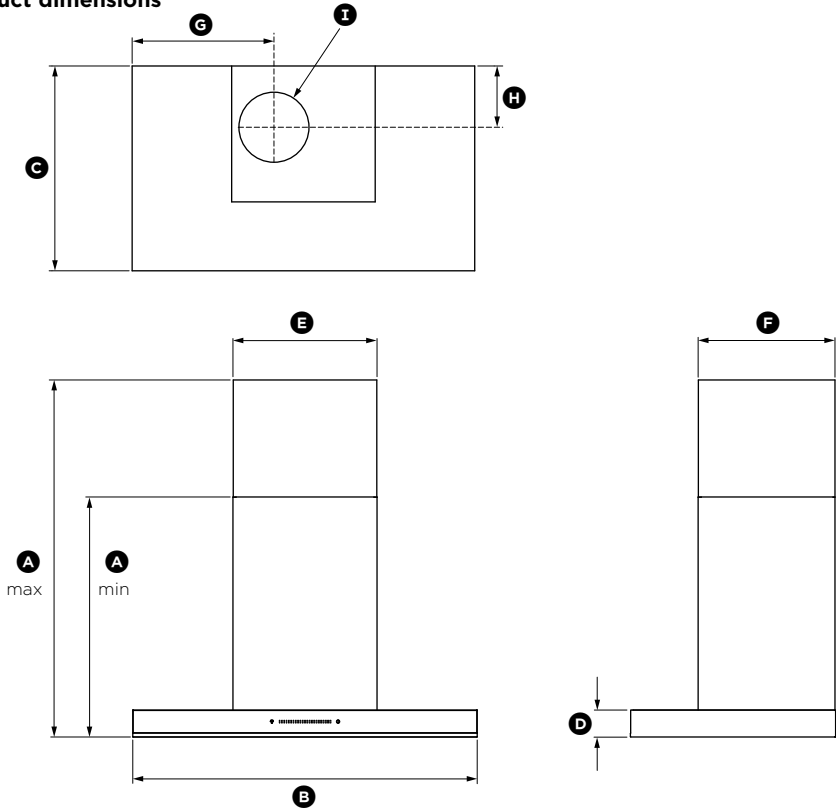
Check valve
assembly



Oil filter

Please read the entire instructions **before** installing the rangehood.

Product dimensions



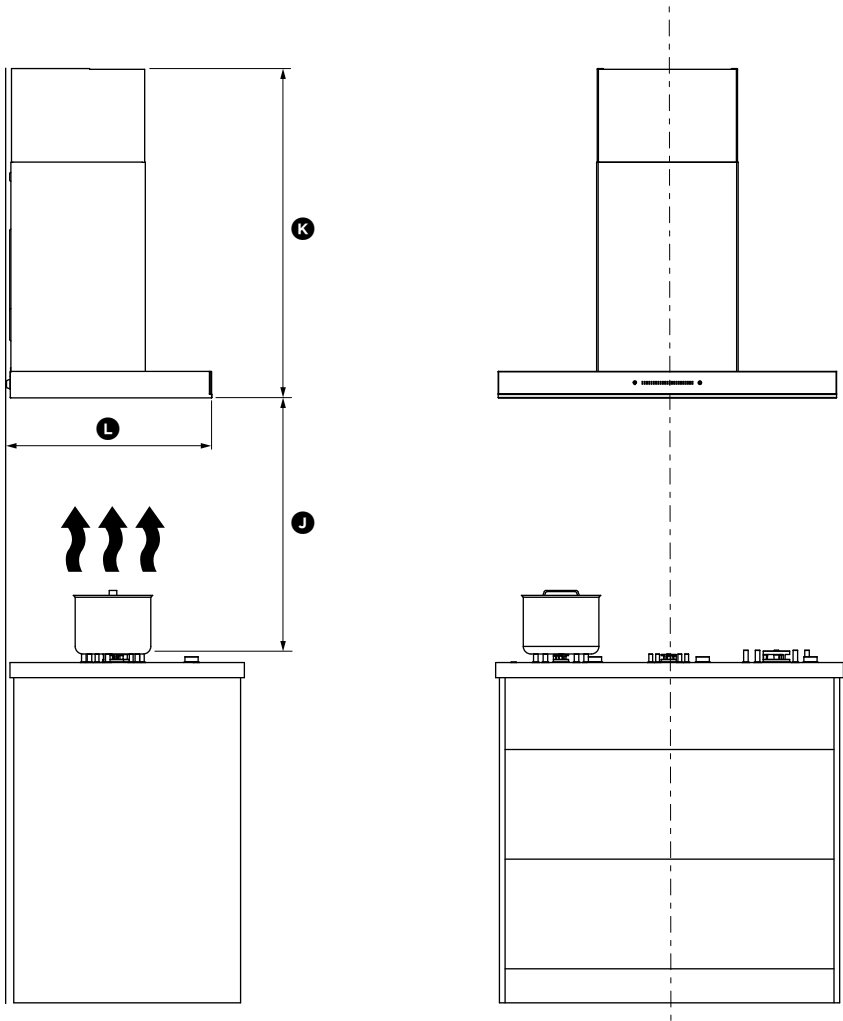
PRODUCT DIMENSIONS		mm
Ⓐ	Overall height of product	min. 625 – max. 930
Ⓑ	Overall width of product	895
Ⓒ	Overall depth of product	535
Ⓓ	Height of canopy	70
Ⓔ	Width of flue	375
Ⓕ	Depth of flue	355
Ⓖ	Centre of ducting to left edge of product	370
Ⓗ	Centre of ducting to back edge of product	160
Ⓘ	Outside diameter of check valve assembly	185

IMPORTANT!

Actual product dimensions may vary by ± 2 mm.

INSTALLATION INSTRUCTIONS

Height of rangehood



MINIMUM CLEARANCES

	mm
ⓐ Height top of gas cooktop to base of rangehood	min. 650 – max. 700
Ⓚ Height of rangehood installation if ducted through the ceiling	min. 625
if ducted through the rear	min. 825
Ⓛ Depth of rangehood installation	548

Installation

WARNING!

This product is heavy and requires two persons for installation.

WARNING!

Failure to install the screws or fixing device in accordance with these instructions may result in electrical hazards.

The manufacturer is not liable for any damage caused by not following these instructions.

① Prepare the rangehood for installation

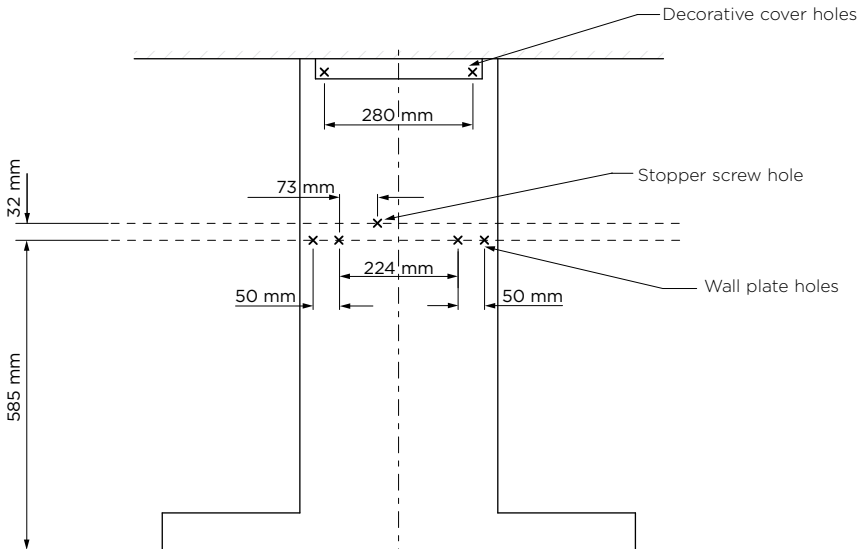
- Before commencement, unpack the rangehood and check that it functions correctly.
- The room in which the rangehood is used should be well ventilated and contain no flammable, explosive or corrosive materials or articles.
- The wall used for mounting the rangehood should have sufficient strength and a flat surface.
- When drilling holes in the wall, do so away from water, electricity or gas lines to prevent hazards such as electric shocks or gas leaks.
- Temporarily mark the height of the bottom of the rangehood and the centre of the cooktop on the wall according to the information given on page 8.

② Install the wall plate

- Use an impact drill with a Ø10 mm masonry bit to drill 55 mm deep holes in the wall in the locations of the wall plate holes and stopper screw hole as shown in Fig.1 and 2.
- Fit the expansion plugs into the holes.
- Secure the wall plate to the wall using the mounting screws.

③ Install the decorative cover holder (if inner decorative cover extension is to be used)

- Use an impact drill with a Ø10 mm masonry bit to drill 55 mm deep holes in the wall in the locations of the decorative cover holes as shown in Fig.1 and 2.
- Fit the expansion plugs into the holes.
- Secure the decorative cover holder to the wall using the mounting screws.



INSTALLATION INSTRUCTIONS

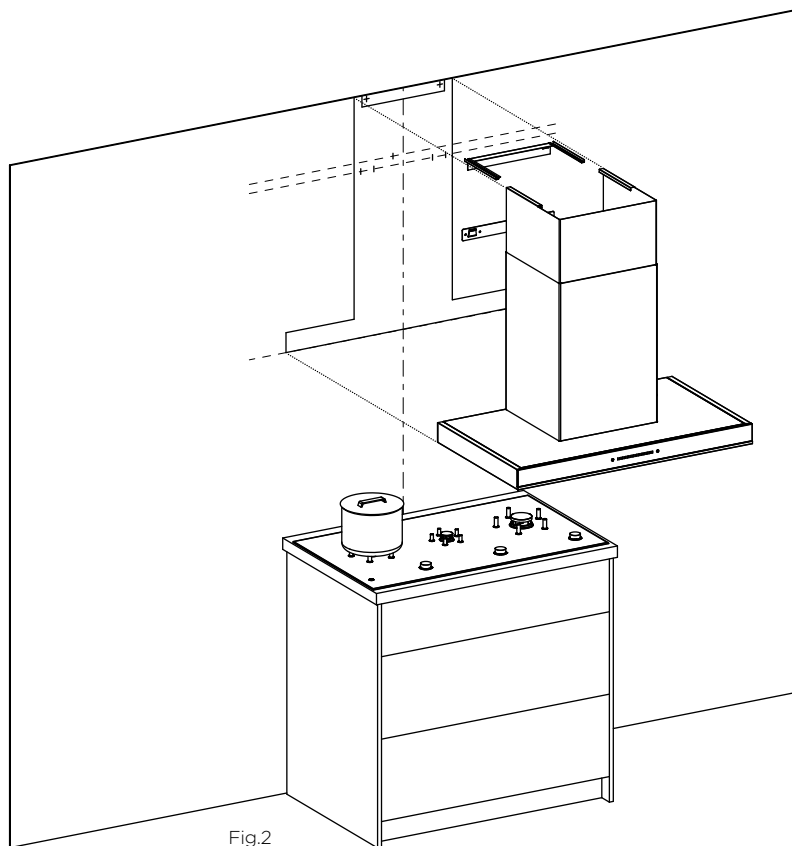


Fig.2

- ④ **Install the supports**
Attach the supports to the back of the rangehood as shown in Fig.3.

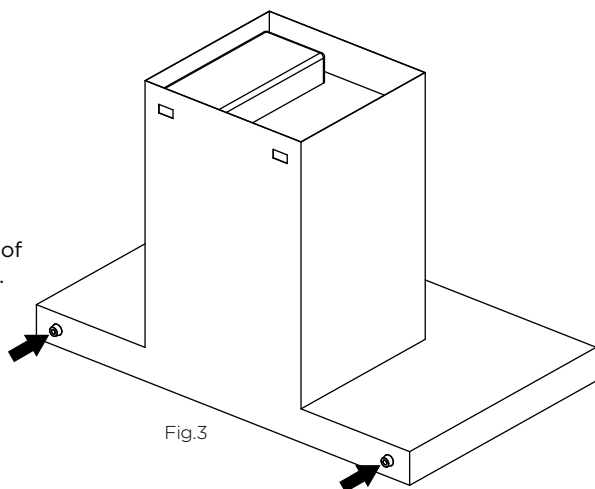


Fig.3

- ⑤ **Connect the check valve assembly**
Place the check valve gasket and check valve assembly onto the air outlet on top of the main unit, and screw in place using the 8 cross recessed pan head screws.
- ⑥ **Secure the main unit (this requires 2 persons)**
Attach the main unit to the wall plate. Ensure the main unit and wall plate are firmly locked together.
- ⑦ **Secure the stopper screw**
Screw in the stopper screw at the top of the housing, ensuring that the screw is tightly secured against the main unit.
- ⑧ **Connect the universal ducting hose**
 - Insert the unmarked end of the universal ducting hose into the recess of the check valve, and secure to the check valve assembly with the self-tapping screws.
 - Connect the other end of the ducting hose to a shared flue or external wall hole.
 - The length of the universal ducting hose should not exceed 3 metres to prevent impact on venting performance. The number of bends should be minimised. Flexible ducting should be stretched tight and trimmed to suit the installation.
- ⑨ **Extend the inner decorative cover (if inner decorative cover extension is to be used)**
Pull the inner decorative cover up and hook it onto the decorative cover holder.
- ⑩ **Fit the oil receptacle**
 - Slide the oil receptacle into the slot on the oil filter as shown in Fig.4.
 - Make sure the oil receptacle is pushed all the way in.

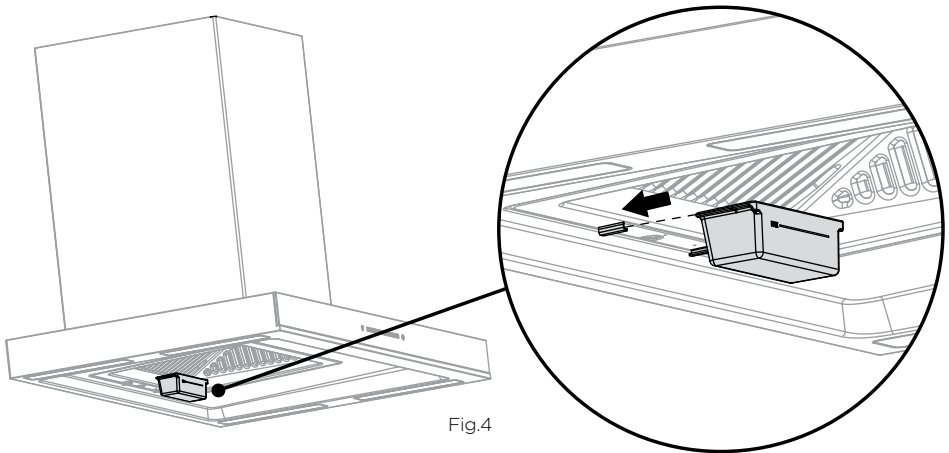


Fig.4

- ⑪ **Remove packaging**
Remove all protective wrappings.

ABOUT YOUR RANGEHOOD

Technical data

Lighting	1 W x 4
Type of power	Rated voltage : 220 V, Rated frequency : 50 Hz
Motor input power	150 W
Rated input power	154 W
Maximum air flow	(18 ± 10%) m ³ / min
Air pressure	Maximum air pressure: ≥320 Pa At air flow of 7 m ³ / min: ≥220 Pa
Noise	68 dB (A)
Universal ducting hose	Outer diameter 175 mm, length 1500 mm
Net weight	28 kg
Odour removal efficiency	Nominal ≥95% Instantaneous ≥75%
Grease separation	≥85%
Off power	≤1 W
Standby power	≤2 W
Total pressure efficiency	35%
Energy efficiency rating	1st grade

Product is compliant with safety standard GB4706.1 and GB4706.28



CONTROL PANEL FEATURES



Turns the rangehood on or off.

When turning off the rangehood the fan will continue to run for 3 minutes before turning off automatically. Pressing the power button a second time will turn the fan off immediately.



Controls the fan speed. Swipe towards the right hand side to increase the fan speed.



Turns the lights on or off.

We recommend turning your rangehood on before starting cooking for optimal performance.

CLEANING AND MAINTENANCE

We recommend following 'Cleaning and maintenance' instructions for safety and optimal performance of your rangehood.

Preparation for cleaning and maintenance

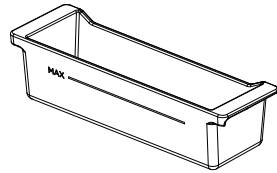
- Be sure to unplug the power cord before commencing cleaning or servicing of the rangehood.
- Always wear rubber gloves during cleaning and maintenance to guard against injury from sharp metal parts.
- Always handle removed parts carefully to avoid damaging them.
- Clean and service your rangehood regularly, depending on the frequency of use.

Cleaning the main housing (daily)

- The outer surface of the rangehood and filter should be wiped every day after use.
- To protect the stainless steel finish, use a neutral detergent and a soft cloth. Never use hard brushes.
- Never wipe surfaces with corrosive chemicals such as gasoline or alcohol, or abrasive cleaning agents.

Cleaning the oil receptacle (as necessary)

- When the oil receptacle reaches the 'MAX' mark, it should be removed promptly to avoid overflow.
- Pull the oil receptacle straight out to detach it from the filter.
- Empty the oil receptacle.
- The oil receptacle should be washed in warm water with detergent (do not use corrosive chemicals).
- To replace the oil receptacle slide it into the slot on the filter and ensure it is pushed all the way in.



Cleaning the oil filter (weekly)

- Remove oil receptacle (refer to instructions above).
- Loosen the screw securing the oil filter.
- The oil filter should be washed in warm water with detergent and left to soak. Wipe clean with a rag and rinse with fresh water.
- The inner part of the filter and the filter recess in the main housing should be cleaned every week.
- To reassemble; align the tabs and angle the filter into the recess as shown in Fig.5. Insert the screw and tighten it using a screwdriver.
- Slide oil receptacle into the slot on the filter and ensure it is pushed all the way in.

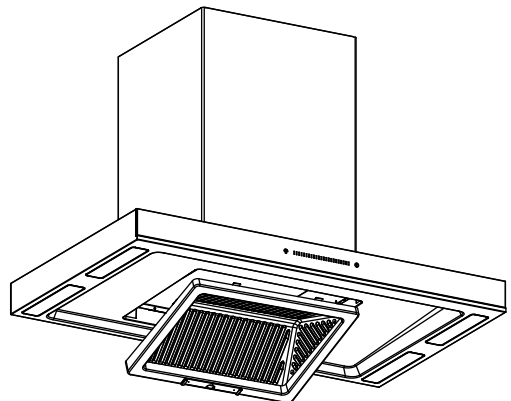
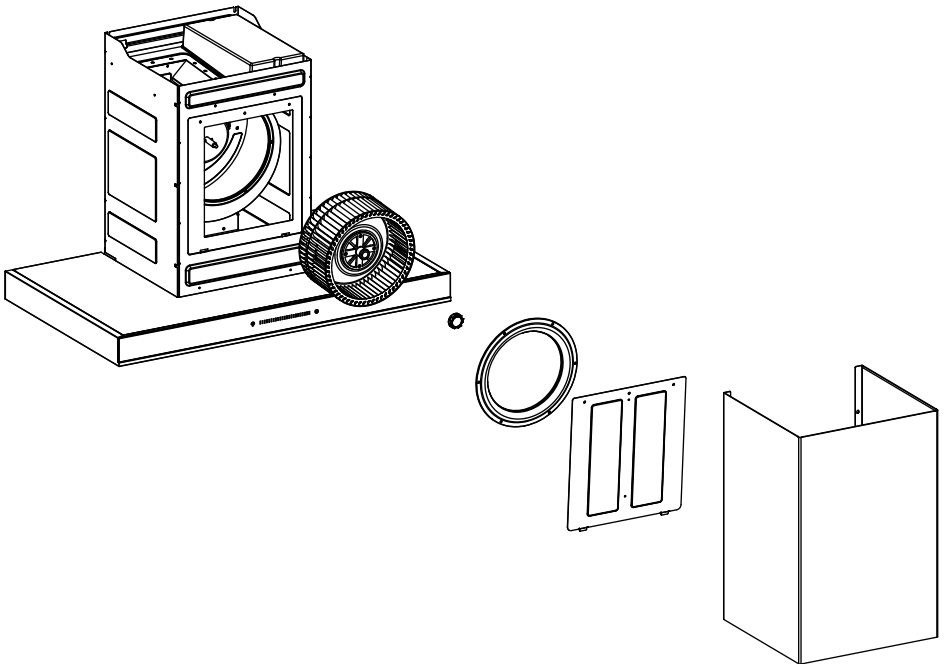


Fig.5



Cleaning the fan (every 3 months) (this requires 2 persons)

- Remove the oil receptacle.
- If the inner decorative cover has been extended, unhook it from the decorative cover holder and slide it back down between the main housing and outer decorative cover.
- Loosen the screws attaching the ducting to the check valve assembly and remove the ducting from the check valve assembly.
- Loosen the stopper screw and detach the main unit from the wall plate.
- Remove the 4 screws that secure the outer decorative cover and remove the outer and inner decorative covers.
- Loosen the screws holding the main housing cover plate and remove the cover plate.
- Loosen the screws holding the intake ring and remove the intake ring.
- Twist the nut in a clockwise direction to remove the fan.
- Take particular care when cleaning the fan that the clips on the blades are not moved or lost, as this will imbalance the fan and cause vibration of the entire rangehood, leading to increased noise.
- To reassemble replace the parts in reverse order of disassembly.
- The fan should be cleaned once every 3 months.



Cleaning the entire unit (every 6 months) (this requires 2 persons)

- The entire unit should be cleaned once every six months so as to maintain venting performance and ensure a long service life.
- Unplug the power cord if the rangehood will not be used for a prolonged period of time.

TROUBLESHOOTING

Solutions for common faults

In case of a fault, first try the suggestions below. If the problem cannot be fixed, please get in touch with your local Fisher & Paykel after-sales service centre. Only professional technicians may dismantle and repair the rangehood.

PROBLEM	POSSIBLE CAUSE	WHAT TO DO
No power.	Power supply plug is not plugged in or not properly connected.	Connect the power plug.
	No power is supplied to the electrical outlet.	Restore the power supply or contact an electrician for repair.
	Power is not connected or a fuse is blown.	Restore or contact an electrician for repair.
Product not working.	The power supply is not connected, or the voltage is incorrect.	Restore the power supply or contact an electrician for repair.
	No fan speed has been selected.	Select a fan speed.
Light not working.	Light button not pressed.	Press the light button.
	Light has burned out.	Replace the light (please contact the after-sales service centre).
Product vibrates.	Main unit is not securely fastened to wall.	Check that the main unit is fastened securely.
	Fan is not well fitted.	Fit the fan properly.
	Fan is damaged.	Replace the fan (please contact the service centre).
	Hand-tightened nut is loose.	Tighten the hand-tightened nut.
Poor suction.	Windows and doors are open too wide during use or are closed.	Open or close doors and windows as necessary to ensure venting performance.
	Rangehood body is not installed at the correct height.	Re-install the appliance at the required height.
	Universal ducting hose is too long, has not been stretched tight, or has too many bends.	Reduce the length of the ducting hose or the number of bends.
	Shared flue aperture is too narrow or the air outlet is poorly sealed.	Widen the flue aperture or improve the outlet sealing.
	The check valve blade is stuck and cannot function properly.	Fix the blade and ensure the valve is working correctly.
	Rangehood has not been cleaned.	Clean the rangehood in accordance with the instructions.

PROBLEM	POSSIBLE CAUSE	WHAT TO DO
Oil leak.	Too much oil in the oil receptacle.	Remove waste oil in the oil receptacle.
	Oil filter has not been cleaned.	Clean the oil filter in accordance with the instructions.
	Main housing hasn't been cleaned.	Wipe the main housing every day after use in accordance with the instructions.
Filter is difficult to remove.	Filter and filter recess have not been cleaned.	Clean the filter and filter recess weekly in accordance with the instructions.

Note: if you are unable to fix the problem by following the above prompts, or one of the situations below occurs, please unplug the rangehood straight away and contact our after-sales service centre.

- ① The rangehood runs unevenly when turned on;
- ② The rangehood makes an unusual noise during operation;
- ③ Strange odours, heat or smoke are discovered, or other unusual circumstances not mentioned above occur.

The following phenomenon is not a malfunction

PHENOMENON	CAUSE
The product makes a clicking noise after the power is switched off for a few seconds.	Air pressure causes the two blades of the check valve to open during operation. After the power supply is switched off, the fan gradually stops rotating and the blades fall back by themselves, emitting a clicking noise.

MANUFACTURER'S WARRANTY

You automatically receive a 1 year Manufacturer's Warranty with the purchase of this box canopy covering parts and labour for servicing within the Peoples Republic of China.

Fisher & Paykel undertakes to:

Repair or, at its option, replace without cost to the owner either for material or labour any part of the product, the serial number of which appears on the product, which is found to be defective within ONE YEAR of the date of purchase.

Note: this Manufacturer's Warranty is an extra benefit and does not affect your legal rights.

This Manufacturer's Warranty DOES NOT cover

- (A) Service calls which are not related to any defect in the product. The cost of a service call will be charged if the problem is not found to be a product fault. For example:
 - ① Correcting the installation of the product.
 - ② Instructing you how to use the product.
 - ③ Replacing house fuses or correcting house wiring or plumbing.
 - ④ Correcting fault(s) caused by the user.
 - ⑤ Noise or vibration that is considered normal, eg drain/fan sounds, refrigeration noises or user warning beeps.
 - ⑥ Correcting damage caused by pests, eg rats, cockroaches, etc.
 - ⑦ Replacement light bulbs.
- (B) Defects caused by factors other than:
 - ① Normal domestic use; or
 - ② Use in accordance with the product's user guide.
- (C) Defects to the product caused by accident, neglect, misuse or 'act of God'.
- (D) The cost of repairs carried out by non-authorized repairers or the cost of correcting such unauthorised repairs.
- (E) Normal recommended maintenance as set out in the product's user guide.
- (F) Repairs when the appliance has been dismantled, repaired or serviced by other than a Fisher & Paykel Authorised Repairer or the selling dealer.
- (G) Pick-up and delivery.
- (H) Transportation or travelling costs involved in the repair when the product is installed outside the Fisher & Paykel Authorised Repairer's normal service area.

This product has been designed for use in a normal domestic (residential) environment. This product is not designed for commercial use (whatsoever). Any commercial use by a customer will affect this product's Manufacturer's Warranty.

Service under this Manufacturer's Warranty must be provided by a Fisher & Paykel Authorised Repairer. Such service shall be provided during normal business hours. This Manufacturer's Warranty certificate should be shown when making any claim.

Please keep this user guide in a safe place.

**Manufacturer:
Fisher & Paykel Appliances Ltd.
78 Springs Road
East Tamaki
Auckland
New Zealand**

简介	23
安全警告	24
安装说明	25
关于吸油烟机	32
使用说明 — 控制面板	33
清洁和维护	34
故障排除	36
制造商保修	38

重要!

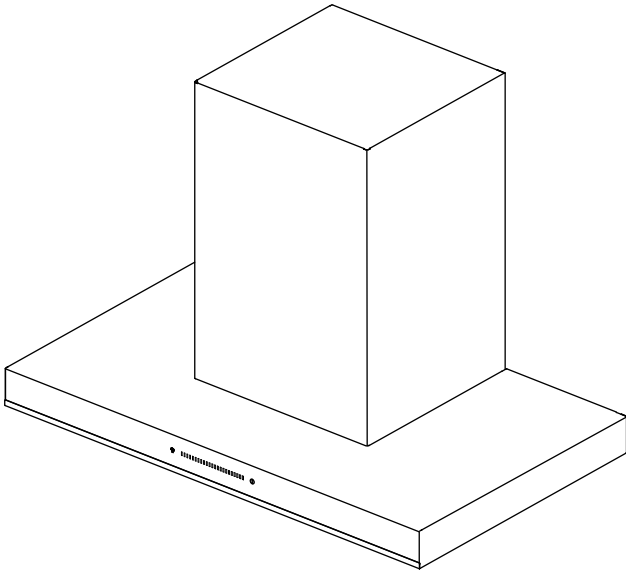
妥善保存本说明书

本用户指南所述的型号并非在所有市场上销售，随时会有变动。如要详细了解本国/本地区销售的型号和规格，请访问我们的网站www.fisherpaykel.com，或者联系当地的斐雪派克经销商。

感谢你购买斐雪派克吸油烟机。

本用户指南介绍吸油烟机的特性和功能，有助于你正确使用该产品。

我们希望你喜欢这款新吸油烟机。





警告!



有触电风险

在使用吸油烟机之前，务必仔细阅读并遵守本用户指南上的安全警告一节。

切勿触摸电源插头或电气元件，切勿用湿手操作电源开关。

除了专业维护人员，严禁改动内部布线。

在清洁吸油烟机时，切勿让电机、开关和连接器等电气元件受潮。

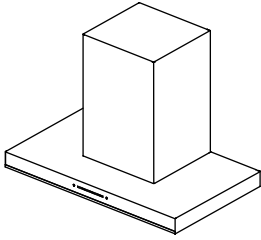
如不遵守这些安全须知，可能会造成人身伤亡、触电或火灾。

重要安全须知

警告! 在使用吸油烟机时，必须遵循基本的安全预防措施，包括：

- 在清洁或检查吸油烟机时必须断开电源。
- 切勿损坏电源线，切勿让重物压在电源线上。
- 在使用吸油烟机时，炉灶要燃烧燃气或其他燃料，必须确保室内通风良好。（室内通风不良会造成空气中的燃气浓度过高。）
- 点燃灶头时放上平底锅，切勿让吸油烟机暴露在高温下。
- 切勿在灶具上使用铝箔。
- 如果使用公用烟道，必须牢固固定并密封出风口。
- 排出的气体不应排到用于排出燃烧煤气或其他燃料的烟雾的热烟道中。
- 切勿在吸油烟机下方直接烧烤食物。
- 在无人照看的情况下，请勿让儿童或身体虚弱的人使用吸油烟机。
- 如果不按说明书规定的方法清洁吸油烟机，可能会引发火灾。
- 如果吸油烟机由售后专业人员安装，安装人员应该测试吸油烟机，确认吸油烟机是否正常工作，并向用户说明如何正确使用吸油烟机。
- 如果电源线破损，必须用专用的备用电源线或向斐雪派克客户服务中心购买的电源线更换破损电源线。电源线必须由制造商、维修部或类似的专职人员进行更换。
- 使用专用电源插座；电源线不能连接延长线或多孔插座。必须固定好地线，电源线长度应该为1500mm。
- 必须遵守废气排放规定。
- 除去所有包装材料方可使用，包括起保护作用的塑料薄膜。
- 小心：在使用厨房电器过程中，可接触的部位会很烫。

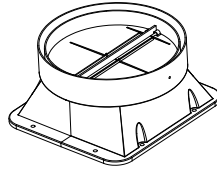
装箱单



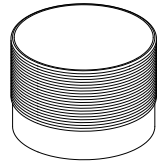
吸油烟机(1)



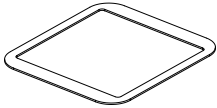
安装说明
用户指南手册(1)



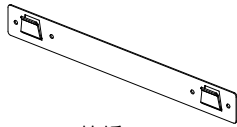
止回阀(1)



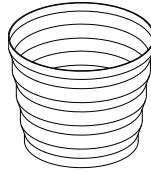
万向风管
(Ø175)
(1)



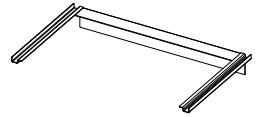
止回阀垫圈(1)



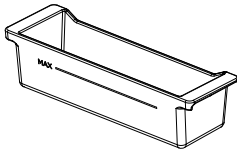
挂板(1)



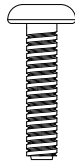
转接阀(1)



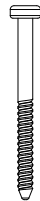
内装饰罩固定架(1)



油杯(1)



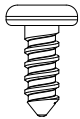
十字槽盘头螺丝
M4x20
(8)



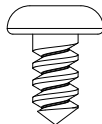
安装螺丝*
4x48
(7)



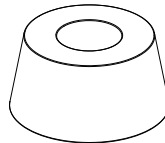
膨胀管*
10x48
(7)



自攻螺丝
ST3x8
(2)



自攻螺丝
ST4x8
(2)

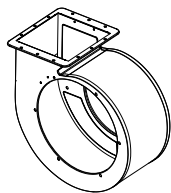


支脚(2)

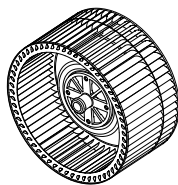
*安装螺丝和膨胀管只能用在混凝土墙或砖墙上。如果墙壁是其他材料，需要使用不同的紧固件。

安装说明

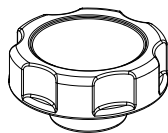
主要部件的名称



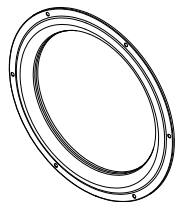
蜗壳



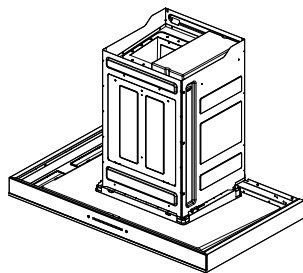
风扇



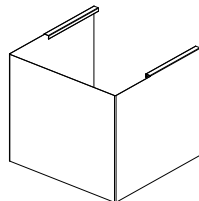
手紧螺母



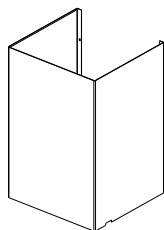
进风圈



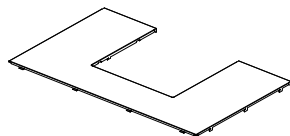
主机外壳



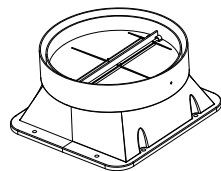
内装饰罩



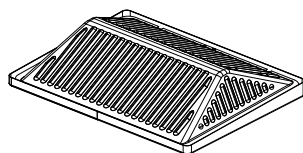
外装饰罩



顶盖



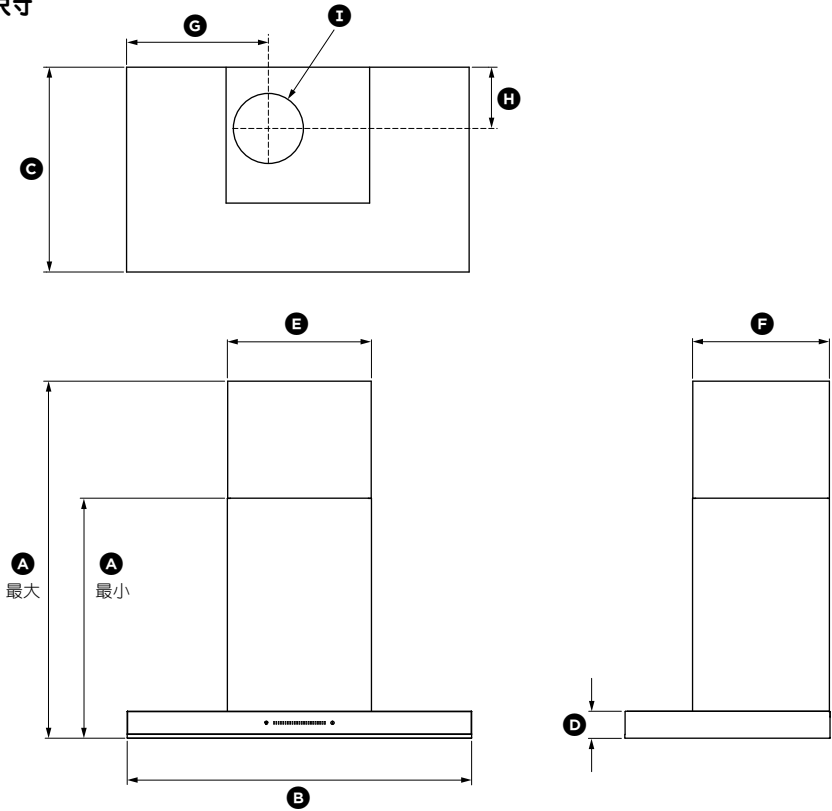
止回阀



滤油器

请在安装吸油烟机之前通读安装说明书。

产品尺寸

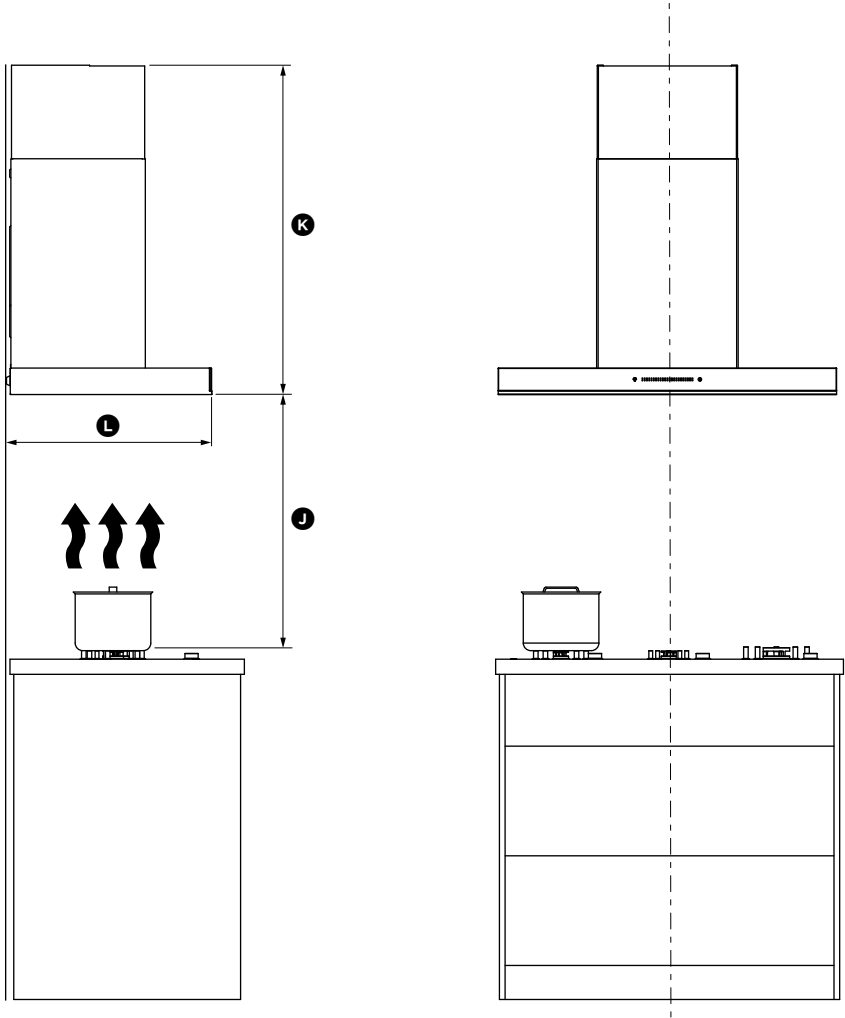


产品尺寸	mm
Ⓐ 产品总高度	最小625 — 最大930
Ⓑ 产品总宽度	895
Ⓒ 产品总深度	535
Ⓓ 集烟腔高度	70
Ⓔ 外装饰罩宽度	375
Ⓕ 外装饰罩深度	355
Ⓖ 烟管中心到吸油烟机左边沿	370
Ⓗ 烟管中心到吸油烟机后边沿	160
Ⓘ 止回阀外径	185

重要!

实际产品尺寸可能会相差±2mm。

吸油烟机高度



最小间隙

	mm
ⓐ 燃气灶顶面到吸油烟机底面的高度	最小650 — 最大700
ⓑ 吸油烟机安装高度 如果方向风管经过天花板 如果方向风管经过背面	最小625
	最大825
ⓒ 吸油烟机安装深度	548

安装

警告!

吸油烟机很重，安装时需要两个人配合。

警告!

如果不根据下列说明安装螺丝或紧固件，可能会造成触电。

制造商对不遵守下列说明造成的任何损害不承担任何责任。

① 准备安装吸油烟机

- 在开始安装之前打开吸油烟机包装，然后检查吸油烟机是否正常工作。
- 安装吸油烟机的厨房应该通风良好，没有易燃易爆物或腐蚀性材料或物品。
- 吸油烟机安装墙壁应该有足够大的强度，且安装面平整。
- 在墙壁上钻孔时，要远离水管、电缆或气管，以免发生触电或燃气泄漏等危险。
- 根据第28页给出的信息，在墙上标出吸油烟机底面的高度和炉灶中心位置。

② 安装挂板

- 如图1和图2所示，用冲击钻和 $\varnothing 10\text{mm}$ 水泥钻头在墙上挂板螺孔所在位置和止动螺丝孔所在位置钻55mm深的孔。
- 把膨胀管插入孔里。
- 用安装螺丝把挂板固定在墙上。

③ 安装内装饰罩固定架（如果必须使用内装饰罩延长配件）

- 如图1和图2所示，用冲击钻和 $\varnothing 10\text{mm}$ 水泥钻头在墙上装饰罩螺孔所在位置钻55mm深的孔。
- 把膨胀管插入孔里。
- 用安装螺丝把内装饰罩固定架固定在墙上。

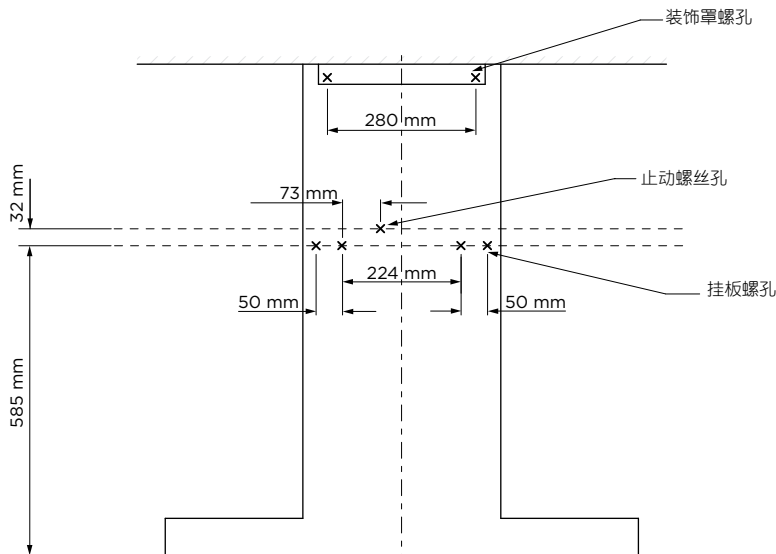


图1

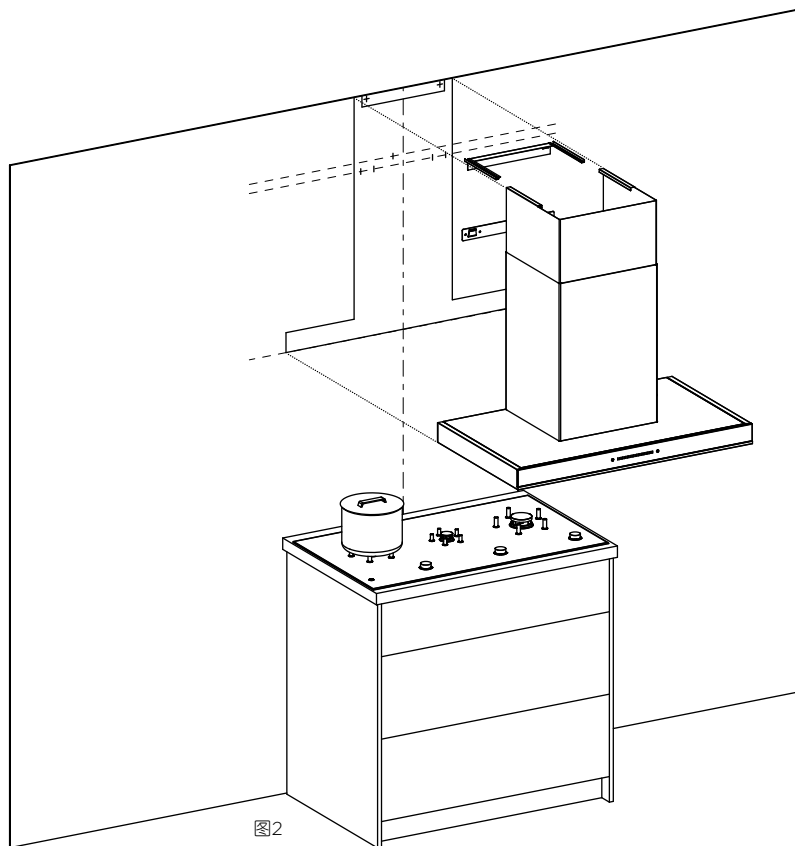


图2

- ④ 安装支脚
如图3所示，把支脚安装在吸油烟机后面。

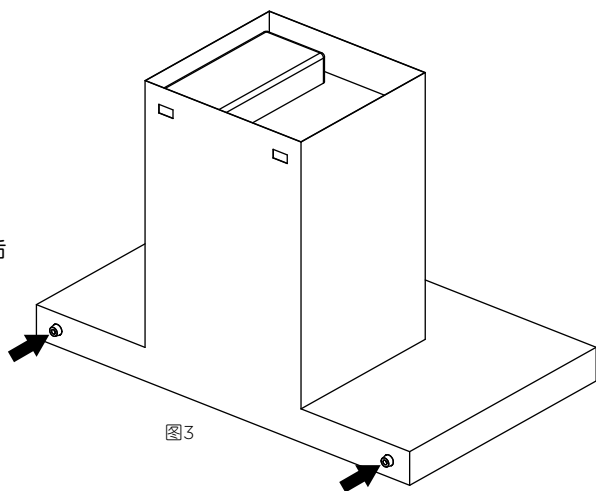
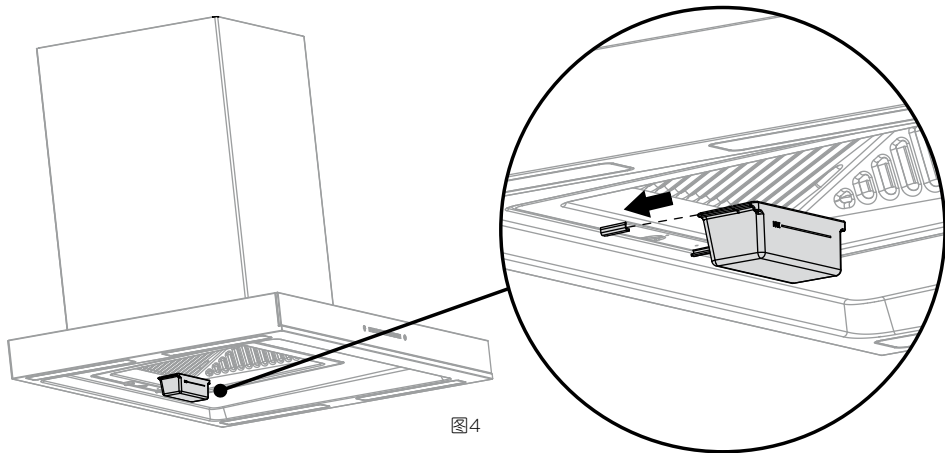


图3

- ⑤ 连接止回阀
把止回阀垫圈和止回阀放在主机顶上的出气口上，然后用8个十字槽盘头螺丝固定止回阀。
- ⑥ 固定主机（需要两个人配合）
把主机挂在墙上的挂板上。确保主机牢牢卡在挂板上。
- ⑦ 拧紧止动螺丝
拧紧外壳顶上的止动螺丝，要确保拧紧螺丝固定住主机。
- ⑧ 连接万向风管
 - 把万向风管无标记的一端插入止回阀槽内，然后用自攻螺丝把它固定在止回阀上。
 - 把万向风管的另一端插入共用烟道或外墙上的排气孔里。
 - 万向风管的长度不应超过3米，以防它影响抽油烟效果。应该尽量减少万向风管弯数。应该把万向风管拉直，然后按安装要求裁切成合适的长度。
- ⑨ 加长内装饰罩（如果必须使用内装饰罩延长配件）
向上拉内装饰罩，把它钩在装饰罩固定架上。
- ⑩ 安装油杯
 - 如图4所示，把油杯滑进滤油器上的卡槽。
 - 确保把油杯推到位。



- ⑪ 除去包装材料
除去所有起保护作用的塑料薄膜。

关于吸油烟机

技术数据

照明	1W x 4
电源种类	额定电压：220V~，额定频率：50Hz
电机输入功率	150W
整机额定输入功率	154W
最大风量	(18±10%) m ³ /min
风压	最大风压：≥320Pa 风量为7m ³ /min时风压：≥220Pa
噪音	68dB (A)
万向风管	外径175mm，长度1500mm
净重	28kg
气味降低度	常态气味降低度≥95% 瞬时气味降低度≥75%
油脂分离度	≥85%
关机功率	≤1W
待机功率	≤2W
全压效率	35%
能效等级	1级

吸油烟机符合GB4706.1标准和GB4706.28标准规定的要求。



控制面板功能



开关吸油烟机。

在电机运转的过程中，按此键延时运行3分钟，然后自动关机。延时过程中再按此键，立刻关机。



控制风扇转速。向右滑动或点触增大风扇转速。



开关照明灯。

为了确保抽油烟效果最佳，建议你先接通吸油烟机电源，然后开始烹饪。

清洁和维护

为了确保吸油烟机安全和抽油烟效果最佳，建议你遵守**清洁和维护**说明。

准备清洁和维护

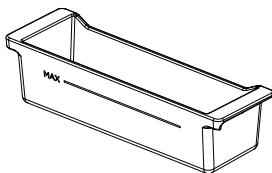
- 切记先拔掉电源插座，然后开始清洁或维修吸油烟机。
- 在清洁和维护吸油烟机时始终要戴橡胶手套，防止锋利的金属零件划伤手指。
- 始终要仔细处理拆卸下来的零件，避免损坏零件。
- 根据吸油烟机使用频率定期清洁和维护吸油烟机。

清洁主机外壳（每天）

- 每天使用吸油烟机之后应该擦拭吸油烟机和滤油器的外表面。
- 为了保护不锈钢表面光亮如初，要用软抹布和中性洗涤剂擦拭表面。切勿用硬刷子刷表面。
- 切勿用汽油或酒精等腐蚀性化学品或有研磨作用的清洁剂擦拭表面。

清洁油杯（必要时）

- 当油杯里的油位达到**最大**（MAX）标记时，应该立刻取出油杯清理干净，防止废油溢出。
- 向外拉油杯，把它从滤油器上拆下来。
- 倒空油杯。
- 应该用温水加洗涤剂清洗油杯（切勿使用腐蚀性化学品）。
- 安装油杯时，把它滑进滤油器上的卡槽，并确保推到位。



清洁滤油器（每个星期）

- 拆卸油杯（参看上述说明）。
- 松开滤油器固定螺丝。
- 应该用温水加洗涤剂清洗滤油器，要浸泡一段时间。用抹布擦洗滤油器，然后用自来水冲洗干净。
- 每个星期应该清洁一次滤油器内部零件和主机外壳上的滤油器开口。
- 如图5所示重新安装滤油器时，使滤油器卡爪卡进集烟腔开口处并安装到位，然后使用滤油器螺丝固定。
- 把油杯滑进滤油器上的卡槽，并确保推到位。

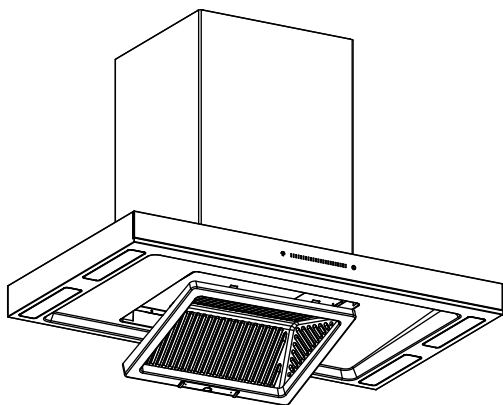
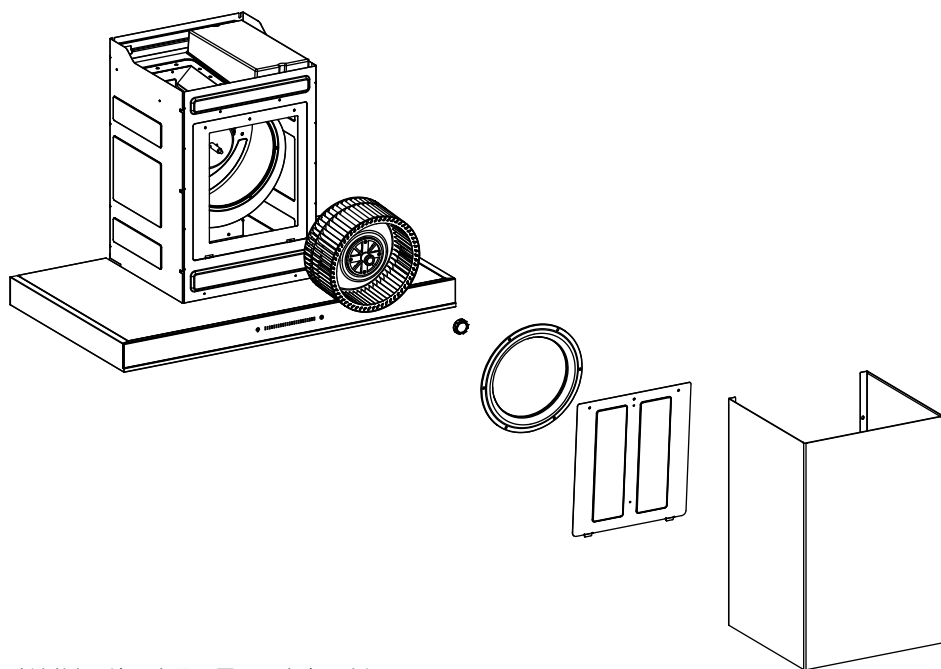


图5



清洁风扇（每3个月，需要两个人配合）

- 拆卸油杯。
- 如果内装饰罩加长了，把它从装饰罩固定架上取下来，然后在主机外壳和外装饰罩之间往回滑。
- 松开万向风管和止回阀固定螺丝，然后把万向风管从止回阀上拆下来。
- 松开止动螺丝，然后把主机从挂板上拆下来。
- 卸下4个外装饰罩固定螺丝拆卸外装饰罩和内装饰罩。
- 松开主机外壳盖板固定螺丝拆卸盖板。
- 松开进风圈固定螺丝拆卸进风圈。
- 按顺时针方向拧螺母拆卸风扇。
- 清洗叶轮时应特别小心，不可碰撞或丢掉叶片上的配重卡夹，以免叶轮的动平衡变差。造成整机震动，噪音增大。
- 重新安装风扇时，按相反顺序重新安装各个零件。
- 风扇应该每3个月清洁一次。



清洁整机（每6个月，需要两个人配合）

- 整机应该每6个月清洁一次，确保抽油烟效果良好，且使用寿命很长。
- 如果长时间不使用吸油烟机，要拔掉电源插头。

故障排除

常见故障排除

如果吸油烟机发生故障，先尝试根据下列建议排除故障。如果无法排除故障，请联系当地的斐雪派克售后服务中心。我们的专业技术人员前去拆卸并修理吸油烟机。

故障	可能的原因	解决办法
没有电。	电源插头未插上或接触不良。	插上电源插头。
	电源插座没有电。	恢复供电，或者联系电工前来维修。
	电源未接上或熔断器损坏。	恢复供电，或者联系电工前来维修。
吸油烟机不工作。	电源未接通或电压不正常。	恢复供电，或者联系电工前来维修。
	没有选择风扇转速。	选择一个风扇转速。
照明灯不亮。	没有按照照明灯按钮。	按照照明灯按钮。
	照明灯损坏	更换灯泡（请联系售后服务中心）。
吸油烟机震动。	主机悬挂不牢固。	检查主机是否牢牢固定住。
	风扇安装不当。	正确安装风扇。
	风扇损坏。	更换风扇（请联系售后服务中心）。
	手紧螺母太松。	拧紧手紧螺母。
抽吸效果差。	使用吸油烟机时门窗敞开过多或门窗关闭。	必要时开关门窗，确保抽油烟效果良好。
	吸油烟机主机安装高度错误。	把吸油烟机重新安装在要求的高度上。
	万向风管太长、没有拉直或弯太多。	缩短万向风管长度，或者减少转弯数。
	公用烟道入口太小，或者出气口密封不良。	加大烟道入口，或者改进出气口密封性能。
	止回阀叶片被油渍黏住，无法正常打开。	清洁叶片，确保止回阀正常工作。
	没有清洁吸油烟机。	根据说明清洁吸油烟机。

故障	可能的原因	解决办法
漏油。	油杯里的废油太多。	清理油杯里的废油。
	没有清洁滤油器。	根据说明清洁滤油器。
	没有清洁主机外壳。	每天使用吸油烟机之后，根据说明擦拭主机外壳。
滤油器很难拆卸。	没有清洁滤油器和滤油器开口。	每个星期根据说明清洁滤油器和滤油器开口。

注意：如果无法根据上述说明解决问题，或者发生下列其中一种情况，请拔掉吸油烟机电源插头，然后联系售后服务中心。

- ① 吸油烟机在接通电源时发生震动。
- ② 吸油烟机在工作时发出异常噪声。
- ③ 发觉有异味、发热、烟雾或其他未被提及的异常现象。

下列现象并非发生故障

现象	原因
在断开吸油烟机电源之后，吸油烟机在几秒钟内发出喀哒声。	在工作期间，止回阀的两个叶片在气压作用下打开。在断开吸油烟机电源之后，风扇逐渐停止旋转，止回阀叶片自然下落发出喀哒声。

制造商保修

购买本款T形吸油烟机自动获得制造商在中国提供的一年保修，保修范围涵盖零件和维修人工。

斐雪派克保证：

如果吸油烟机标签上的序列号表明吸油烟机故障是在购买之日起一年内发生的，将免费修理或更换吸油烟机的任何零件。

注意：制造商保修是额外福利，并不影响你的合法权利。

制造商保修不包括

- Ⓐ 与任何吸油烟机故障无关的上门服务。如果检查发现问题并非吸油烟机故障，要收取上门服务费。例如：
 - ① 改动吸油烟机安装。
 - ② 告诉你如何使用吸油烟机。
 - ③ 更换室内熔断器或改动室内布线或水管。
 - ④ 排除用户人为造成的故障。
 - ⑤ 属于正常现象的响声或震动，例如排水/风扇响声、制冷响声或用户警告声。
 - ⑥ 消除虫害，例如老鼠、蟑螂等造成的损坏。
 - ⑦ 更换灯泡。
- Ⓑ 除下列因素之外的其他因素造成的故障：
 - ① 室内正常使用或
 - ② 按吸油烟机用户指南使用。
- Ⓒ 意外事故、疏忽、滥用或不可抗力造成的故障。
- Ⓓ 非授权修理店修理费或恢复此类擅自修理所需费用。
- Ⓔ 吸油烟机用户指南建议的正常维护。
- Ⓕ 在斐雪派克授权修理店或经销商之外的其他人拆卸、修理或维修吸油烟机之后进行修理。
- Ⓖ 上门取货和送货。
- Ⓗ 如果吸油烟机不在斐雪派克授权修理店的正常服务范围内，与修理有关的交通费或出差费。

吸油烟机仅供普通家庭（住宅）使用。吸油烟机不得用于商业目的（无论何种商业目的）。如果用户把吸油烟机用于商业目的，会影响吸油烟机的制造商保修。

据此制造商保修，由斐雪派克授权修理店提供维修服务。此类维修服务将在正常工作时间进行。在需要修理吸油烟机时，应出示此制造商保修卡。

请把用户指南保存在安全的地方。

制造商：

Fisher & Paykel Appliances Ltd.
78 Springs Road
East Tamaki
Auckland
New Zealand

www.fisherpaykel.com

Copyright © Fisher & Paykel 2015. All rights reserved.

The product specifications in this booklet apply to the specific products and models described at the date of issue. Under our policy of continuous product improvement, these specifications may change at any time. You should therefore check with your dealer to ensure this booklet correctly describes the product currently available.

Copyright © Fisher & Paykel 2015. 版权所有。

本手册所述的产品规格适用于截至发行日所销售和描述的特定产品型号。本公司秉承不断改进产品之政策，上述规格可能随时会有变动。因此，请向当地经销商咨询，确保本手册所述的产品是当前销售的产品。

CN

104031 B 07.15