

# Oven, 60cm, 9 Function, Self-cleaning

Series 7 | Minimal

Black

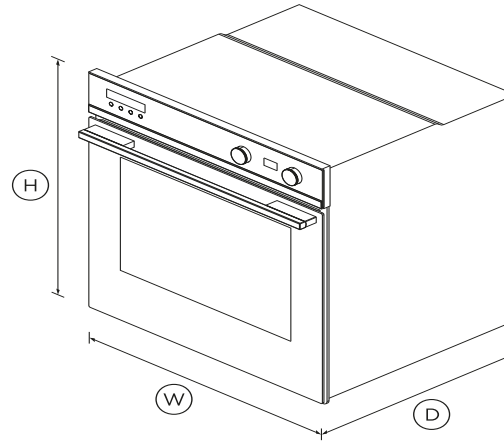


With generous capacity and beautiful black contemporary styling, this built-in oven will complement your kitchen design perfectly.

- 85L total capacity, with 9 oven functions including Pizza Bake and Roast
- Moisture level control with ActiveVent™ technology
- Pyrolytic self-cleaning function breaks down food residue for an easy clean
- Non-tip, full-extension shelves for safe removal of hot dishes

## DIMENSIONS

Height	598mm
Width	596mm
Depth	565mm



## FEATURES & BENEFITS

### Multi-function Flexibility

Nine functions including Roast, Pizza Bake and Fan Grill mean no matter what you're cooking, you've got the right heat to match.

### Beauty of choice

With the choice of stylish stainless steel or elegant black, you can choose the finish that complements your kitchen design best.

### Generous Capacity

With a generous-sized internal cavity, you can create several dishes at once using multiple shelves.

### ActiveVent technology

With ActiveVent™ technology for optimised moisture levels and AeroTech™ for even heat distribution, you'll get perfect results even when using multiple shelves.

### Simple cleaning

Pyrolytic self-clean breaks down food residue at a very high temperature, leaving a light ash that's easily removed with a damp cloth.

### Safe and sound

The CoolTouch door features triple glazing and a cooling system that ensures it's safe to touch from the outside – protecting both your hands and the surrounding cabinetry.

## SPECIFICATIONS

### Accessories

Chromed shelf runners	•
Full extension sliding shelves	1 set
Full extension telescopic	•
Grill rack	1 set
Optional round handle	Part 81645
Roasting dish	1
Step down wire shelf	1

### Capacity

Shelf positions	6
Total gross	85L

### Cleaning

Acid resistant graphite enamel	•
Pyrolytic self-clean	•
Removable oven door	•

- Removable oven door inner •
- Removable shelf runners •

**Consumption**

Energy rating **A+**

**Controls**

- Audio feedback •
- Automatic cooking/minute •
- Automatic pre-set •
- Celsius/Fahrenheit •
- Electronic clock •
- Electronic oven control •
- Precise electronic temperature •
- Sabbath mode •
- Soft open and close door •
- Turned stainless dials with •

**Functions**

- Bake •
- Classic bake •
- Fan bake •
- Fan forced •
- Fan grill •
- Number of functions **9**
- Pastry Bake •
- Pastry Bake with Pizza mode •
- Roast •
- Slow cook •

**Performance**

- ActiveVent™ system •
- AeroTech™ technology •
- Automatic rapid pre-heat •
- Grill power **3000W**
- Whisper quiet cooking •

**Power requirements**

Supply frequency **50Hz**  
 Supply voltage **220 - 240V**

**Product dimensions**

Depth **565mm**  
 Height **598mm**  
 Width **596mm**

**Safety**

- Advanced cooling system •
- Balanced oven door •
- Catalytic venting system •
- Control panel key lock •
- CoolTouch door •
- Full extension sliding shelves •
- Non-tip shelves •

**Warranty**

Parts and labour **5 years**

SKU **82147**

TEST The product dimensions and specifications in this page apply to the specific product and model. Under our policy of continuous improvement, these dimensions and specifications may change at any time. You should therefore check with Fisher & Paykel's Customer Care Centre to ensure this page correctly describes the model currently available. ? Fisher & Paykel Appliances Ltd 2020

---

Other product downloads available at [fisherpaykel.com](http://fisherpaykel.com)



User Guide



User Guide



Installation Guide



Data Sheet Oven



**A PEACE OF MIND SALE**

24 Hours 7 Days a Week Customer Support

T 08000 886 605 [Wwww.fisherpaykel.com](http://www.fisherpaykel.com)