

# Oven, 30", 17 Function, Self-cleaning

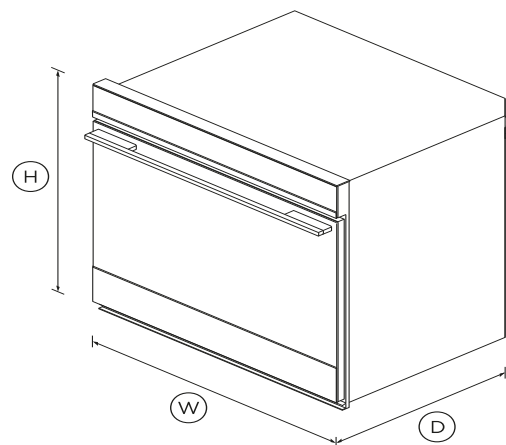
Series 9 | Contemporary



With contemporary styling, advanced cook functions and touchscreen, this large capacity oven is a highlight of our collection

## DIMENSIONS

Height	27 <sup>3</sup> / <sub>16</sub>
Width	29 <sup>15</sup> / <sub>16</sub>
Depth	23 <sup>15</sup> / <sub>16</sub>



## SPECIFICATIONS

### Accessories

Broil rack	1
Full extension sliding shelves	3 sets
Roasting pan	1
Smokeless broil tray	1

### Capacity

Shelf positions	8
-----------------	---

### Cleaning

- Acid resistant graphite enamel
- Removable oven door
- Removable shelf runners

### Controls

- Adjustable audio and display
- Automatic cooking/minute
- Automatic pre-set
- Celsius/Fahrenheit
- Electronic clock
- Electronic oven control
- Food probe
- Guided cooking by food type
- Intuitive touchscreen display
- Multi-language display **UK English, US English,**
- Sabbath mode with Star K

### Functions

- Aero Bake
- Bake
- Broil
- Classic bake
- Maxi Broil
- Number of functions **17**
- Pastry Bake
- Pizza bake
- Rapid proof
- Roast

- Slow cook
- Vent bake

---

### Performance

- AeroTech™ technology
- Automatic rapid pre-heat
- Broil power **4400W**
- Broil width **20"**
- Number of passes on Maxi **12**
- Number of passes on broil **10**

---

### Power requirements

- Amperage **16.6 - 19.4A**
- Supply voltage **208 - 240V**

---

### Product dimensions

- Depth **23 <sup>15</sup>/<sub>16</sub>**
- Height **27 <sup>3</sup>/<sub>16</sub>**
- Width **29 <sup>15</sup>/<sub>16</sub>**

---

### Safety

- Balanced oven door
- Catalytic venting system
- Control panel key lock
- CoolTouch door
- Non-tip shelves

---

SKU 81861

---

The product dimensions and specifications in this page apply to the specific product and model. Under our policy of continuous improvement, these dimensions and specifications may change at any time. You should therefore check with Fisher & Paykel's Customer Care Centre to ensure this page correctly describes the model currently available. © Fisher & Paykel Appliances Ltd 2020



**A PEACE OF MIND SALE**

**24 Hours 7 Days a Week Customer Support**

**T 1.888.936.7872 W [www.fisherpaykel.com](http://www.fisherpaykel.com)**