

INTEGRATED DOUBLE DISHDRAWER

PLANNING GUIDE

DD60DI9 | DD60DHI9 | DD60DTX6I1 | DD60DTX6HI1

FISHER & PAYKEL

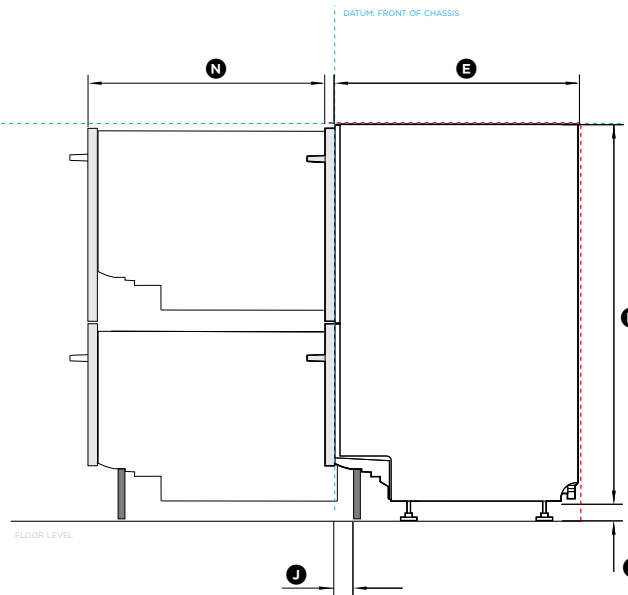
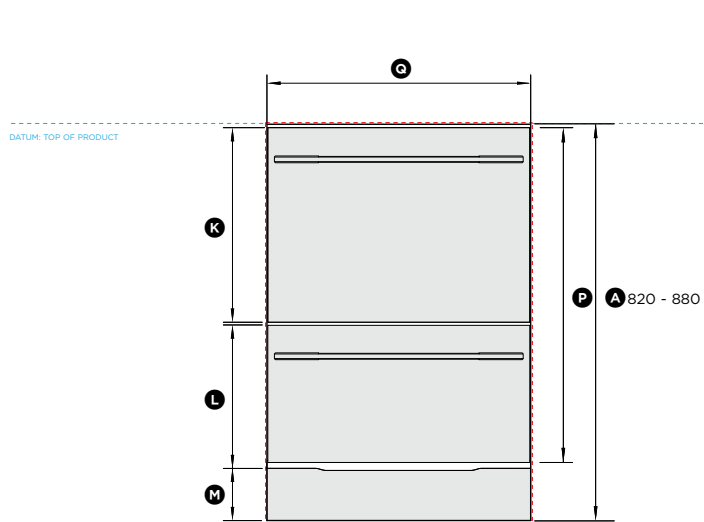
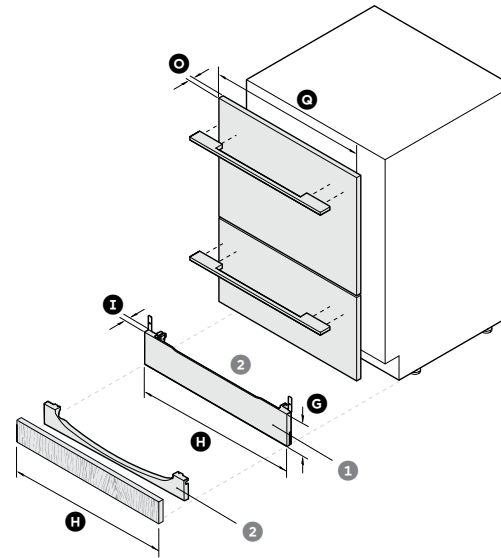
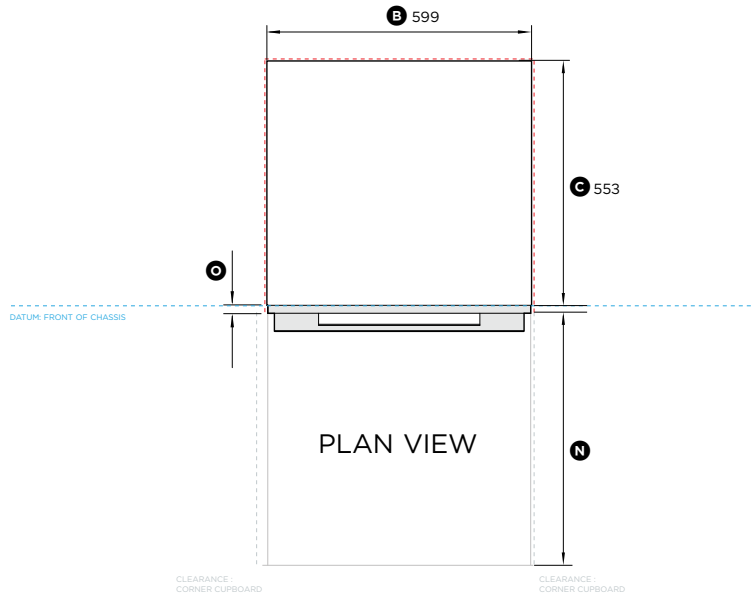
This comprehensive Planning Guide provides you with the framework and tools to achieve your desired design outcome with Fisher & Paykel appliances. In this guide, you will find a range of conceptual, detailed, and dimensional product information to bring your ideas to life and create spaces that truly reflect your vision.

CONTENTS

CONCEPT DESIGN	PAGE	DEVELOPED AND DETAILED DESIGN	PAGE	DEVELOPED AND DETAILED DESIGN	PAGE
Design Choices	3	DD60DI9 DD60DH19		Handle Kits	14
		Data Sheets Door Panels	4	Contemporary Square	15
		Stainless Steel Door Panels	5	Contemporary Square Fine	16
		Custom Door Panels	6	Contemporary Round	17
		Recessed Handle Door Panels	7	Professional Round Flush	18
		Recessed Handle Matte Black Door Panels	8	Classic Round	19
		Toe Kick Information	9		
		DD60DTX6I1 DD60DTX6HI1			
		Data Sheets Door Panels	10		
		Stainless Steel Door Panels	11		
		Custom Door Panels	12		
		Toe Kick Information	13		

DOOR PANEL ACCESSORIES + TOE KICK INFORMATION
DD60DI9 & DD60DH19

DATA SHEET | INTEGRATED DOUBLE DISHDRAWER Standard 60cm with Stainless Steel Door Panels



FRONT VIEW

PROFILE VIEW

Model nos:
DD60DI9 & DD60DH9
 Shown with Stainless Steel Panels, ADDD60DPX
 Available Black Stainless Steel Panels, ADDD60DPB
 Shown with Contemporary Square Fine Handle, AHD5-OBDD-60S

Product includes the following Toe Kicks:
 1 Flush Pre-Finished Toe Kick
 2 Custom Toe Kick bracket

NOTE: Refer to page 3 - Purchase Decision for all door panel and handle options

Product Dimensions	mm
A Overall height of product*	820 - 880
B Overall width of product	599
C Overall depth of product (without handle and door panel)	553
D Height of chassis	811
E Depth of chassis	553
F Height of feet*	10 - 70
G Flush pre-finished toe kick panel height (customisable) 1	58 - 118
H Flush pre-finished toe kick panel width 1	min. 596
Custom Toe Kick panel width 2	596
I Flush pre-finished toe kick panel depth 1	16
J Flush pre-finished toe kick recess depth 1**	20 - 36
Custom toe kick bracket recess depth 2**	40 - 100
K Height of upper door panel	398
L Height of lower door panel	311
M Height of toe kick space	58 - 118
N Maximum extension of drawer	527
O Depth of door panel	18
P Height of door panels	717
Q Door panel width	595

*Depending on adjustment of levelling feet
 **Excluding custom toe kick and door panel

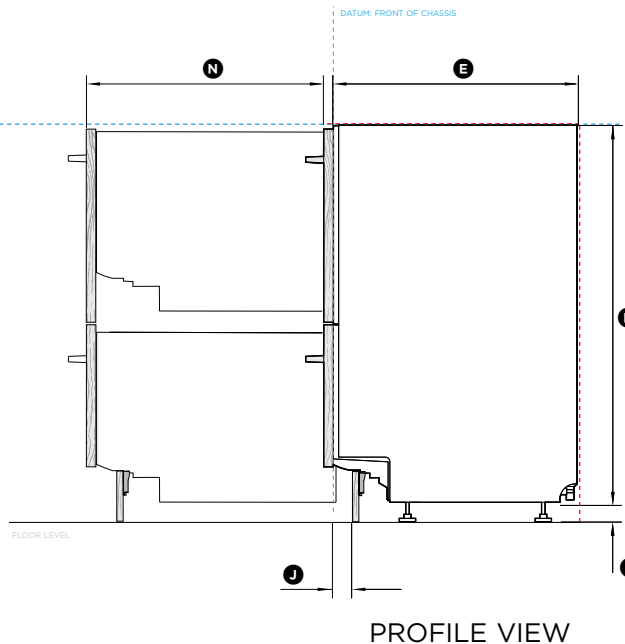
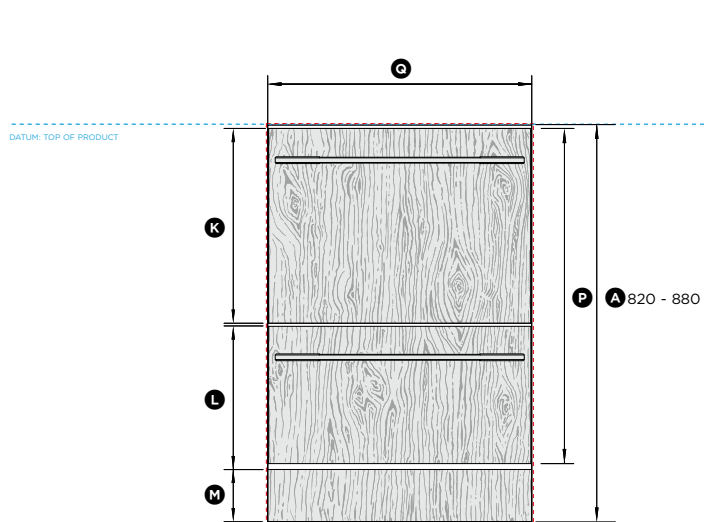
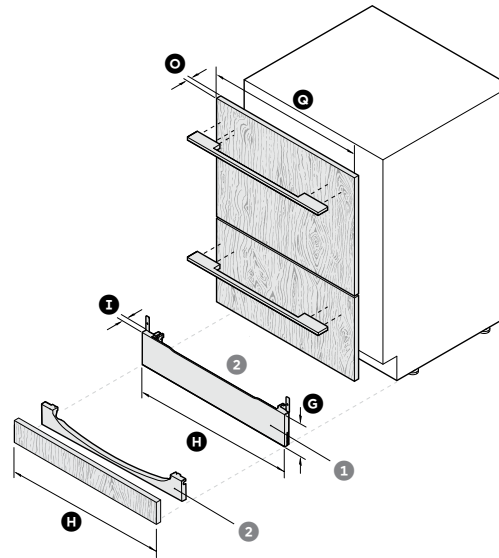
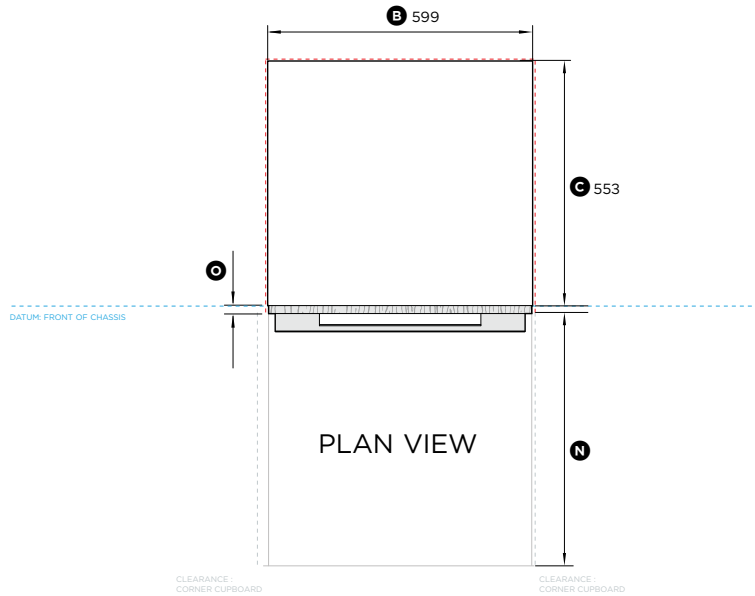
Minimum Clearances	mm
Minimum inside height of cavity*	820
Minimum inside width of cavity	600
Minimum overall depth of cavity**	560
Minimum clearance to corner cupboard	13
Minimum clearance to adjacent cupboard door	2

*Depending on adjustment of levelling feet
 **Including 19mm door panels on adjacent cabinetry

INDICATES CABINERY / PRODUCT DATUM -----
 INDICATES CABINERY CLEARANCES - - - - -

IMPORTANT NOTE: Throughout this guide, dimensions may vary by ±2mm (1/16"). Please read the Installation Guide for detailed information on installing the product. For full installation instructions visit fisherpaykel.com

DATA SHEET | INTEGRATED DOUBLE DISHDRAWER Standard 60cm with Custom Door Panels



FRONT VIEW

PROFILE VIEW

Model nos:
DD60DI9 & DD60DH19
 Shown with Custom Door Panels
 Shown with Contemporary Square Fine Handle, AHD5-OBDD-60S

Product includes the following Toe Kicks:

- ① Flush Pre-Finished Toe Kick
- ② Custom Toe Kick bracket

NOTE: Refer to page 3 - Purchase Decision for all the door panel and handle options

Product Dimensions	mm
Ⓐ Overall height of product*	820 - 880
Ⓑ Overall width of product	599
Ⓒ Overall depth of product (without handle and door panel)	553
Ⓓ Height of chassis	811
Ⓔ Depth of chassis	553
Ⓕ Height of feet*	10 - 70
Ⓖ Flush pre-finished toe kick panel height (customisable) ①	58 - 118
Ⓜ Flush pre-finished toe kick panel width ①	min. 596
Custom Toe Kick panel width ②	596
Ⓣ Flush pre-finished toe kick panel depth ①	16
Ⓝ Flush pre-finished toe kick recess depth ①**	20 - 36
Custom toe kick bracket recess depth ②**	40 - 100
Ⓚ Minimum height of upper door panel	398
Ⓛ Minimum height of lower door panel	311
Ⓜ Height of toe kick space	58 - 118
Ⓝ Maximum extension of drawer	527
Ⓞ Depth of door panel	18
Ⓟ Height of door panels	717
Ⓠ Door panel width	595

*Depending on adjustment of levelling feet
 **Excluding custom toe kick and door panel

Minimum Clearances	mm
Minimum inside height of cavity*	820
Minimum inside width of cavity	600
Minimum overall depth of cavity**	560
Minimum clearance to corner cupboard	13
Minimum clearance to adjacent cupboard door	2

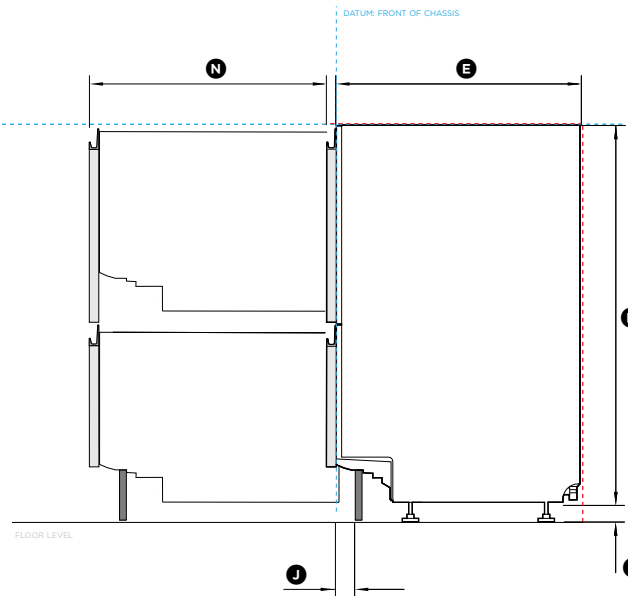
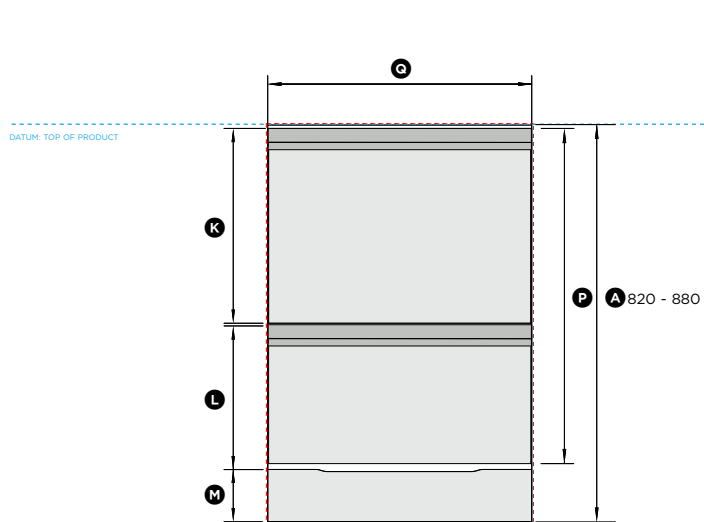
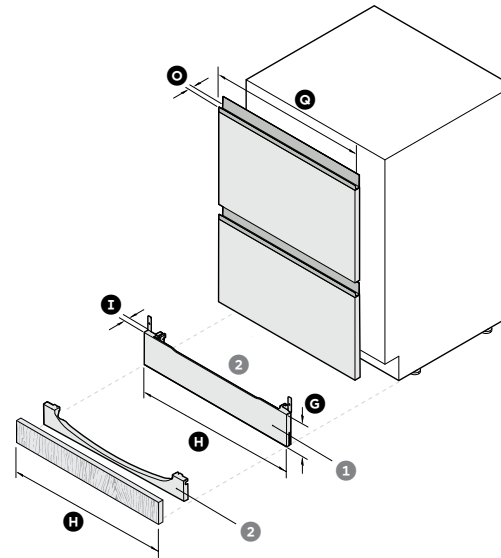
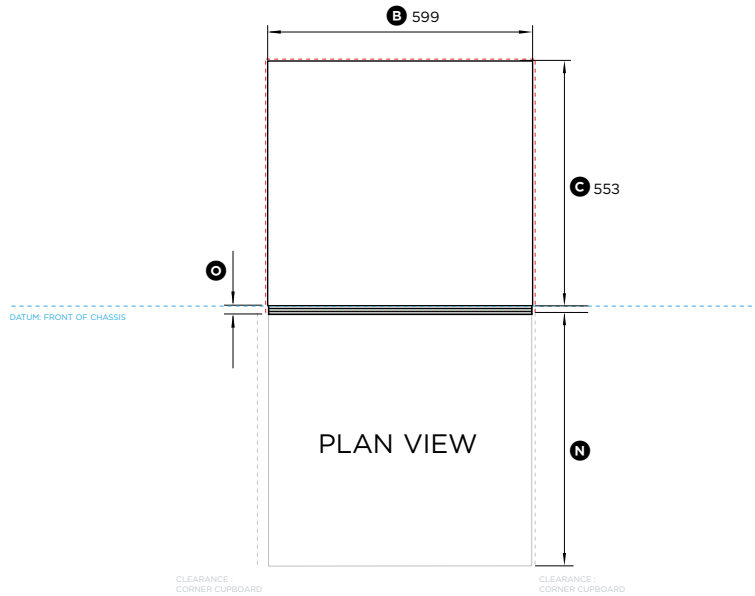
*Depending on adjustment of levelling feet.
 **Including 19mm door panels on adjacent cabinetry.

NOTE: Custom door panel and toe kicks to be manufactured/fitted by cabinetmaker.

INDICATES CABINETRY / PRODUCT DATUM -----
 INDICATES CABINETRY CLEARANCES - - - - -

IMPORTANT NOTE: Throughout this guide, dimensions may vary by ±2mm (1/16"). Please read the Installation Guide for detailed information on installing the product. For full installation instructions visit fisherpaykel.com

DATA SHEET | INTEGRATED DOUBLE DISHDRAWER Standard 60cm with Recessed Handle Door Panels



FRONT VIEW

PROFILE VIEW

Model nos:

DD60DI9 & DD60DH9

Shown with Recessed Handle Stainless Steel Panels, ADDD60DNX
Available Recessed Handle Stainless Steel Black Panels, ADDD60DNB

Product includes the following Toe Kicks:

- ① Flush Pre-Finished Toe Kick
- ② Custom Toe Kick bracket

NOTE: Refer to page 3 - Purchase Decision for all door panel and handle options

Product Dimensions	mm
Ⓐ Overall height of product*	820 - 880
Ⓑ Overall width of product	599
Ⓒ Overall depth of product (without door panel)	553
Ⓓ Height of chassis	811
Ⓔ Depth of chassis***	553
Ⓕ Height of feet*	10 - 70
Ⓖ Flush pre-finished toe kick panel height (customisable) ①	58 - 118
Ⓗ Flush pre-finished toe kick panel width ①	min. 596
Custom Toe Kick panel width ②	596
Ⓙ Flush pre-finished toe kick panel depth ①	16
Ⓝ Flush pre-finished toe kick recess depth ①**	20 - 36
Custom toe kick bracket recess depth ②**	40 - 100
Ⓚ Height of upper door panel	398
Ⓛ Height of lower door panel	309
Ⓜ Height of toe kick space	58 - 118
Ⓝ Maximum extension of drawer	527
Ⓞ Depth of door panel	20
Ⓟ Height of door panels	717
Ⓠ Door panel width	595

*Depending on adjustment of levelling feet

**Excluding custom toe kick and door panel

***Max. 15mm bench overhang recommended

Minimum Clearances	mm
Minimum inside height of cavity*	820
Minimum inside width of cavity	600
Minimum overall depth of cavity**	560
Minimum clearance to corner cupboard	13
Minimum clearance to adjacent cupboard door	2

*Depending on adjustment of levelling feet

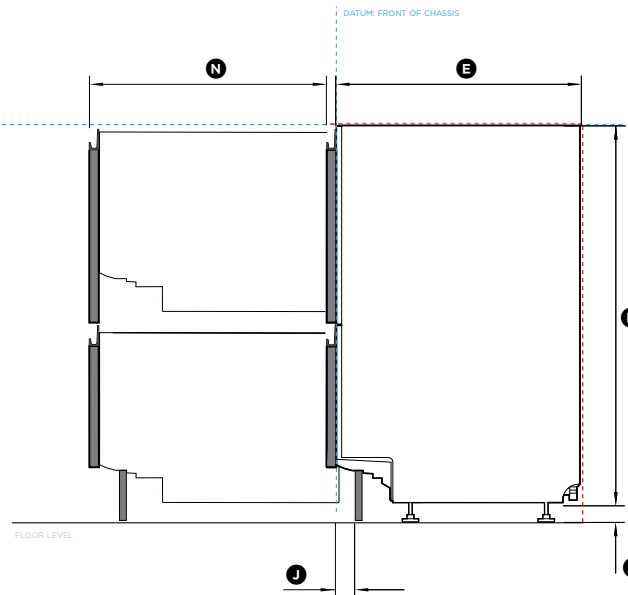
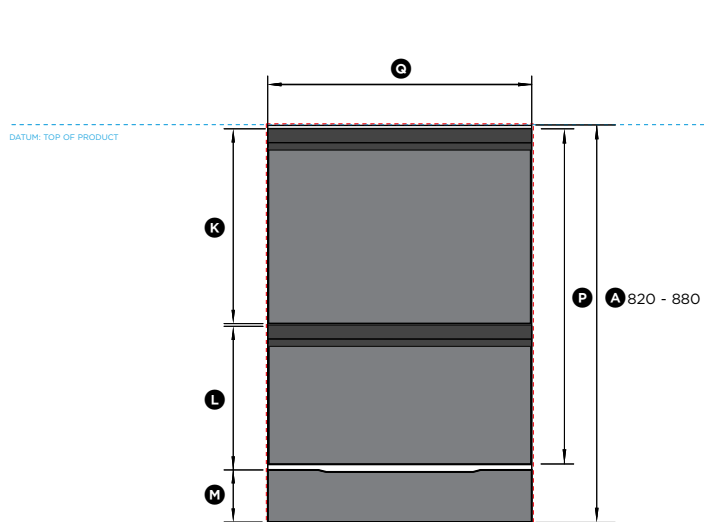
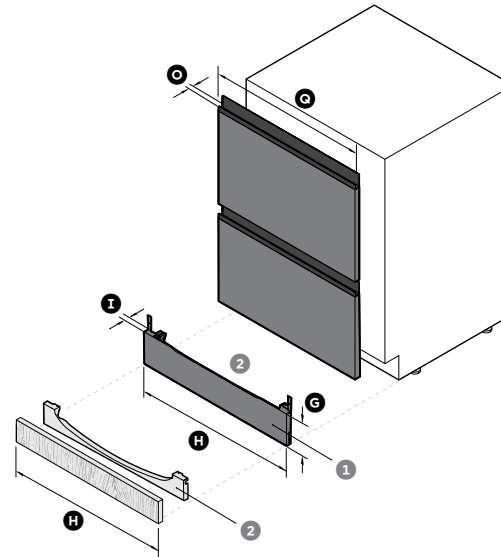
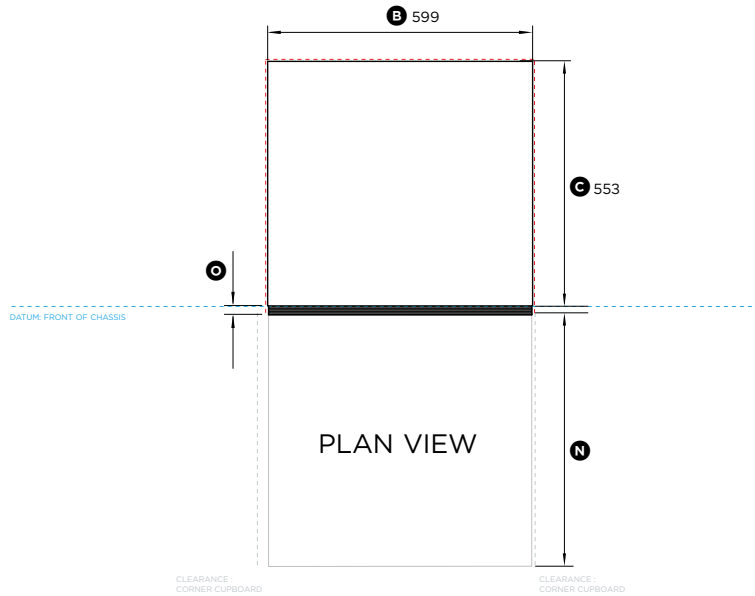
**Including 19mm door panels on adjacent cabinetry

INDICATES CABINETRY / PRODUCT DATUM -----

INDICATES CABINETRY CLEARANCES - - - - -

IMPORTANT NOTE: Throughout this guide, dimensions may vary by ±2mm (1/16"). Please read the Installation Guide for detailed information on installing the product. For full installation instructions visit fisherpaykel.com

DATA SHEET | INTEGRATED DOUBLE DISHDRAWER Standard 60cm with Recessed Handle Matte Black Door Panels



FRONT VIEW

PROFILE VIEW

Model nos:

DD60DI9 & DD60DH9

Shown with Recessed Handle Matte Black Glass Panels, ADDD60DZB

Product includes the following Toe Kicks:

- ① Flush Pre-Finished Toe Kick
- ② Custom Toe Kick bracket

NOTE: Refer to page 3 - Purchase Decision for all the door panel and handle options

Product Dimensions	mm
Ⓐ Overall height of product*	820 - 880
Ⓑ Overall width of product	599
Ⓒ Overall depth of product (without door panel)	553
Ⓓ Height of chassis	811
Ⓔ Depth of chassis***	553
Ⓕ Height of feet*	10 - 70
Ⓖ Flush pre-finished toe kick panel height (customisable) ①	58 - 118
Ⓗ Flush pre-finished toe kick panel width ①	min. 596
Custom Toe Kick panel width ②	596
① Flush pre-finished toe kick panel depth ①	16
② Flush pre-finished toe kick recess depth ①**	20 - 36
Custom toe kick bracket recess depth ②**	40 - 100
Ⓚ Height of upper door panel	398
Ⓛ Height of lower door panel	309
Ⓜ Height of toe kick space	58-118
Ⓝ Maximum extension of drawer	527
Ⓟ Depth of door panel	20
Ⓟ Height of door panels	717
Ⓠ Door panel width	595

*Depending on adjustment of levelling feet

**Excluding custom toe kick and door panel

***Max. 15mm bench overhang recommended

Minimum Clearances	mm
Minimum inside height of cavity*	820
Minimum inside width of cavity	600
Minimum overall depth of cavity**	560
Minimum clearance to corner cupboard	13
Minimum clearance to adjacent cupboard door	2

*Depending on adjustment of levelling feet

**Including 19mm door panels on adjacent cabinetry

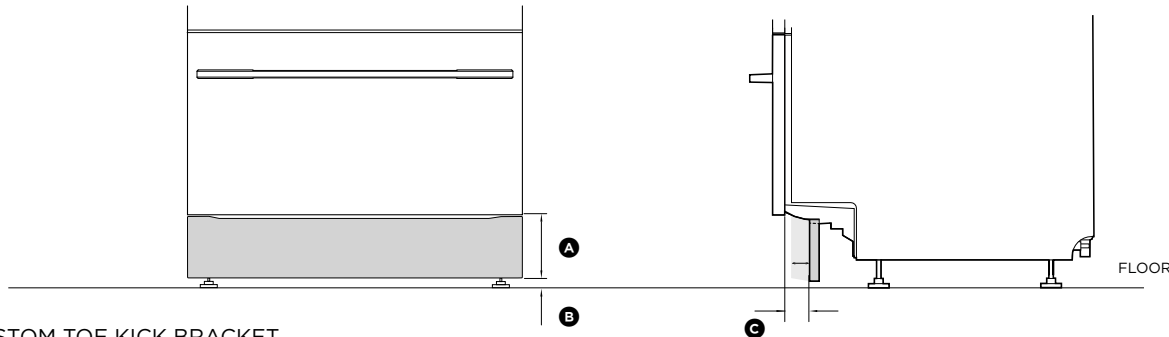
INDICATES CABINERY / PRODUCT DATUM -----

INDICATES CABINERY CLEARANCES - - - - -

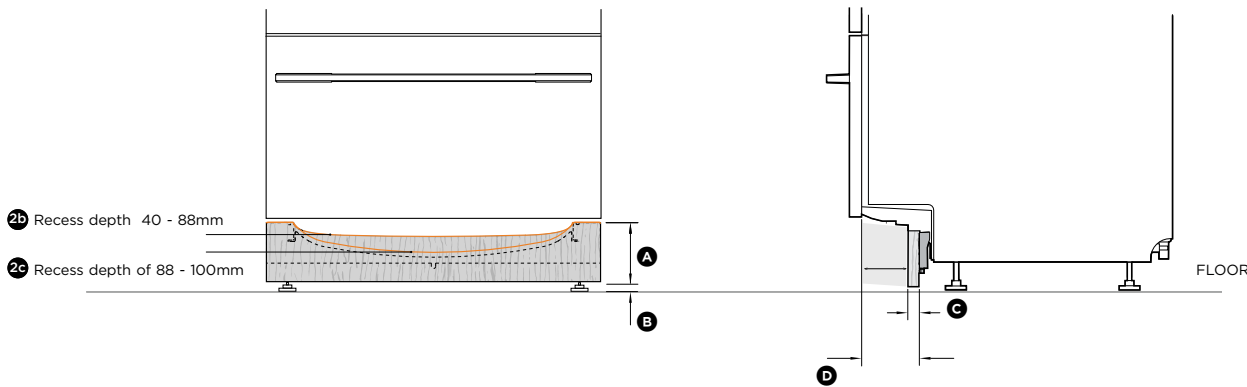
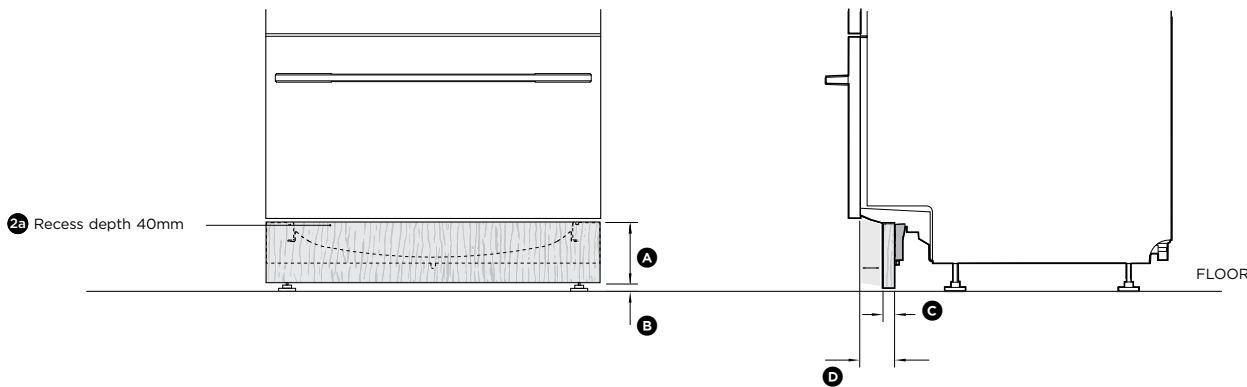
IMPORTANT NOTE: Throughout this guide, dimensions may vary by ±2mm (1/16"). Please read the Installation Guide for detailed information on installing the product. For full installation instructions visit fisherpaykel.com

TOE KICK INFORMATION | INTEGRATED DOUBLE DISHDRAWER Standard 60cm

1 FLUSH PRE-FINISHED TOE KICK



2 CUSTOM TOE KICK BRACKET



FRONT VIEW

SIDE VIEW

Model no:

DD60DI9 & DD60DH9

Shown with Stainless Steel Door Panels ADDD60DPX

1 Flush Pre-Finished Toe Kick Depth Consideration	mm
A Toe kick panel height*	58 - 118
B Minimum clearance between toe kick panel and floor	12
C Depth of toe kick recess***	20 - 36

2a Custom toe kick panel (recess depth 40mm)	mm
A Toe kick panel height*	58 - 118
B Minimum clearance between toe kick panel and floor	12
C Minimum toe kick panel depth (thickness)**	9
D Depth of toe kick recess***	40

2b Custom toe kick panel (recess depth 40 - 88mm)	mm
A Toe kick panel height*	58 - 118
B Minimum clearance between toe kick panel and floor	12
C Minimum toe kick panel depth (thickness)**	9
D Depth of toe kick recess***	40 - 88

2c Custom toe kick panel (recess depth 88 - 100mm)	mm
A Toe kick panel height*	58 - 118
B Minimum clearance between toe kick panel and floor	12
C Minimum toe kick panel depth (thickness)**	9
D Depth of toe kick recess***	88 - 100

*Toe kick panel should be adjusted accordingly

**If using supplied toe kick mounting screws. Panel can be fixed via screwing or gluing to the supplied mounting bracket

***Excluding custom panel and handle

IMPORTANT NOTE: For full installation and clearance details please refer to the installation guide.

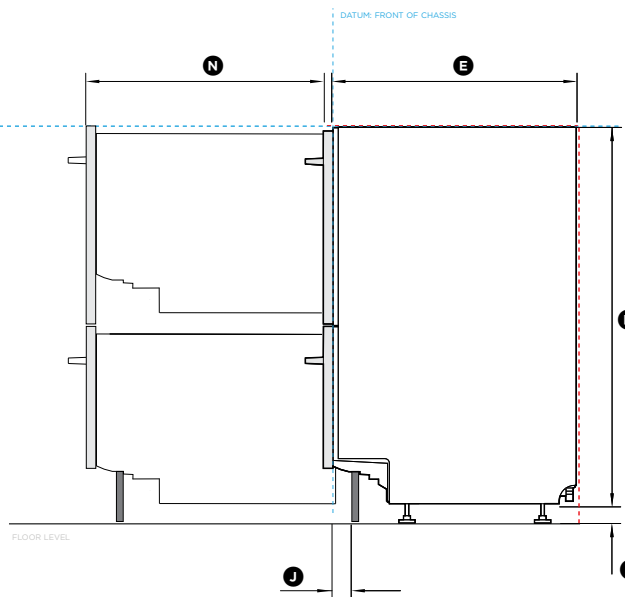
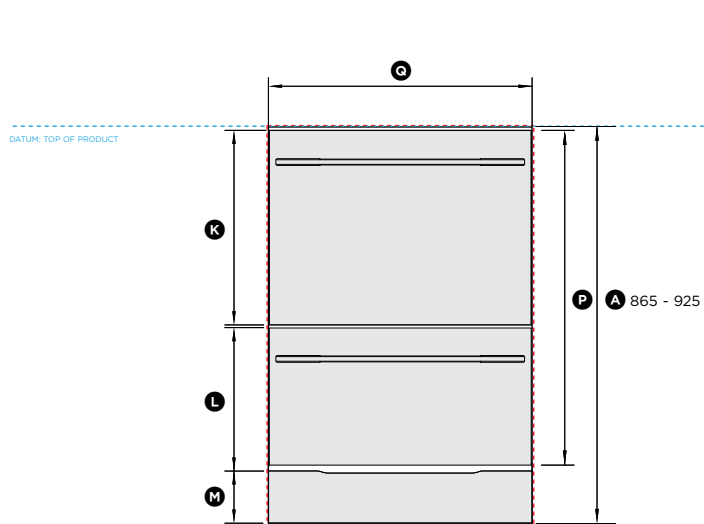
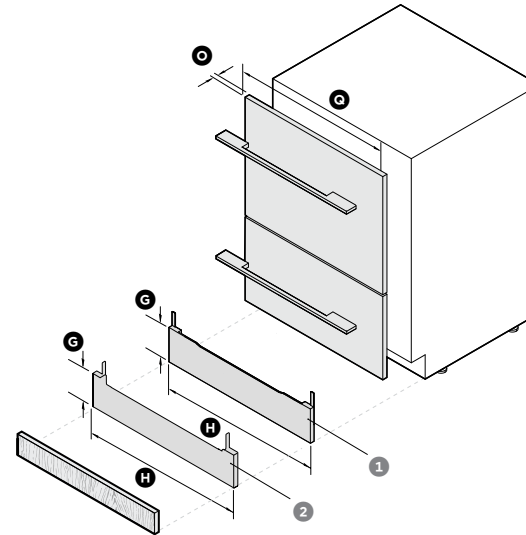
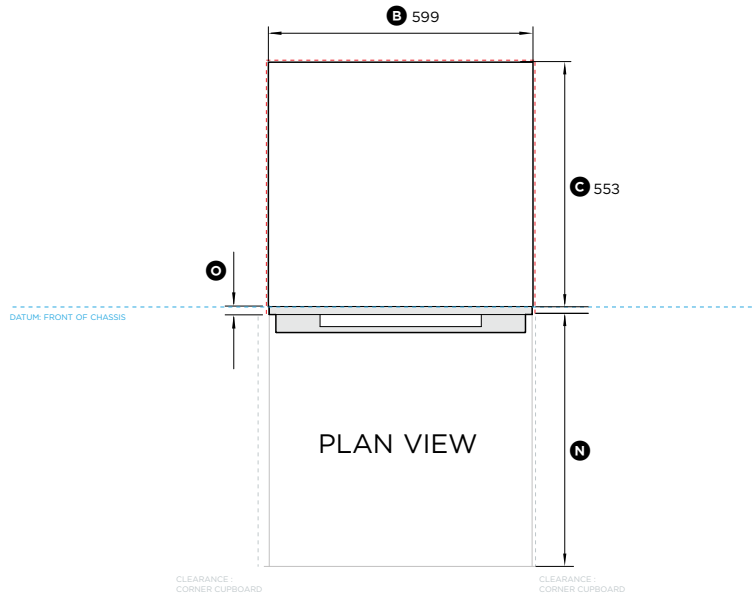
INDICATES CABINETRY / PRODUCT DATUM -----

INDICATES CABINETRY CLEARANCES - - - - -

IMPORTANT NOTE: Throughout this guide, dimensions may vary by $\pm 2\text{mm}$ (1/16"). Please read the Installation Guide for detailed information on installing the product. For full installation instructions visit fisherpaykel.com

DOOR PANEL ACCESSORIES + TOE KICK INFORMATION
DD60DTX6I1 & DD60DTX6IH1

DATA SHEET | INTEGRATED DOUBLE DISHDRAWER Tall 60cm with Stainless Steel Door Panels



FRONT VIEW

PROFILE VIEW

Model nos:

DD60DTX6I1 & DD60DTX6H11

Shown with Stainless Steel Door Panels, ADD60DTPX

Available Black Stainless Steel Panels, ADD60DTPB

Shown with Contemporary Square Fine Handle, AHD5-OBDD-60

Product includes the following Toe Kicks:

- 1 Flush Pre-Finished Toe Kick
- 2 Recessed Pre-Finished Toe Kick (also used as a Custom toe kick bracket)

NOTE: Refer to page 3 - Purchase Decision for all door panel and handle options

Product Dimensions	mm
A Overall height of product*	865 - 925
B Overall width of product	599
C Overall depth of product (without handle and door panel)	553
D Height of chassis	855
E Depth of chassis	553
F Height of feet*	10 - 70
G Flush Pre-Finished Toe Kick height 1	45 - 123
Recessed Pre-Finished Toe Kick height 2	45 - 123
H Flush Pre-Finished Toe Kick width 1	min. 596
Recessed Pre-Finished Toe Kick width 2	596
J Flush Pre-Finished Toe Kick depth 1**	20 - 36
Recessed Pre-Finished Toe Kick depth 2**	40 - 100
K Height of upper door panel	442
L Height of lower door panel	311
M Height of toe kick space	58 - 118
N Maximum extension of drawer	527
O Depth of door panel	18
P Height of door panels	761
Q Door panel width	595

*Depending on adjustment of levelling feet

**Excluding custom toe kick and door panel

Minimum Clearances	mm
Minimum inside height of cavity*	865
Minimum inside width of cavity	600
Minimum overall depth of cavity**	578
Minimum clearance to corner cupboard	13
Minimum clearance to adjacent cupboard door	2

*Depending on adjustment of levelling feet

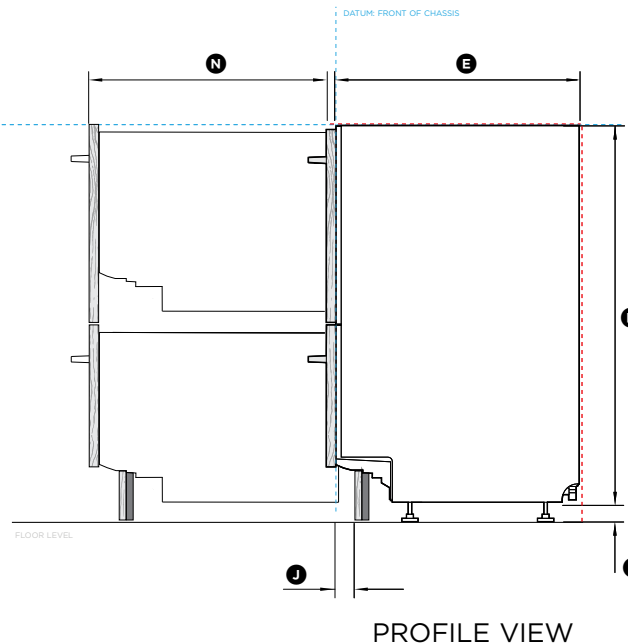
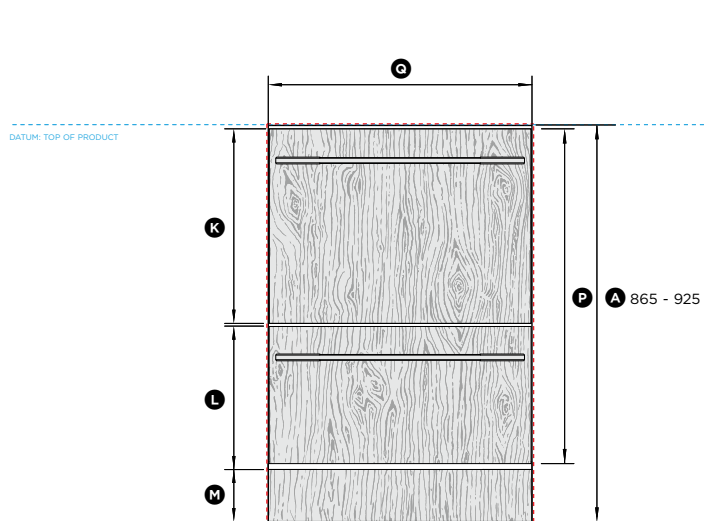
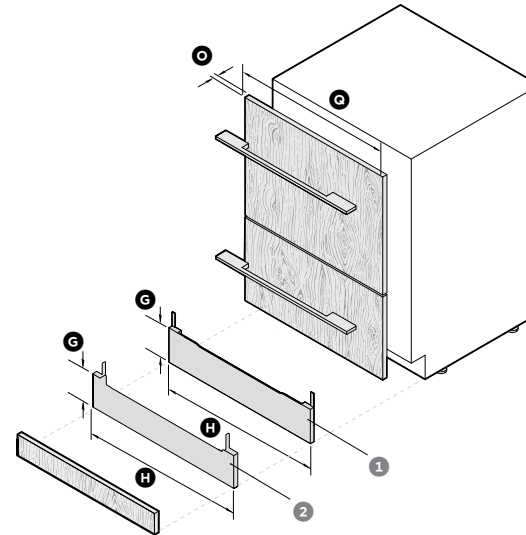
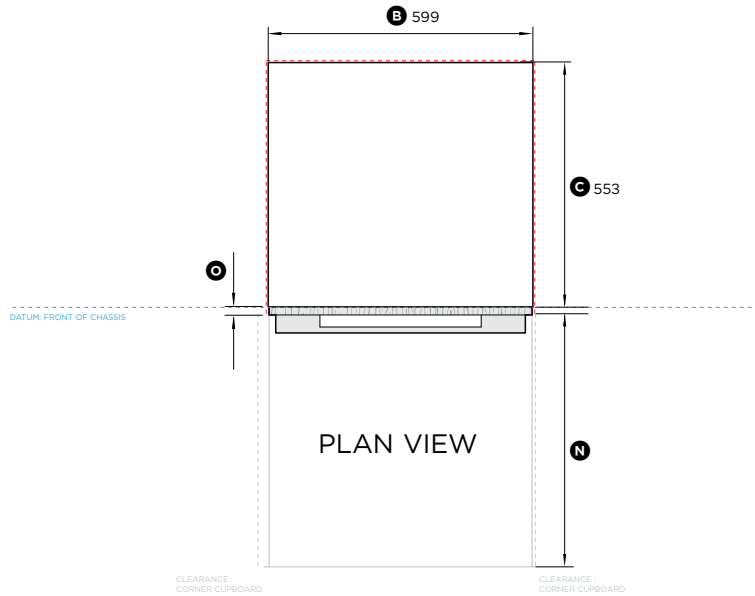
**Including 19mm door panels on adjacent cabinetry

INDICATES CABINETRY / PRODUCT DATUM -----

INDICATES CABINETRY CLEARANCES - - - - -

IMPORTANT NOTE: Throughout this guide, dimensions may vary by ±2mm (1/16"). Please read the Installation Guide for detailed information on installing the product. For full installation instructions visit fisherpaykel.com

DATA SHEET | INTEGRATED DOUBLE DISHDRAWER Tall 60cm with Custom Door Panels



FRONT VIEW

PROFILE VIEW

Model nos:
DD60DTX6I1 & DD60DTX6H1
 Shown with Custom Door Panels
 Shown with Contemporary Square Fine Handle, AHD5-OBDD-60S

Product includes the following Toe Kicks:

- 1 Flush Pre-Finished Toe Kick
- 2 Recessed Pre-Finished Toe Kick (also used as a custom toe kick bracket)

NOTE: Refer to page 3 - Purchase Decision for all door panel and handle options

Product Dimensions	mm
A Overall height of product*	865 - 925
B Overall width of product	599
C Overall depth of product (without handle and door panel)	553
D Height of chassis	855
E Depth of chassis	553
F Height of feet*	10 - 70
G Flush Pre-Finished Toe Kick height 1	45 - 123
Recessed Pre-Finished Toe Kick height 2	45 - 123
H Flush Pre-Finished Toe Kick width 1	min. 596
Recessed Pre-Finished Toe Kick width 2	596
I Flush Pre-Finished Toe Kick depth 1**	20 - 36
Recessed Pre-Finished Toe Kick depth 2**	40 - 100
K Height of upper door panel	442
L Height of lower door panel	311
M Height of toe kick space	58 - 118
N Maximum extension of drawer	527
O Depth of door panel	18
P Height of door panels	761
Q Door panel width	595

*Depending on adjustment of levelling feet
 **Excluding custom toe kick and door panel

Minimum Clearances	mm
Minimum inside height of cavity*	865
Minimum inside width of cavity	600
Minimum overall depth of cavity**	578
Minimum clearance to corner cupboard	13
Minimum clearance to adjacent cupboard door	2

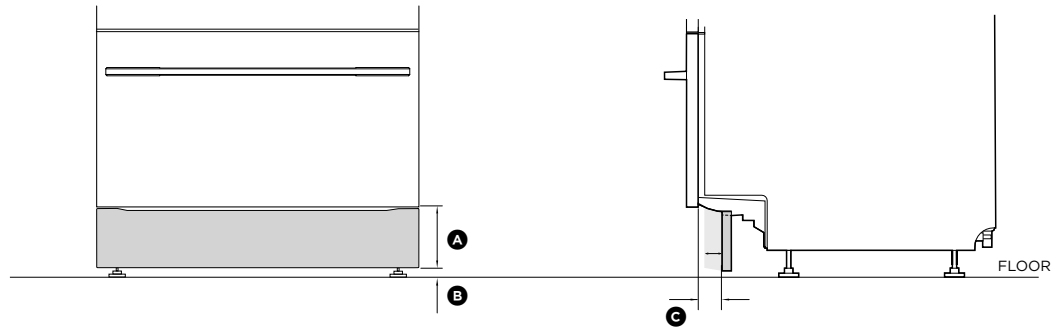
*Depending on adjustment of levelling feet
 **Including 19mm door panels on adjacent cabinetry

NOTE: Custom door panel and toe kicks to be manufactured/fitted by cabinetmaker.

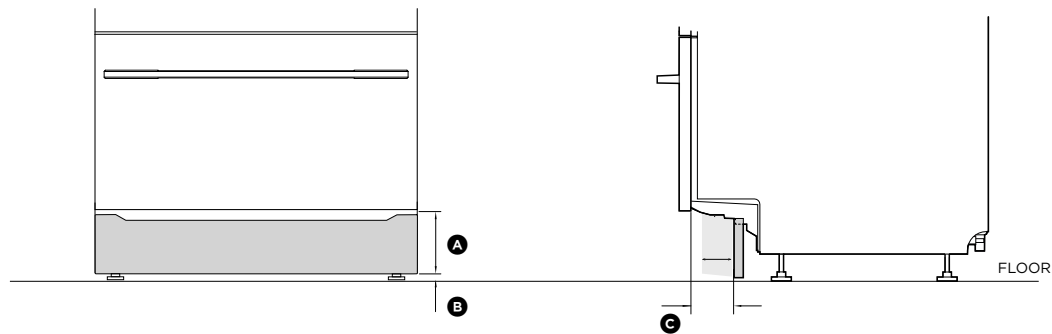
INDICATES CABINETRY / PRODUCT DATUM -----
 INDICATES CABINETRY CLEARANCES - - - - -

IMPORTANT NOTE: Throughout this guide, dimensions may vary by ±2mm (1/16"). Please read the Installation Guide for detailed information on installing the product. For full installation instructions visit fisherpaykel.com

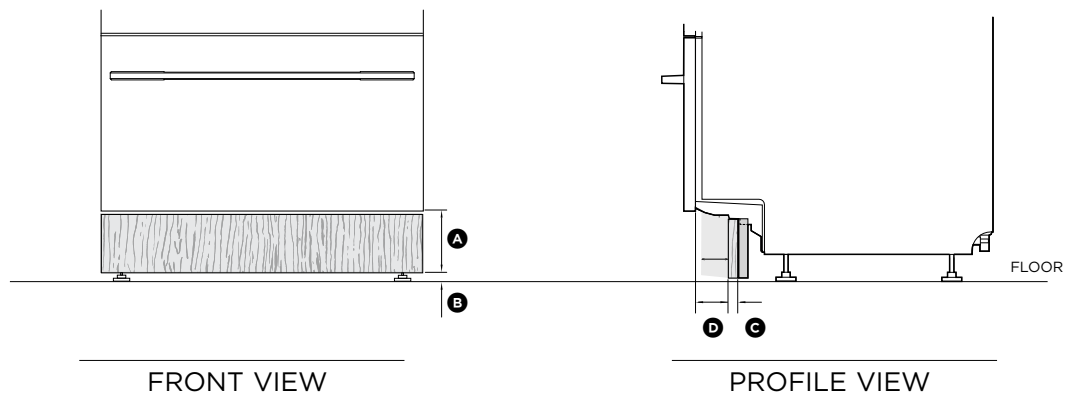
1 FLUSH PRE-FINISHED TOE KICK



2 RECESSED PRE-FINISHED TOE KICK



3 RECESSED PRE-FINISHED TOE KICK WITH CUSTOM TOE KICK PANEL



FRONT VIEW

PROFILE VIEW

Model no:
DD60DTX6I1 & DD60DTX6H11

1 Flush Pre-Finished Toe Kick Depth	mm
A Toe kick panel height	45 - 123
B Minimum clearance between toe kick panel and floor	12
C Depth of toe kick recess**	20 - 36

**Back of door to front of toe kick

2 Recessed Pre-Finished Toe Kick Depth	mm
A Toe kick panel height*	45 - 123
B Minimum clearance between toe kick panel and floor	12
C Depth of toe kick recess**	40 - 100

*The further back the toe kick
**Back of door to front of toe kick

3 Recessed Pre-Finished Toe Kick Depth with Custom Toe Kick Panel	mm
A Toe kick panel height	45 - 123
B Minimum clearance between toe kick panel and floor	12
C Minimum toe kick panel depth (thickness)	min 9
D Depth of toe kick recess*	21 - 81

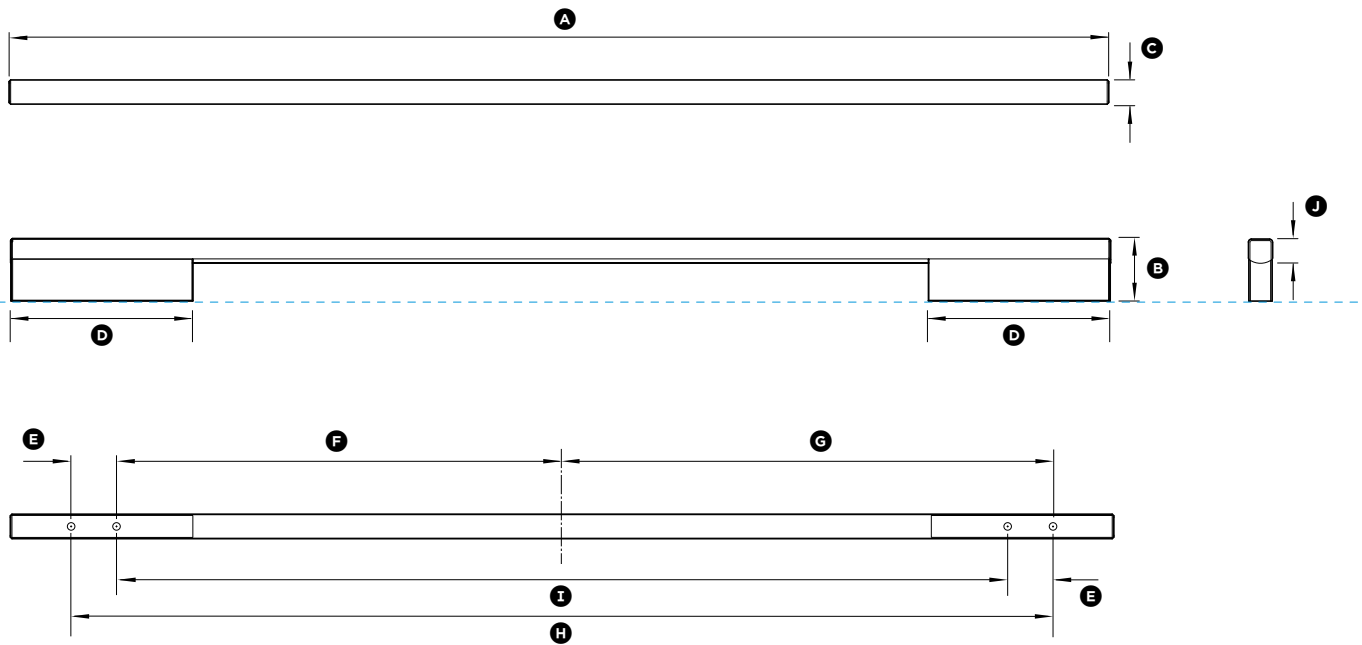
*Back of door to front of custom toe kick, assuming a 19mm thick custom toe kick panel is used

IMPORTANT NOTE: For full installation and clearance details please refer to the installation guide.

INDICATES CABINETS / PRODUCT DATUM -----
INDICATES CABINETS CLEARANCES -----

IMPORTANT NOTE: Throughout this guide, dimensions may vary by ±2mm (1/16"). Please read the Installation Guide for detailed information on installing the product. For full installation instructions visit fisherpaykel.com

HANDLE KITS



Model no:
 Square Handle AHD3-OBDD-60S
 Black Square Handle AHD3-OBDD-60B

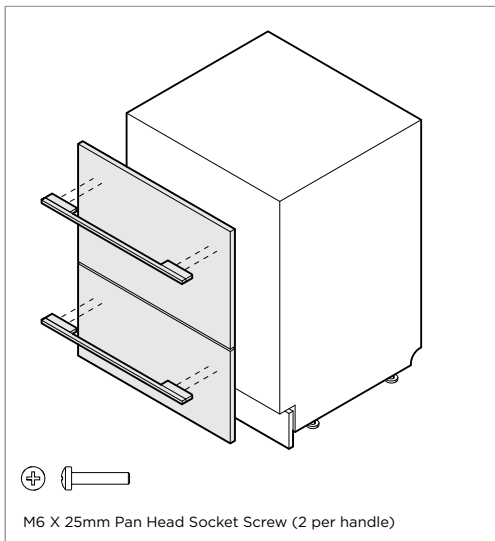
For Models:
 DD60DTX6I1, DD60DTX6H11, DD60DI9, DD60DH19

Compatible with door panel kits:
 Square Handle for Door Panel Kits ADDD60DPX, ADDD60DTPX
 Black Square Handle for Door Panel Kits ADDD60DPB, ADDD60DTPB

Handle Dimensions	mm
Ⓐ Overall length of handle	565
Ⓑ Overall depth of handle	41
Ⓒ Overall height of handle	16
Ⓓ Length of off-stand	100
Ⓔ Distance between attachment holes between each off-stand	32
Ⓕ Distance from centerline to inner attachment holes	216
Ⓖ Distance from centerline to outer attachment holes	248.5
Ⓗ Distance between inner attachment holes	432
Ⓙ Distance between outer attachment holes	497
⓵ Thickness of handle rail	16

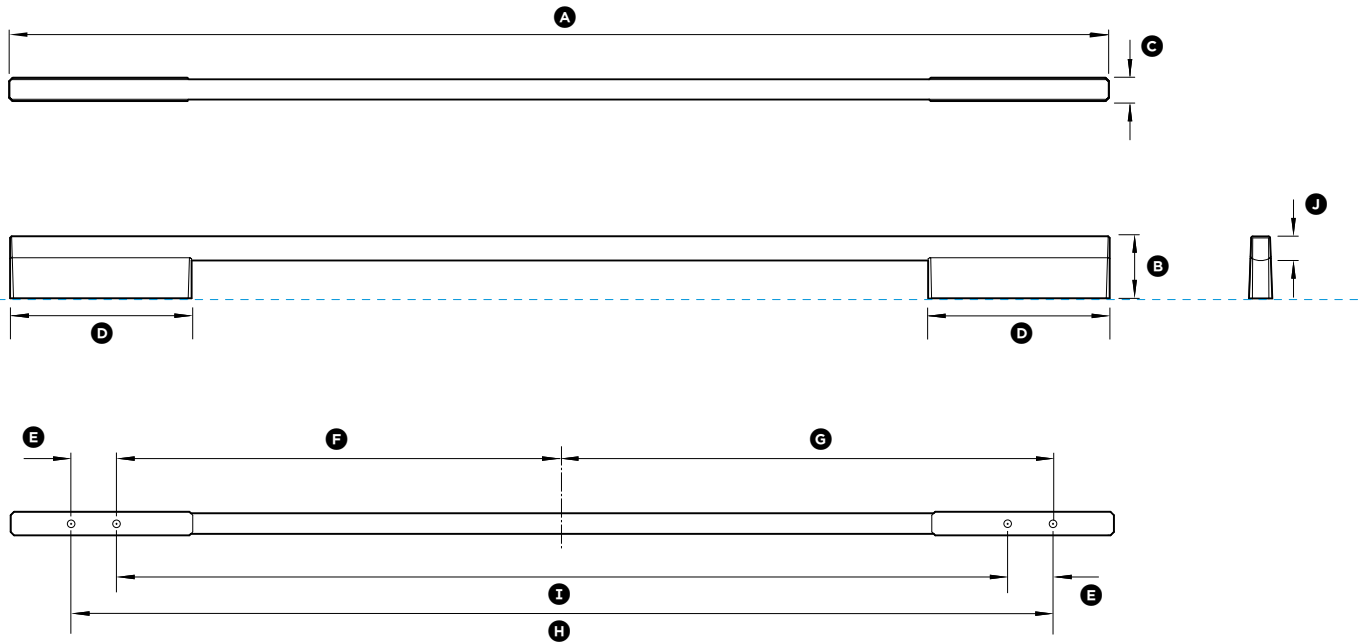
*DishDrawer Double - the dimensions are the same for both handles.
 *Suits standard 19mm panel. Thicker panels may require counterboring or longer screws..

Note: Single DishDrawer requires one handle kit, double DishDrawer requires two handle kits.



INDICATES CABINETRY / PRODUCT DATUM -----
 INDICATES CABINETRY CLEARANCES -----

IMPORTANT NOTE: Throughout this guide, dimensions may vary by ±2mm (1/16"). Please read the Installation Guide for detailed information on installing the product. For full installation instructions visit fisherpaykel.com



Model no:
 Square Fine Handle AHD5-OBDD-60S
 Black Square Fine Handle AHD5-OBDD-60SB

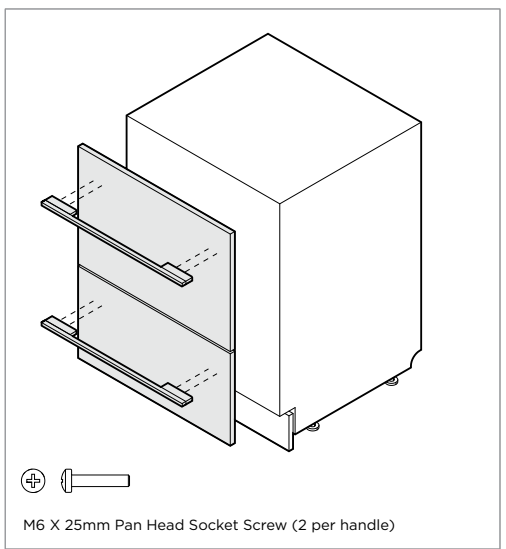
For Models:
 DD60DTX6I1, DD60DTX6H11, DD60DI9, DD60DHI9

Compatible with door panel kits:
 Square Fine Handle for Door Panel Kits ADDD60DPX, ADDD60DTPX
 Black Square Fine Handle for Door Panel Kits ADDD60DPB, ADDD60DTPB

Handle Dimensions	mm
Ⓐ Overall length of handle	565
Ⓑ Overall depth of handle	41
Ⓒ Overall height of handle	15
Ⓓ Length of off-stand	100
Ⓔ Distance between attachment holes between each off-stand	32
Ⓕ Distance from centerline to inner attachment holes	216
Ⓖ Distance from centerline to outer attachment holes	248.5
Ⓗ Distance between inner attachment holes	432
Ⓙ Distance between outer attachment holes	497
Ⓣ Thickness of handle rail	16

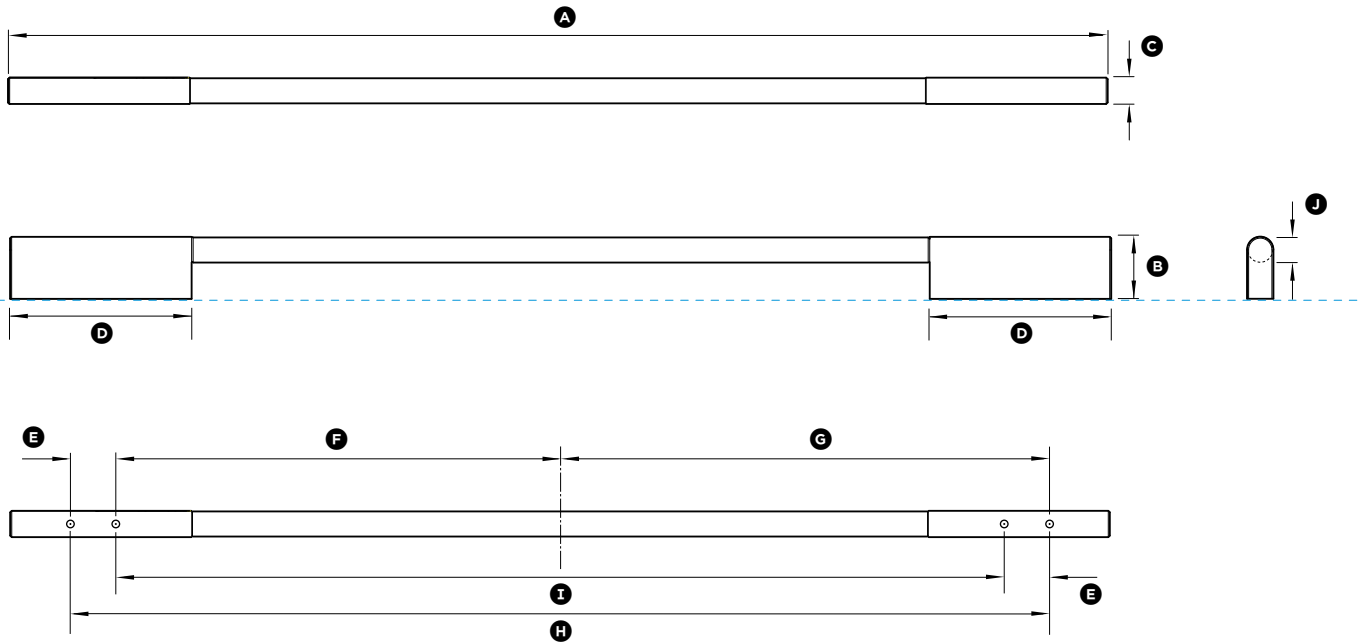
*DishDrawer Double - the dimensions are the same for both handles.
 *Suits standard 19mm panel. Thicker panels may require counterboring or longer screws.

Note: Single DishDrawer requires one handle kit, double DishDrawer requires two handle kits.



INDICATES CABINETSRY / PRODUCT DATUM -----
 INDICATES CABINETSRY CLEARANCES -----

IMPORTANT NOTE: Throughout this guide, dimensions may vary by ±2mm (1/16"). Please read the Installation Guide for detailed information on installing the product. For full installation instructions visit fisherpaykel.com



Model no:
Round Handle AHS-OBDD-60S

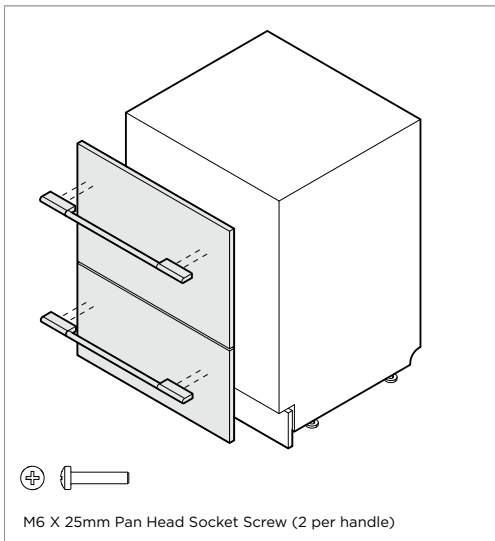
For Models:
DD60DTX6I1, DD60DTX6H11, DD60DI9, DD60DH19

Compatible with door panel kits:
Round Handle for Door Panel Kits ADDD60DPX, ADDD60DTPX

Handle Dimensions	mm
Ⓐ Overall length of handle	565
Ⓑ Overall depth of handle	41
Ⓒ Overall height of handle	17
Ⓓ Length of off-stand	100
Ⓔ Distance between attachment holes between each off-stand	32
Ⓕ Distance from centerline to inner attachment holes	216
Ⓖ Distance from centerline to outer attachment holes	248.5
Ⓜ Distance between inner attachment holes	432
Ⓣ Distance between outer attachment holes	497
Ⓝ Thickness of handle rail	16

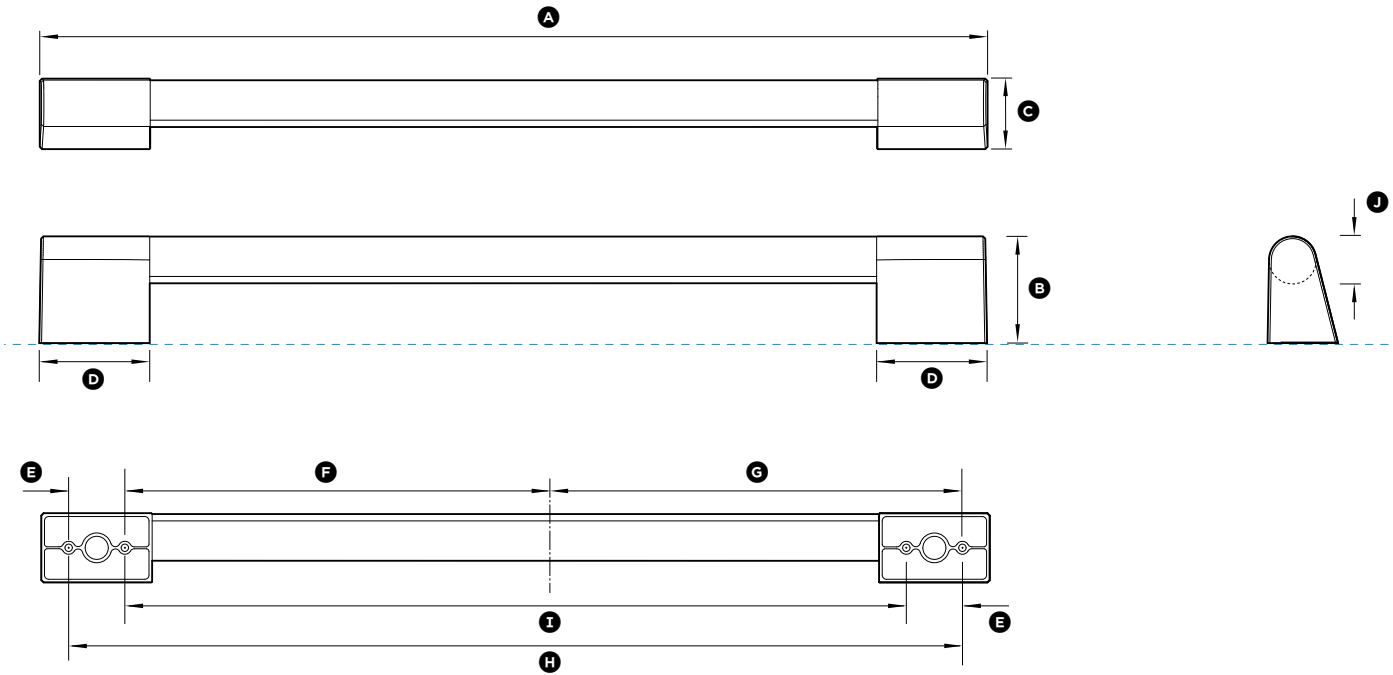
*DishDrawer Double - the dimensions are the same for both handles.
*Suits standard 19mm panel. Thicker panels may require counterboring or longer screws.

Note: Single DishDrawer requires one handle kit, double DishDrawer requires two handle kits.



INDICATES CABINETS / PRODUCT DATUM -----
INDICATES CABINETS CLEARANCES -----

IMPORTANT NOTE: Throughout this guide, dimensions may vary by ±2mm (1/16"). Please read the Installation Guide for detailed information on installing the product. For full installation instructions visit fisherpaykel.com



Model no:
Professional Round Flush Handle AHP3-DWDD-60S

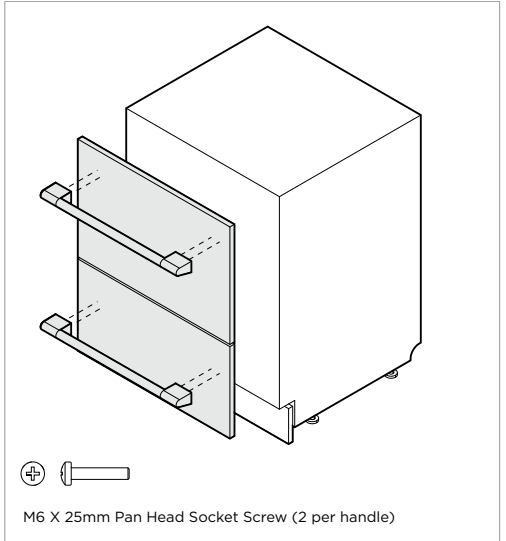
For Models:
DD60DTX6I1, DD60DTX6H11, DD60DI9, DD60DH19

Compatible with door panel kits:
Professional Flush Handle for Door Panel Kits ADDD60DPX, ADDD60DTPX

Handle Dimensions	mm
Ⓐ Overall length of handle	515
Ⓑ Overall depth of handle	58
Ⓒ Overall height of handle	38
Ⓓ Length of off-stand	60
Ⓔ Distance between attachment holes between each off-stand	32
Ⓕ Distance from centerline to inner attachment holes	216
Ⓖ Distance from centerline to outer attachment holes	248.5
Ⓗ Distance between inner attachment holes	432
Ⓙ Distance between outer attachment holes	497
⓵ Thickness of handle rail	25

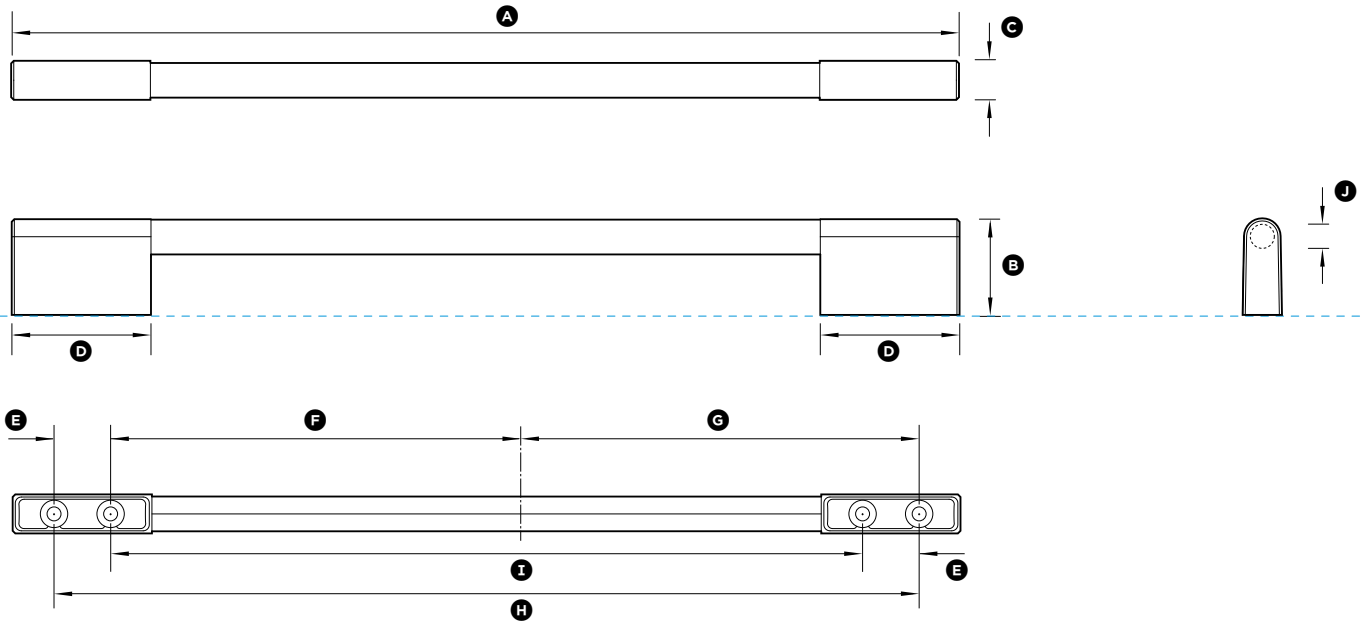
*DishDrawer Double - the dimensions are the same for both handles.
*Suits standard 19mm panel. Thicker panels may require counterboring or longer screws.

Note: Single DishDrawer requires one handle kit, double DishDrawer requires two handle kits.



INDICATES CABINETRY / PRODUCT DATUM -----
INDICATES CABINETRY CLEARANCES -----

IMPORTANT NOTE: Throughout this guide, dimensions may vary by ±2mm (1/16"). Please read the Installation Guide for detailed information on installing the product. For full installation instructions visit fisherpaykel.com



Model no:
Classic Round Handle AHCL-DDDW-60X

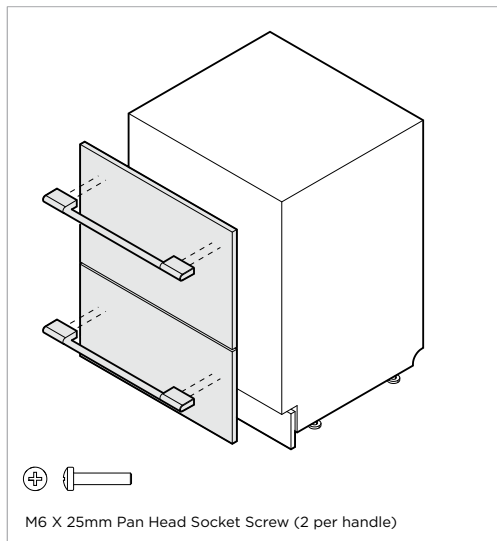
For Models:
DD60DTX6I1, DD60DTX6H11, DD60DI9, DD60DH19

Compatible with door panel kits:
Classic Round Handle for Door Panel Kits ADDD60DPX, ADDD60DTPX

Handle Dimensions	mm
Ⓐ Overall length of handle	544
Ⓑ Overall depth of handle	55
Ⓒ Overall height of handle	22
Ⓓ Length of off-stand	80
Ⓔ Distance between attachment holes between each off-stand	32
Ⓕ Distance from centerline to inner attachment holes	216
Ⓖ Distance from centerline to outer attachment holes	248.5
Ⓜ Distance between inner attachment holes	432
Ⓣ Distance between outer attachment holes	497
Ⓢ Thickness of handle rail	20

*DishDrawer Double - the dimensions are the same for both handles.
*Suits standard 19mm panel. Thicker panels may require counterboring or longer screws.

Note: Single DishDrawer requires one handle kit, double DishDrawer requires two handle kits.



INDICATES CABINETRY / PRODUCT DATUM -----
INDICATES CABINETRY CLEARANCES - - - - -

IMPORTANT NOTE: Throughout this guide, dimensions may vary by ±2mm (1/16"). Please read the Installation Guide for detailed information on installing the product. For full installation instructions visit fisherpaykel.com

