

# Freestanding French Door Refrigerator Freezer, 90cm, 569L, Ice & Water

Series 7 | Contemporary

Black Stainless Steel | French hinge

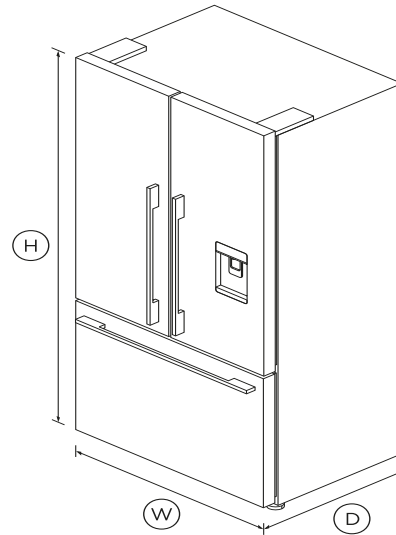


Make a statement in black. With large capacity and flexible storage, water dispenser and ice maker, this model has style and substance.

- ActiveSmart™ technology helps keep food fresher for longer by constantly maintaining the ideal temperature.
- Door water dispenser and internal ice maker
- Spacious bottom freezer with full extension drawer gives easy access to frozen goods.

## DIMENSIONS

Height	1790mm
Width	900mm
Depth	695mm



## FEATURES & BENEFITS

### CLEVER ENERGY

Your refrigerator adapts to daily use by cooling and defrosting only when needed. This means it uses the energy it needs without compromising on food care.

### EASY TO CLEAN

No more dirty marks with our EZKleen feature for stainless steel refrigerators. Anti-fingerprint coating lets you simply wipe clean any finger marks. Spill-safe secure glass shelves easily capture any drips or leaks.

## DESIGN QUALITY

Our refrigerators are designed and built using robust, quality materials, with stainless steel exteriors and solid glass for the interior shelving.

## HUMIDITY CONTROL

Your fruit and veges need different environments. The humidity control slides in each storage bin create a microclimate that helps keep food fresher for longer.

## ICE MAKER

The internal ice maker delivers fresh ice to a dedicated freezer bin. Simply turn it off to free up freezer space or during busy times boost ice production by up to 30%.

## ULTRA SLIM WATER DISPENSER

The slimline water dispenser is easy to use. The angled water delivery means that almost any size or shape of vessel can be filled, while taking up no storage space in your refrigerator door.

## SPECIFICATIONS

### Accessories (sold separately)

Water filter replacement	Part 847200
--------------------------	-------------

### Capacity

Total net volume	569L
Volume freezer	152L
Volume refrigerator	417L

### Consumption

Energy consumption	369kWh/year
Energy rating	F
Energy usage	369kWh/year

**Features**

Adjustable door shelves	6
Adjustable glass shelves	2
Covered door shelves	2
Deli storage bins	2
Door alarm	•
Fruit and vegetable bins	2
LED lighting	•
SmartTouch control panel	•
Soft close doors	•
Stackable bottle holders	4
Ultra slim water dispenser	•
Water Filter	<b>Part number 847200</b>

**Freezer Features**

Automatic ice maker	•
Bottle chill	•
Door alarm	•
Fast freeze	•
Ice Boost	•
Ice bin and scoop	•
LED lighting	•

**Performance**

ActiveSmart™ Foodcare	•
Adaptive defrost	•
Frost free freezer	•
Humidity control system	•
Inverter controlled compressor	•
Noise emissions	<b>42dBA</b>

Noise emissions class	<b>D</b>
Sabbath mode	•

**Power requirements**

Supply voltage	<b>220 - 240V</b>
----------------	-------------------

**Product dimensions**

Depth	<b>695mm</b>
Height	<b>1790mm</b>
Width	<b>900mm</b>

**Warranty**

Parts and labour	<b>5 years</b>
------------------	----------------

SKU 25986

The product dimensions and specifications in this page apply to the specific product and model. Under our policy of continuous improvement, these dimensions and specifications may change at any time. You should therefore check with Fisher & Paykel's Customer Care Centre to ensure this page correctly describes the model currently available. ? Fisher & Paykel Appliances Ltd 2020

**Other product downloads available at fisherpaykel.com**

- [↓ Service & Warranty](#)
- [↓ User & Installation Guide ActiveSmart Refrigerator](#)
- [↓ User Guide](#)
- [↓ Installation & User Guide ActiveSmart Refrigerator](#)
- [↓ Declaration of Conformity](#)
- [↓ Water Filter Replacement Instructions & Installation Guide](#)



**A PEACE OF MIND SALE**

**24 Hours 7 Days a Week Customer Support**

**T 08000886605 Wwww.fisherpaykel.com**