

# Freestanding French Door Refrigerator Freezer, 90cm, 569L, Ice & Water

Series 7 | Contemporary

Black Stainless Steel | French hinge

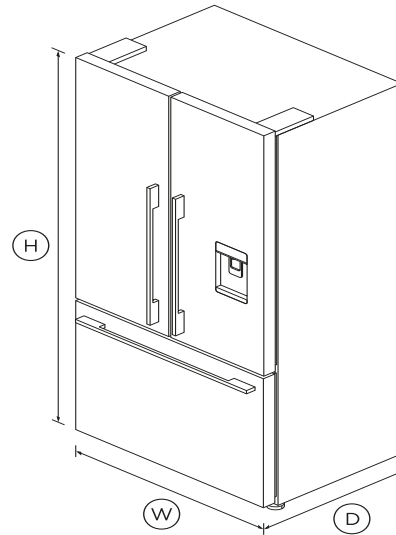


Our largest capacity French Door model has intuitive, flexible storage space, with a sleek black stainless steel finish.

- ActiveSmart™ technology helps keep food fresher for longer by constantly maintaining the ideal temperature.
- Spacious bottom freezer with full extension drawer gives easy access to frozen goods.
- Door water dispenser and internal ice maker

## DIMENSIONS

Height	1790mm
Width	900mm
Depth	695mm



## FEATURES & BENEFITS

### ActiveSmart™ Foodcare

ActiveSmart™ Foodcare learns how you live. It's the technology that understands how you use your refrigerator and adjusts the temperature, airflow and humidity inside to help keep food fresher for longer.

### Clever energy

Your refrigerator adapts to daily use by cooling and defrosting only when needed. This means it uses the energy it needs without compromising on food care.

## EASY TO CLEAN

No more dirty marks with our EZKleen feature for stainless steel fridges. Anti-fingerprint coating means you simply wipe clean any finger marks. Spill-safe secure glass shelves easily capture any drips or leaks.

## Humidity control

Your fruit and veges need different environments. The humidity control slides in each storage bin create a microclimate that helps keep food fresher for longer.

## Design quality

Our refrigerators are designed and built using the best quality materials. We use real stainless steel, and solid glass for the interior shelving.

## Ice maker

Fresh ice is always available for you in a dedicated freezer bin. Simply turn it off to free up freezer space or, during busy times, boost ice production by up to 30%.

## Simple storage

This refrigerator is designed to make it simple for you to store, access and remove food. Storage bins give you full access inside when they're pulled open and can be easily removed to clean. Our flexible shelving also gives you more storage options.

## SPECIFICATIONS

### Accessories (sold separately)

Water filter replacement	847200 - FWC3
--------------------------	---------------

### Capacity

Volume	569L
Volume freezer	152L
Volume refrigerator	417L

**Consumption**

Energy rating	<b>3.5 star</b>
Energy usage	<b>453kWh/year</b>
In-use energy carbon	<b>61.3kgCO2e/year</b>

**Features**

Adjustable door shelves	<b>6</b>
Adjustable glass shelves	<b>2</b>
Cantilevered Shelves	<b>2</b>
Covered door shelves	<b>2</b>
Door alarm	<b>•</b>
Fruit and vegetable bins	<b>2</b>
LED lighting	<b>•</b>
SmartTouch control panel	<b>•</b>
Stackable bottle holders	<b>4</b>
Ultra slim water dispenser	<b>•</b>

**Freezer Features**

Automatic ice maker	<b>•</b>
Bottle chill	<b>•</b>
Door alarm	<b>•</b>
Fast freeze	<b>•</b>
Ice Boost	<b>•</b>
Ice bin and scoop	<b>•</b>
LED lighting	<b>•</b>
Large plastic bins	<b>•</b>
Small plastic bins	<b>•</b>

**Performance**

ActiveSmart™ Foodcare	<b>•</b>
-----------------------	----------

Adaptive defrost	<b>•</b>
Frost free freezer	<b>•</b>
Humidity control system	<b>•</b>
Inverter controlled compressor	<b>•</b>
R600a refrigerant	<b>•</b>
Sabbath mode	<b>•</b>

**Product dimensions**

Depth	<b>695mm</b>
Height	<b>1790mm</b>
Height to top of cabinet	<b>1790mm</b>
Width	<b>900mm</b>

**Warranty**

Parts and labour	<b>2 years</b>
Sealed system parts only	<b>5 years</b>

SKU	<b>26494</b>
-----	--------------

The product dimensions and specifications in this page apply to the specific product and model. Under our policy of continuous improvement, these dimensions and specifications may change at any time. You should therefore check with Fisher & Paykel's Customer Care Centre to ensure this page correctly describes the model currently available. ? Fisher & Paykel Appliances Ltd 2020

**Other product downloads available at fisherpaykel.com**

- [↓](#) Service & Warranty
- [↓](#) Energy Label
- [↓](#) User & Installation Guide ActiveSmart Refrigerator
- [↓](#) User Guide
- [↓](#) Energy Label
- [↓](#) Water Filter Replacement Instructions & Installation Guide EN
- [↓](#) Installation Guide
- [↓](#) Data Sheet Freestanding French Door Fridge Freezer



**A PEACE OF MIND SALE**

**24 Hours 7 Days a Week Customer Support**

**T 0800 372 273 Wwww.fisherpaykel.com**