

Dual Fuel Range, 36", 6 Burners

Series 9 | Professional

Stainless Steel | Natural gas

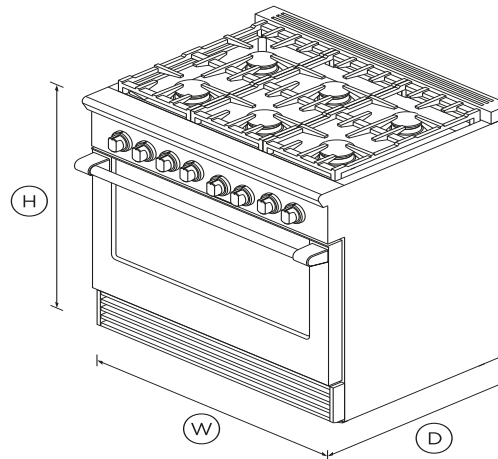


Get the best of gas and convection technology, with a high powered six burner gas cooktop and large capacity oven.

- Top burner heat of 23,500 BTU, for seriously fast boiling
- Convection oven with 4.8 cu ft total capacity
- Non-tip full-extension shelves for safe removal of hot dishes

DIMENSIONS

Height	35 3/4 - 36 3/4"
Width	35 7/8"
Depth	29 1/8"



FEATURES & BENEFITS

Cooktop power

Sealed Dual Flow Burners™ deliver cooktop power up to 23,500 BTU (NG models) for seriously fast boiling right down to a precise 140°F full surface simmer with the gentlest of flames.

Total control

Precise control across high and low settings is delivered through the halo-illuminated cooktop dials. The ovens have true convection and electronic oven control for precise and consistent temperatures.

Consistent broiling

The Dual Fuel Range broiler provides an even heat that covers a very large surface area — perfect for browning a fully loaded oven tray.

Easy to clean

The Dual Fuel Range oven has a self-cleaning function and removable side racks. The cooktop has sealed burners and an encapsulated cooking surface with a commercial-style stainless steel finish.

Instant visibility

Control dials have halo-illumination glowing white – heating up; orange – temperature reached; red – self-cleaning mode. The oven is illuminated by two powerful incandescent lights.

COOKING FLEXIBILITY

The cooktop is designed for easy access to any burner with grates you can smoothly slide pots across. The oven is large enough to hold full size baking sheets.

SPECIFICATIONS

Accessories (sold separately)

Square handle option	AH-R36
----------------------	--------

Burner ratings

Maximum burner power	23500 BTU
Power back centre	18500BTU
Power back left	18500BTU
Power back right	18500BTU
Power front centre	18500BTU
Power front left	23500BTU
Power front right	23500BTU
Total cooktop power	121000 BTU

Capacity	
Shelf positions (main oven)	5

Cleaning	
Pyrolytic self-clean	•

Controls	
Electric circuit	4 wire
Metal illuminated dials	•

Gas Requirements	
Fitting and pipe	½ NPT, min. ⅝" flex line
Supply Pressure (natural gas)	6" to 9" W.C

Oven features	
Auto re-ignition system	•
Concealed element	•
Electronic oven control	•
Full extension telescopic	•
Internal light	•
Large broil pan	•
True convection	•

Oven functions	
Bake	•
Broil	•
Clean	•
Convection Broil	•
Convection bake	•

Number of functions	6
Self-clean function	•
True convection	•

Oven performance	
Bake power	4600
Main oven - True convection	2500W

Power requirements	
Rated current	30A
Supply frequency	60Hz

Product dimensions	
Depth	29 1/8"
Height	35 3/4 - 36 3/4"
Width	35 7/8"

Rangetop features	
Sealed range top	•
Vent trim included	•

Safety	
Full extension telescopic	•

SKU	71370
-----	-------

The product dimensions and specifications in this page apply to the specific product and model. Under our policy of continuous improvement, these dimensions and specifications may change at any time. You should therefore check with Fisher &

Paykel's Customer Care Centre to ensure this page correctly describes the model currently available. ? Fisher & Paykel Appliances Ltd 2020

Other product downloads available at fisherpaykel.com



Service & Warranty



User Guide EN



Installation Guide EN / Guide d'installation FR



Data Sheet Dual Fuel Range



Planning Guide Dual Fuel Range



A PEACE OF MIND SALE

24 Hours 7 Days a Week Customer Support

T 1.888.936.7872 **W**www.fisherpaykel.com