

Dual Fuel Range, 30", 4 Burners, Self-cleaning

Series 9 | Classic

Red

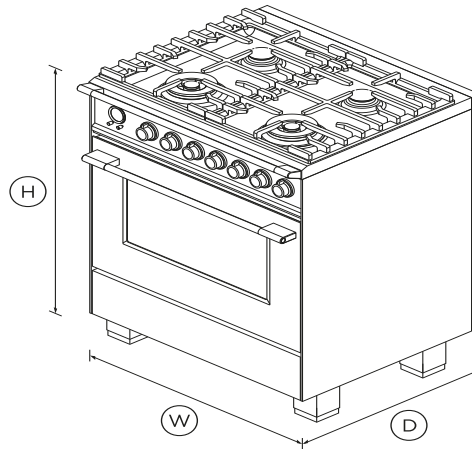


Get the best of both worlds with dual fuel. A gas cooktop with wok burner is paired with a convection oven with 9 functions.

- Four burner gas cooktop with two dual wok burners
- Convection oven with 3.5 cu.ft total capacity and nine oven functions including Roast, Aero Pastry™ with pizza mode and rapid proof for baking bread
- Non-tip full-extension shelves for safe removal of hot dishes, and CoolTouch door
- High-temperature self-cleaning function breaks down food residue for an easy clean

DIMENSIONS

Height	35 3/4 - 37 5/8"
Width	29 7/8"
Depth	25 1/4"



FEATURES & BENEFITS

Multi-shelf cooking

Our AeroTech™ system circulates air evenly throughout the entire oven so dishes on the top shelf turn out just as perfect as food cooking on the bottom shelf.

Quality and durability

Every detail has been carefully crafted. The solid, perfectly balanced soft-close door, durable cooktop grates and glowing halo dials all add up to an exceptional, premium range.

Easy to clean

Cleaning up spills is effortless. Your cooktop simply needs a quick wipe to keep it looking good as new. The self-clean function breaks down food residue at a very high temperature, leaving a light ash that's easily removed with a damp cloth.

Burner power & control

Instant and immediate control from the highest to the gentlest heat. The finely tuned cooktop controls let you sear, stir fry or simmer a delicate sauce to perfection.

Large capacity oven

The generous 3.5 cu.ft total capacity oven gives you plenty of space to cook multiple dishes at once, with enough room to fit a 26 lb turkey.

Even heat

Accurate, electronically-controlled oven heat ensures a great result every time.

SPECIFICATIONS

Accessories

2-pc grill system (Broil pan and Broil pan)	•
Full extension telescopic	2 sets (part 578776)
Small pot support	1 (part 533981 cast)

Accessories (sold separately)

Hob rear trim	3 1/8" (part 84656)
Kick strip, black (optional)	KICKOR30B1
Kick strip, red (optional)	KICKOR30R1
Kick strip, stainless steel	KICKOR90X1
Kick strip, white (optional)	KICKOR30W1

Burner ratings

Dual wok burner inner/outer	1000 - 18000BTU
Dual wok burner inner/outer	1000 - 18000BTU
Maximum burner power	18000 BTU
Semi-rapid burner (LPG)	1500 - 7600BTU
Semi-rapid burner (natural)	1500 - 8000BTU
Total cooktop power	52000 BTU

Capacity

Shelf positions	7
Total capacity	3.5cu ft
Usable capacity	2.9cu ft

Cleaning

- Acid resistant graphite enamel
- Drop down broil element
- Drop down grill element
- Flat easy clean glass surface
- Pyrolytic proof shelf runners
- Pyrolytic self-clean
- Removable oven door
- Removable shelf runners

Controls

- Audio feedback
- Automatic cooking/minute
- Automatic pre-set
- Celsius/Fahrenheit
- Electronic clock
- High resolution display

- Laser etched graphics
- Precise electronic temperature
- Sabbath mode
- Turned stainless steel clock

Gas Requirements

Supply Pressure (LPG)	11" W.C.P
Supply Pressure (natural gas)	4" W.C.P

Oven features

- AeroTech™ technology
- Auto re-ignition system
- Automatic rapid pre-heat
- Bright chromed, cast zinc dials
- Concealed element
- Electronic oven control
- Full extension telescopic
- Internal light **2 x 25W halogen (rear)**
- Soft open/close door
- True convection
- Turned stainless steel clock

Oven functions

- Aero Bake
- Aero™ Pastry with Pizza mode
- Number of functions **9**
- Rapid proof
- Roast
- True convection

Oven performance

Broil power	4050W
CoolTouch door	Triple glazed
Warming drawer power	220W

Power requirements

Amperage	30A
Supply frequency	60Hz

Product dimensions

Depth	25 1/4"
Height	35 3/4 - 37 5/8"
Width	29 7/8"

Rangetop features

- Brass burner spreader (power)
- Embossed brass burner cap
- Hob rail
- Hob rear trim **3 1/8" (part 84656)**
- LPG/Natural gas compatible
- Sealed range top

Rangetop Performance

Number of burners	4
-------------------	----------

Safety

- ADA compliant
- Advanced cooling system
- Anti-tilt bracket
- Balanced oven door

- Catalytic venting system •
- Full extension telescopic •
- Non-tip shelves •
- Spill containment **1/2 gallon**

SKU 81720

The product dimensions and specifications in this page apply to the specific product and model. Under our policy of continuous improvement, these dimensions and specifications may change at any time. You should therefore check with Fisher & Paykel's Customer Care Centre to ensure this page correctly describes the model currently available. ? Fisher & Paykel Appliances Ltd 2020

Other product downloads available at fisherpaykel.com

- [!\[\]\(79de0df6c6ddd2d4eb74f1cc5f48ec50_img.jpg\) Guide d'utilisation FR](#)
- [!\[\]\(d4c9768318b38eff1042b07478e20b4c_img.jpg\) Service & Warranty](#)
- [!\[\]\(27d314856359a9d7feca17161bc1f4a4_img.jpg\) User Guide Freestanding Range EN](#)
- [!\[\]\(d355663486c698e3972a8b93ac8b2102_img.jpg\) Installation Guide EN](#)
- [!\[\]\(1858f6a9022d088c0a7eca873f99643b_img.jpg\) Guide d'installation FR](#)
- [!\[\]\(4a9a9afe1808e44249cde903a007394f_img.jpg\) Data Sheet Dual Fuel Range](#)



A PEACE OF MIND SALE

24 Hours 7 Days a Week Customer Support

T 1.888.936.7872 W www.fisherpaykel.com