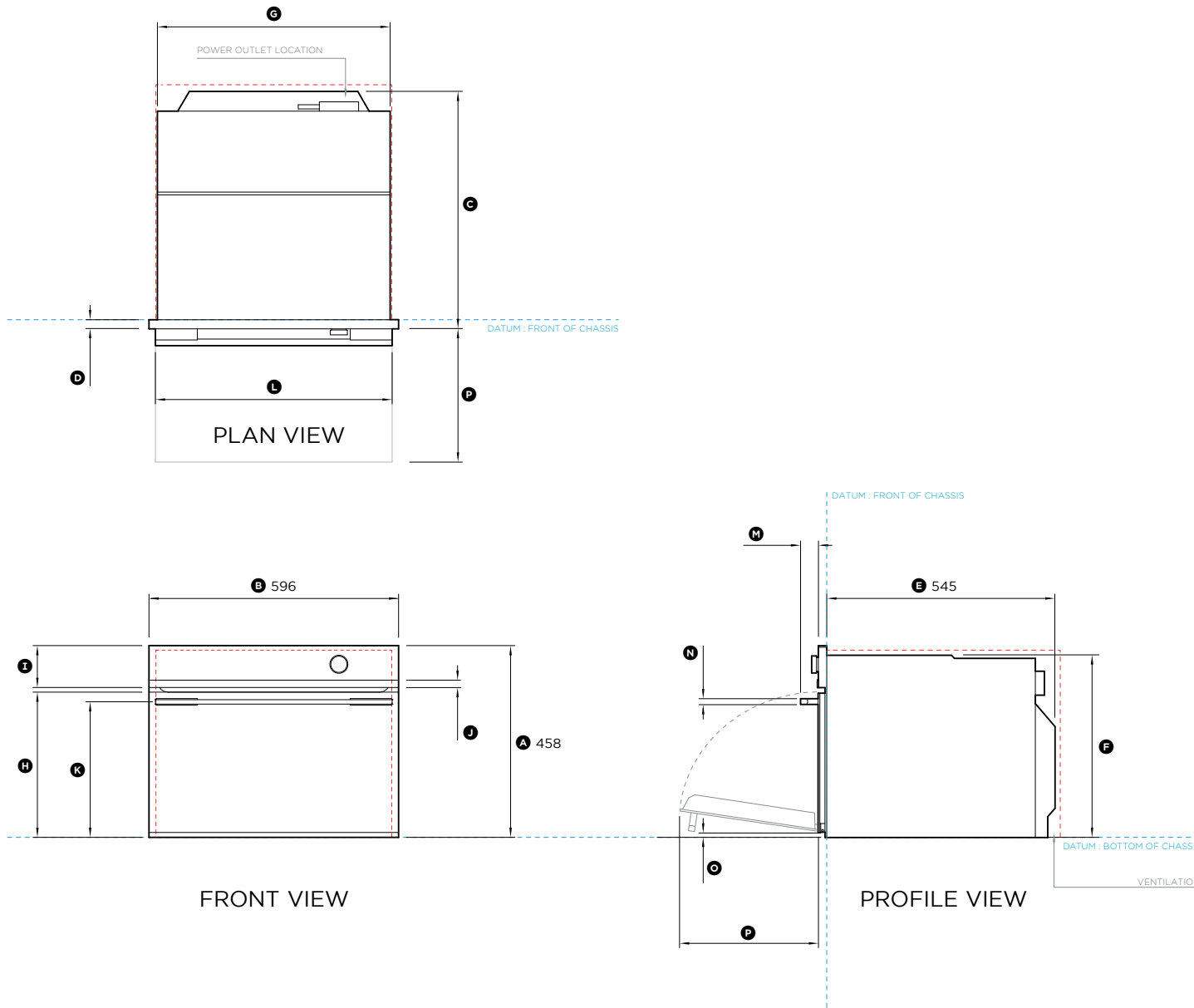


# FISHER & PAYKEL

## DATA SHEET Combination Microwave Oven, 60cm

Model no:

**OM60NDTDX1**



Product Dimensions	mm
Ⓐ Overall height of oven	458
Ⓑ Overall width of oven	596
Ⓒ Overall depth of oven (excludes handle and front metal trim)	565
Ⓓ Depth of oven frame, control panel and door (excludes handle and front metal trim)	20
Ⓔ Depth of chassis (includes terminal block)	545
Ⓕ Height of chassis	435
Ⓖ Width of chassis	556
Ⓗ Height from bottom datum to top of oven door	347
Ⓙ Height of control panel	100
Ⓚ Height of metal cap on control panel	20
Ⓛ Height from bottom datum to centerline of handle	324
Ⓜ Width of handle	565
Ⓝ Depth of handle (measured from front of door)	42
Ⓟ Thickness of handle	16
Ⓠ Distance from bottom datum to bottom of door glass	12
Ⓡ Depth of door when open (measured from front of door)	320

Minimum Clearances	mm
Minimum inside height of cavity	440
Minimum inside width of cavity	560
Minimum inside depth of cavity	550
Overall height of cabinetry (cavity around front frame)	460
Overall width of cabinetry (cavity around front frame)	600
Rear ventilation air vent depth*	50
Rear ventilation air vent width*	560

\* A rear ventilation air vent totalling 44in2 (280cm<sup>2</sup>) is required. The air vent must be located at the rear of the cabinet, it can be positioned at the base, sides, back or top of the cavity.

IMPORTANT NOTE: For full installation and clearance details please refer to the installation guide.

INDICATES PRODUCT DATUM -----  
INDICATES CABINETRY CLEARANCES - - - - -

DATE: **02.09.2022**

IMPORTANT NOTE: Throughout this guide, dimensions may vary by ±2mm (1/16"). Please read the installation manual for detailed information on installing the product. For full installation instructions & specifications visit [fisherpaykel.com](http://fisherpaykel.com)

