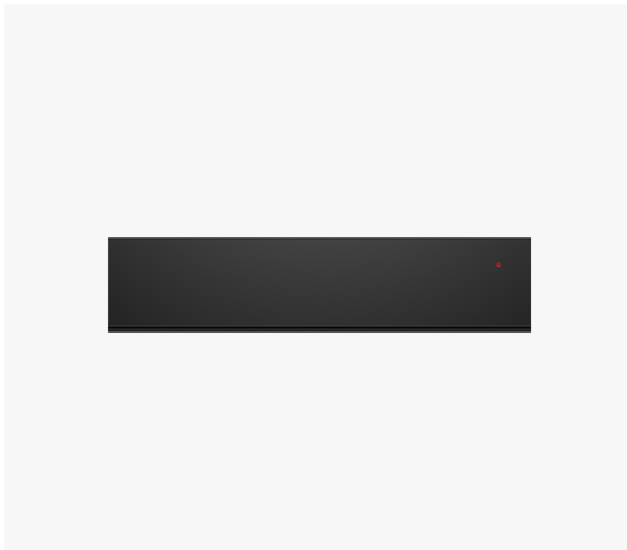


# 60cm Series 9 Minimal Warming Drawer

Series 9 | Minimal

Black Glass

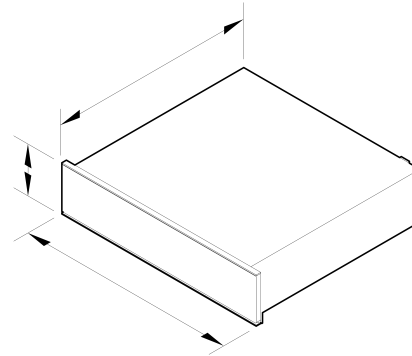


Serve meals hot and directly from a pre-heated plate thanks to our panel-ready, warming drawer.

- Integrates with surrounding cabinetry for a seamless look
- Space to keep six standard-sized place settings evenly warm
- Easy to clean smooth-glass base
- Six versatile tailored programmes for warming, proofing, dehydrating and slow cooking

## DIMENSIONS

Height	140 mm
Width	596 mm
Depth	567 mm



## SPECIFICATIONS

<b>Capacity</b>	
Cappuccino cups	20
Espresso cups	42
Maximum allowable weight	25 kg
Place settings	6
Usable depth	408 mm
Usable height	98 mm
Usable width	535 mm

## Cleaning

- Easy clean smooth-glass base

## Controls

- Audio feedback
- Automatic pre-set temperatures
- Automatic timers **30', 45', 1h, 2h, 4h, 6h**
- Delayed start
- Electronic capacitive touch controls
- On/Off indicator
- Pre-set heating functions
- Push-to-open drawer
- Standby mode

## Functions

- Cups
- Dehydrate
- Number of functions **6**
- Plates
- Rapid proof
- Slow cook
- Warm

## Performance

- Heated glass base and fan
- Low temperature cooking
- Temperature levels **6**

Temperature range **35°C-85°C**

Other product downloads available at [fisherpaykel.com](https://fisherpaykel.com)

- [↓](#) 2D-DWG
- [↓](#) 2D-DXF Warming Drawer
- [↓](#) Service & Warranty
- [↓](#) Planning Guide EN - 60cm Handleless Ovens and Companions
- [↓](#) Planning Guide ZH
- [↓](#) Revit
- [↓](#) Rhino
- [↓](#) Sketchup

#### Power requirements

Amperage **10 A**

Power cord length **1800 mm**

Supply frequency **50 Hz**

Supply voltage **220 V**

#### Product dimensions

Adjustable front door panel to align with surrounding cabinetry •

Depth **567 mm**

Height **140 mm**

Width **596 mm**

#### Where applicable:

All appliances use energy, and energy usage typically generates carbon emissions. **Fisher & Paykel Appliances' In-use Energy Carbon Emissions Estimate** indicates carbon emissions from a product's in-use energy. This is calculated either annually or per cycle, using the product's market-specific energy label energy consumption data multiplied by the carbon emissions factor for energy in your country or region.

Our In-use Energy Carbon Emissions Estimate is designed to assist customers in making informed purchasing decisions when comparing different Fisher & Paykel products. For example, a heat pump dryer typically has a lower In-use Energy Carbon Emissions Estimate than a vented dryer.

#### Safety

Automatic turn off after 12 hours •

Full extension slides •

SKU **84252**

The product dimensions and specifications in this page apply to the specific product and model. Under our policy of continuous improvement, these dimensions and specifications may change at any time. You should therefore check with Fisher & Paykel's Customer Care Centre to ensure this page correctly describes the model currently available. © Fisher & Paykel Appliances Ltd 2020