

Integrated Column Refrigerator, 30"

Series 9 | Integrated

Panel Ready | Left hinge

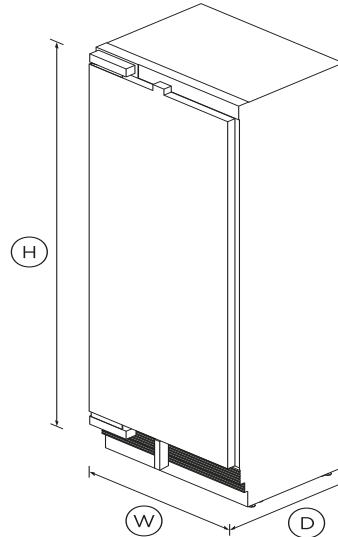


Install it separately or pair with another Column for seamless kitchen integration - this model is left hinge with white interior.

- ActiveSmart™ technology helps keep food fresher for longer by constantly maintaining the ideal temperature
- Two separate Variable Temperature Zones: each with Fridge, Pantry or Chill
- Customize with your own kitchen cabinetry or purchase our stainless steel door panel accessory

DIMENSIONS

Height	84"
Width	29 3/4"
Depth	24"



FEATURES & BENEFITS

Variable Temperature Zones

Food is stored in two separate zones. You have the choice of three food modes: Fridge 32°F to 44°F, Pantry 52°F to 56°F and Chill 29°F to 32°F.

Mix & Match

Integrated Column Refrigeration gives you the freedom to mix and match. Different sized Column Fridges and Freezers can be installed separately or paired. Finish them with our stainless steel door panels or customize to match your own kitchen cabinetry.

Clever Energy

Our Energy Star-certified ActiveSmart™ Refrigerators & Freezers adapt to daily use by cooling and defrosting only when needed. This means your refrigerator uses the energy it needs without compromising on food care.

Appealing Illumination

Bright LEDs light up the ceiling, shelves, bins and tray in both refrigerator and freezer, making it easy to find your food and creating a welcoming glow in your kitchen for those midnight snacks.

Design Quality

The premium design and quality finish includes a white or stainless steel interior lining, as well as full-extension metal shelf runners for easy access and robust glass shelving.

Easy Install

Integrated Column Refrigerators and Freezers have been developed to make their installation easy. The joiner kit is included when pairing refrigerator and freezers. All models come with front adjustable levelling feet and they've been designed to easily slide into place as separate units.

Perfect Fit

These models fit flush and have only 1/8" gaps around them with no visible hinges or grilles. Our Integrated Column models can be seamlessly hidden behind your cabinetry or you can purchase our stainless steel door panel.

SPECIFICATIONS

Accessories (sold separately)

Door panel stainless steel	30" Left hinge RD3084L4D
Handle kit Contemporary	AHS-RD84
Handle kit Contemporary	AHD5RDSF
Handle kit Contemporary	AHD5RDSFB
Handle kit Contemporary	AHD3-RD84

Handle kit Professional round	AHC-RD84	LED bin lighting	•
Handle kit Professional round	AHP3RDSF	LED ceiling lighting	•
Handle kit Professional square	AHV2-RD84	LED lighting	•
Joiner kit	AJ-RS84LR	LED side lighting	•
Toe kick stainless steel 30"	AKRS3004	SmartTouch interface at	•
Toe kick stainless steel 48"	AKRS4804	Soft-close fruit and vegetable	•
Toe kick stainless steel 54"	AKRS5404	Stackable bottle holders	4
Toe kick stainless steel 60"	AKRS6004		
Toe kick stainless steel 66"	AKRS6604		
Toe kick stainless steel 72"	AKRS7204		
Toe kick stainless steel 78"	AKRS7804		
Toe kick stainless steel 84"	AKRS8404		
Water filter replacement	847200 - FWC3		

Capacity

Total gross capacity	16.3cu ft
Volume	16.3cu ft
Volume refrigerator	16.3cu ft

Consumption

Energy rating	Energy star
Energy usage	247kWh/year
In-use energy carbon	90.5kgCO2e/year

Features

Adjustable door shelves	4
Adjustable glass cantilevered	•
Covered door shelves	1
Door alarm	•
Fruit and vegetable bins	4

LED bin lighting	•
LED ceiling lighting	•
LED lighting	•
LED side lighting	•
SmartTouch interface at	•
Soft-close fruit and vegetable	•
Stackable bottle holders	4

Performance

ActiveSmart™ Foodcare	•
Dual evaporator	•
Humidity control system	•
Inverter controlled compressor	•
Sabbath mode	•
Variable food modes	Pantry; Fridge; Chill
Variable temperature zones	2

Power requirements

Rated current	10A
Supply frequency	60Hz
Supply voltage	115V

Product dimensions

Depth	24"
Height	84"
Width	29 3/4"

Product information

Packaged weight	309lbs
Unpackaged weight	294lbs

Safety and compliance

ADA compliant	•
---------------	---

Warranty

Parts and labor	2 years
Sealed system parts and labor	additional 3 years

SKU	26127
-----	-------

The product dimensions and specifications in this page apply to the specific product and model. Under our policy of continuous improvement, these dimensions and specifications may change at any time. You should therefore check with Fisher & Paykel's Customer Care Centre to ensure this page correctly describes the model currently available. Fisher & Paykel Appliances Ltd 2020

Where applicable:

All appliances use energy, and energy usage typically generates carbon emissions. **Fisher & Paykel Appliances' In-use Energy Carbon Emissions Estimate** indicates carbon emissions from a product's in-use energy. This is calculated either annually or per cycle, using the product's market-specific energy label energy consumption data multiplied by the carbon emissions factor for energy in your country or region.

Our In-use Energy Carbon Emissions Estimate is designed to assist customers in making informed purchasing decisions when comparing different Fisher & Paykel products. For example, a heat pump dryer typically has a lower In-use Energy Carbon Emissions Estimate than a vented dryer.

Other product downloads available at fisherpaykel.com

- [↓](#) User Guide
- [↓](#) Energy Label
- [↓](#) User Guide EN
- [↓](#) Service & Warranty
- [↓](#) Installation Guide
- [↓](#) Guide d'installation - Instructions de Remplacement du Filtre à Eau FR
- [↓](#) Installation Guide
- [↓](#) Installation Guide Toe Kick
- [↓](#) Specification Guide Integrated Column Refrigerator
- [↓](#) Data Sheet Integrated Column Refrigerator
- [↓](#) Data Sheet Integrated Column Refrigerator Dual Install (18" + 30")
- [↓](#) Data Sheet Integrated Column Refrigerator Dual Install (24" + 30")
- [↓](#) Data Sheet Integrated Column Refrigerator Dual Install (30" + 30")
- [↓](#) Planning Guide Integrated Column Refrigerator
- [↓](#) Key Purchase Decisions Integrated Column Refrigerator



A PEACE OF MIND SALE

24 Hours 7 Days a Week Customer Support

T 1.888.936.7872 W www.fisherpaykel.com