

FISHER & PAYKEL

PRELIMINARY SPECIFICATION GUIDE

INTEGRATED RANGEHOOD SERIES 7



OVERVIEW

Engineered for optimum extraction of fumes, smoke and vapour. A powerful centrifugal fan removes cooking odours from the kitchen, while extremely fine filters trap grime. The hidden designer LED lightstrip ensures generous light coverage of the entire cooking area.

MODELS

Integrated Rangehood, 60cm
HP60IDCHX3

Integrated Rangehood, 90cm
HP90IDCHX3

SERIES & STYLE

Series 7
Integrated

FEATURES

- ① Sleek black glass finish with stainless steel frame
- ② Perimeter extraction
- ③ 9-Watt LED lightstrip
- ④ Intuitive touch controls
- ⑤ 4-speed motor
- ⑥ Auto off timer function
- ⑦ Dishwasher-safe aluminium filters
- ⑧ 150mm diameter duct
- ⑨ Recirculation options available

ACCESSORIES

- ① Eave Ducting Kit
- ② Roof Ducting Kit
- ③ Wall Ducting Kit
- ④ Recirculation Carbon Filters

FISHER & PAYKEL

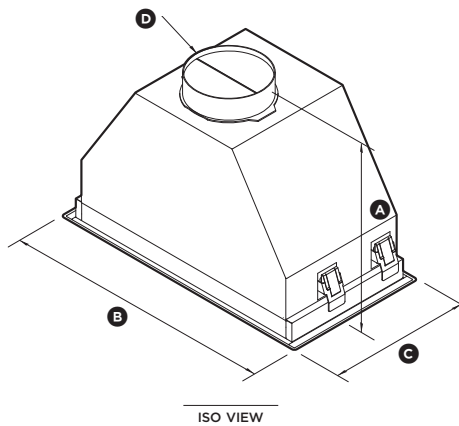
PRELIMINARY SPECIFICATION GUIDE

60CM INTEGRATED RANGEHOOD SERIES 7

SPECIFICATIONS

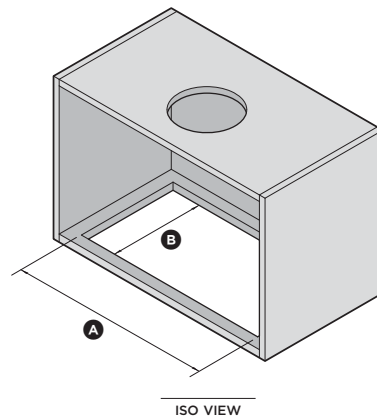
Model No.	HP60IDCHX3 (1115m ³ /hour airflow)
Maximum pressured air movement	(EN61591): 820m ³ /hour
Maximum decibel rating	65dBA
Dimensions	H 316mm x W 492 x D 255mm
Diameter of vent connection	150mm
Weight	8.2kg
Minimum distance above cooktops	Electric: 600 – 750mm Gas: 650 – 750mm
Electrical	
Supply	220 – 240VAC, 50Hz
Receptacle	3-pin plug
Light source	
Type	LED strip
Temperature	3000K

PRODUCT DIMENSIONS



		mm
(A)	Height of rangehood including duct adaptor	361
(B)	Overall width of rangehood	530
(C)	Overall depth of rangehood (excl. cabinetry front panel)	280
(D)	Diameter of ducting adaptor	150

CAVITY DIMENSIONS: STANDARD INSTALLATION



		mm
(A)	Width of cutout	500
(B)	Depth of cutout	260

Note: We recommend the cabinet has a door or service panel that can be easily opened to access the power connection.

FISHER & PAYKEL

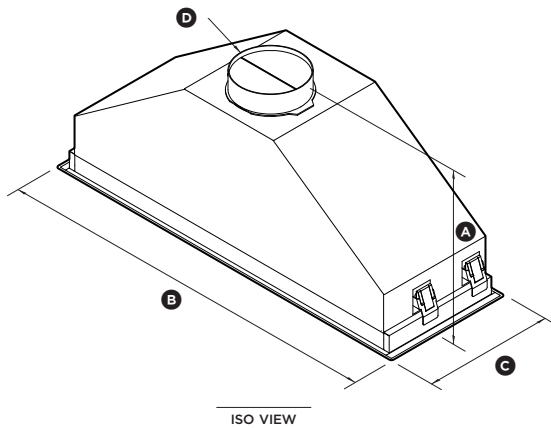
PRELIMINARY SPECIFICATION GUIDE

90CM INTEGRATED RANGEHOOD SERIES 7

SPECIFICATIONS

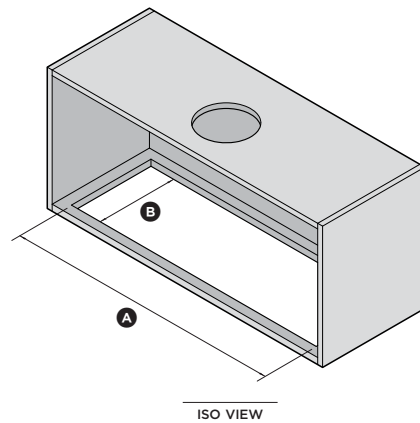
Model No.	HP90IDCHX3 (1115m ³ /hour airflow)
Maximum pressured air movement	(EN61591): 820m ³ /hour
Maximum decibel rating	65dBA
Dimensions	H 316mm x W 792 x D 255mm
Diameter of vent connection	150mm
Weight	11.5kg
Minimum distance above cooktops	Electric: 600 – 750mm Gas: 650 – 750mm
Electrical	
Supply	220 – 240VAC, 50Hz
Receptacle	3-pin plug
Light source	
Type	LED strip
Temperature	3000K

PRODUCT DIMENSIONS



		mm
(A)	Height of rangehood including duct adaptor	361
(B)	Overall width of rangehood	830
(C)	Overall depth of rangehood (excl. cabinetry front panel)	280
(D)	Diameter of ducting adaptor	150

CAVITY DIMENSIONS: STANDARD INSTALLATION



		mm
(A)	Width of cutout	800
(B)	Depth of cutout	260

Note: We recommend the cabinet has a door or service panel that can be easily opened to access the power connection.