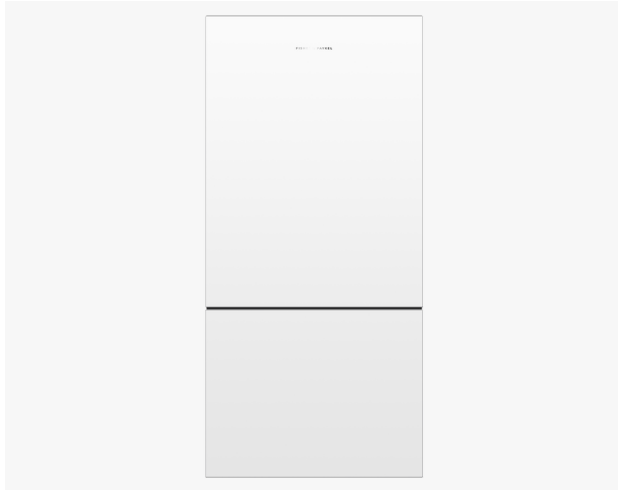


# Freestanding Refrigerator Freezer, 79cm, 494L

Series 5 | Contemporary

White | Left hinge

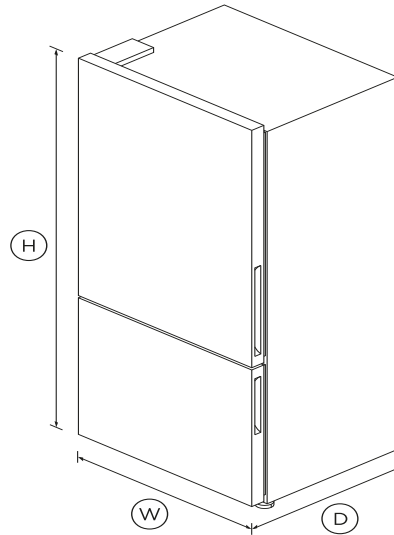


With ample storage and a stylish stainless steel finish, for a timeless look.

- ActiveSmart™ technology helps keep food fresher for longer by constantly maintaining the ideal temperature.
- Spacious bottom freezer with easy-slide internal drawers to separate storage

## DIMENSIONS

Height	1720mm
Width	790mm
Depth	695mm



## FEATURES & BENEFITS

### ACTIVESMART™ FOODCARE

ActiveSmart™ Foodcare learns how you live. It's technology which understands how you use your refrigerator and adjusts temperature, airflow and humidity inside to help keep food fresher for longer.

### HUMIDITY CONTROL

Your fruit and veges need different environments. The humidity control slides in each storage bin create a microclimate that helps keep food fresher for longer.

### SIMPLE STORAGE

This fridge is designed to make it simple for you to store, access and remove food. Storage bins give you full access inside when they're pulled open and can be easily removed to clean. Our flexible shelving also gives you more storage options.

### CLEVER ENERGY

Your refrigerator adapts to daily use by cooling and defrosting only when needed. This means it uses the energy it needs without compromising on food care.

### EASY CLEANING

Spill-safe secure glass shelves easily capture any drips or leaks and prevent them from falling on items below.

### DESIGN QUALITY

Our refrigerators are designed and built using quality materials. We use pre-painted steel, and solid glass for shelving.

## SPECIFICATIONS

### Capacity

Volume	494L
Volume freezer	146L
Volume refrigerator	348L

### Consumption

Energy rating	3 star
Energy usage	467kWh/year

### Features

Adjustable door shelves	4
Adjustable glass shelves	4
Covered door shelves	2
Door alarm	•

Front levelling feet	•	Parts and labour	<b>2 years</b>
Fruit and vegetable bins	<b>2</b>	Sealed system parts only	<b>additional 3 years</b>
LED lighting	•		
Rear rollers	•		
Single bottle holders	<b>2</b>	SKU	26421
SmartTouch control panel	•		

**Freezer Features**

- Bottle chill •
- Fast freeze •
- Ice bin and scoop •
- Ice trays **2**
- Large plastic bins •
- Slide Out Pastry Tray •
- Small plastic bins •

**Performance**

- ActiveSmart™ Foodcare •
- Adaptive defrost •
- Frost free freezer •
- Humidity control system •
- Inverter controlled compressor •

**Product dimensions**

Depth	<b>695mm</b>
Height	<b>1720mm</b>
Height to top of cabinet	<b>1720mm</b>
Width	<b>790mm</b>

**Warranty**

The product dimensions and specifications in this page apply to the specific product and model. Under our policy of continuous improvement, these dimensions and specifications may change at any time. You should therefore check with Fisher & Paykel's Customer Care Centre to ensure this page correctly describes the model currently available. ? Fisher & Paykel Appliances Ltd 2020

**Other product downloads available at fisherpaykel.com**

- [↓](#) Service & Warranty
- [↓](#) User & Installation Guide ActiveSmart Refrigerator
- [↓](#) Data Sheet Freestanding Refrigerator Freezer



**A PEACE OF MIND SALE**

**24 Hours 7 Days a Week Customer Support**

**T 1300 650 590 Wwww.fisherpaykel.com**