

# FISHER & PAYKEL

## PRELIMINARY SPECIFICATION GUIDE

## FREESTANDING DISHWASHER, 60CM, SANITISE



### OVERVIEW

Freestanding design for flexible installation anywhere in the kitchen. Adjustable storage allows for easy stacking, while a combination of clever technologies means a reliable wash performance.

### MODELS

**Freestanding Dishwasher, 15 Place Settings, Sanitise, Stainless Steel**  
DW60FC1X2

### SERIES & STYLE

Series 5  
Contemporary Style

### FEATURES

- ① Freestanding installation anywhere in the kitchen, including under bench heights between 848-893mm
- ② 15 place setting capacity and easily accommodates plate sizes up to 320mm
- ③ Seven wash programs including Auto, Eco and 60 Min cycles
- ④ ThermoDry technology to remove excess moisture at the end of the cycle
- ⑤ Flexible racking including adjustable upper basket, cutlery basket and foldable cupracks
- ⑦ Front-of-door controls with status display
- ⑧ With 3.5 star energy and 5 star water rating\*
- ⑨ Quiet wash performance, running at a decibel rating of 48dBA\*\*

\*Energy and water ratings subject to change. Final certification pending.  
\*\*Noise levels subject to change

# FISHER & PAYKEL

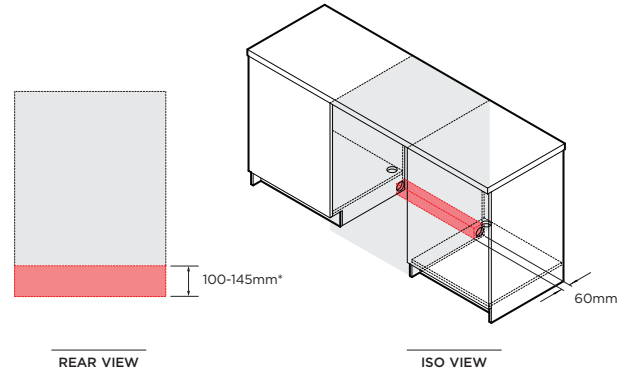
## PRELIMINARY SPECIFICATION GUIDE

## FREESTANDING DISHWASHER, 60CM, SANITISE

### PRODUCT SPECIFICATIONS

<b>Model No.</b>	DW60FC1X2
<b>Dimensions</b>	H 848 - 893mm W 597mm D 600mm
<b>Electrical</b>	
<b>Supply</b>	230 VAC, 50 Hz
<b>Service</b>	10 Amp circuit
<b>Receptacle</b>	3-prong grounding-type
<b>Plumbing</b>	
<b>Supply</b>	3/4 BSP (20mm) connector water inlet hose
<b>Pressure</b>	Min 150 kPa (22 psi) Max 827 kPa (120 psi) @ 20°C

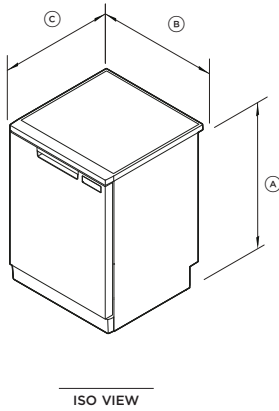
### PLUMBING AND ELECTRICAL



Service outlet at rear extends both sides, hoses and cords can be routed to either or both sides.

\*Depending of adjustment of levelling feet.

### PRODUCT DIMENSIONS

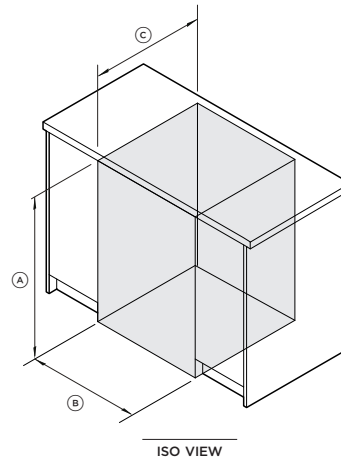


ISO VIEW

	mm
(A) Overall height*	848 - 893
(B) Overall width	597
(C) Overall depth	600

\*Depending on adjustment of levelling feet

### CAVITY DIMENSIONS: STANDARD INSTALLATION



ISO VIEW

	mm
(A) Overall height with top deck*	850 - 895
Overall height without top deck*	820 - 865
(B) Overall width	600
(C) Overall depth	min. 605

\*Depending on adjustment of levelling feet