

FISHER & PAYKEL

30" PROFESSIONAL
RANGES & BACKGUARDS

RGV2-304, RDV2-304, RGV2-305, RDV2-305,
BGRV2-1230, BGRV2-3030, BGRV2-3030H models

PLANNING GUIDE

CONTENTS

30" Professional Range RGV2-304 & RDV2-304, RGV2-305, RDV2-305	PAGE	
	in	mm
Key Design Decisions	5	17
Ventilation Requirements	6	18
<hr/>		
30" Professional Range RGV2-304 & RDV2-304		
Product & Cavity Dimensions	7	19
Clearance Dimensions	8	20
Cavity Preparation	9	21
<hr/>		
30" Professional Range RGV2-305, RDV2-305		
Product & Cavity Dimensions	10	22
Clearance Dimensions	11	23
Cavity Preparation	12	24
<hr/>		

CONTENTS (continued)

30" Professional Range Backguard BGRV2-1230	PAGE	
	in	mm
Product Dimensions	13	25

30" Professional Range Backguard BGRV2-3030		
Product Dimensions	14	26

30" Professional Range Backguard BGRV2-3030H		
	in	mm
Product Dimensions	15	27

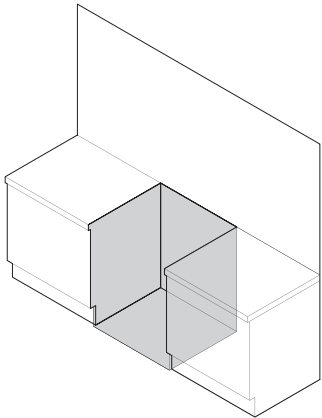
IMPERIAL

FISHER & PAYKEL

KEY DESIGN DECISIONS 30" Professional Range

1

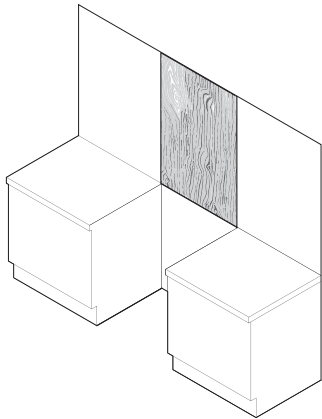
INSTALL TYPE



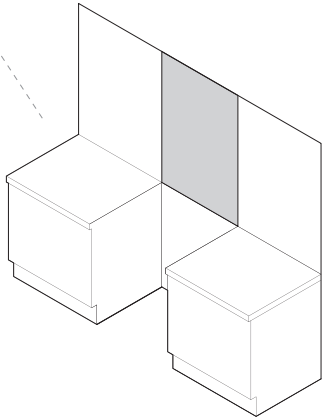
WALL

2

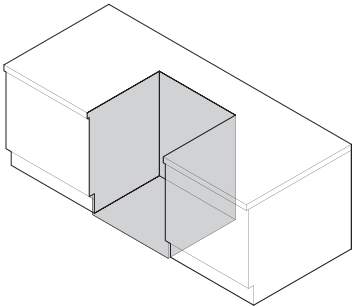
REAR SURFACE



COMBUSTIBLE



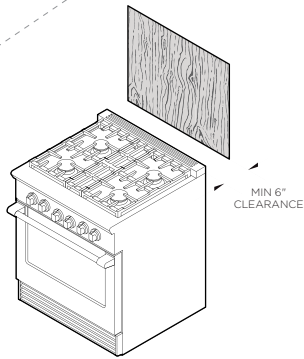
NON COMBUSTIBLE



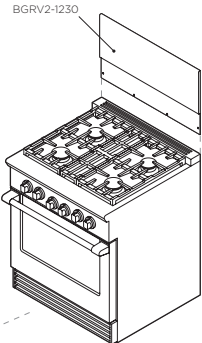
ISLAND

3

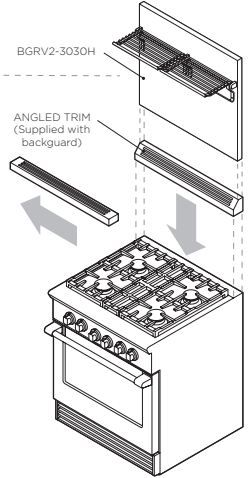
BACKGUARD OPTIONS



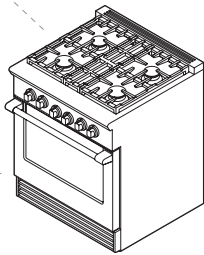
NO BACKGUARD



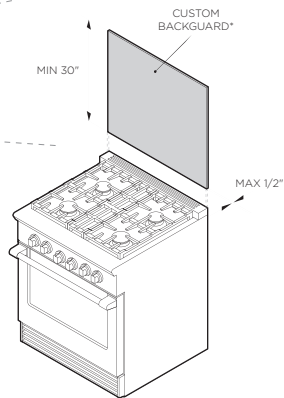
LOW THIN BACKGUARD



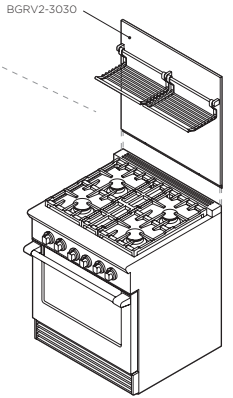
HIGH THICK BACKGUARD WITH ANGLED TRIM



NO BACKGUARD



CUSTOM FABRICATED* BACKGUARD
*Fabricated from non combustible materials only.



HIGH THIN BACKGUARD

Model no:
RGV2-304, RDV2-304
RGV2-305, RDV2-305

DATE: 24.04.2018

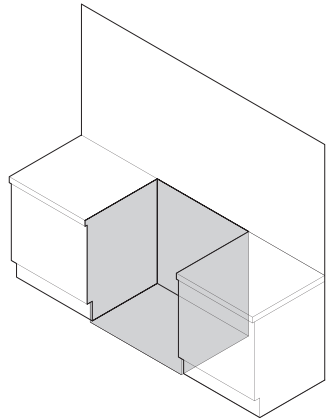
IMPORTANT: Throughout this guide, dimensions may vary by ±2mm (1/16"). Read the installation guide for detailed information on installing the product. For full installation instructions and specifications visit fisherpaykel.com

FISHER & PAYKEL

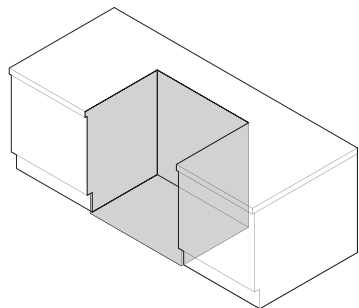
VENTILATION REQUIREMENTS 30" Professional Range

1

INSTALL TYPE



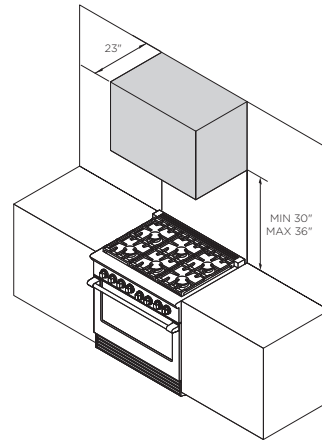
WALL



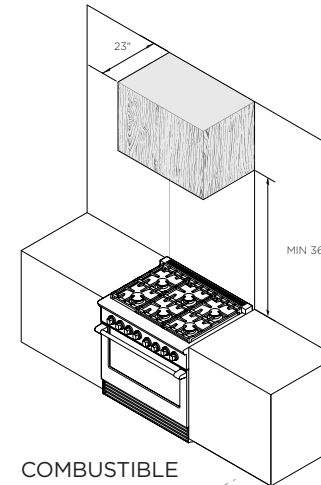
ISLAND

2

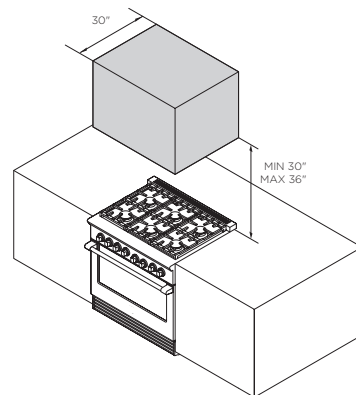
HOOD SURROUND MATERIAL



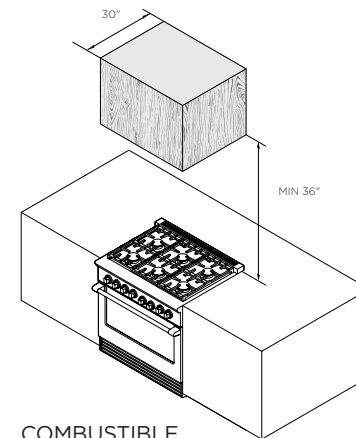
NON COMBUSTIBLE



COMBUSTIBLE



NON COMBUSTIBLE



COMBUSTIBLE

Model no:

RGV2-304, RDV2-304

RGV2-305, RDV2-305

(Note: RGV2-366 illustrated but all dimensions apply to the above models)

Specifications

Ventilation Unit

Wall Installation	
Hood	23" Deep x Unit Width
Blower	600 CFM

Ventilation Unit

Island Installation	
Hood	30" Deep x Unit Width
Blower	600 CFM

Note: A suitable hood must be installed above the range. The above indicates the minimum blower capacity recommended for hood ventilation.

DATE: 24.04.2018

IMPORTANT: Throughout this guide, dimensions may vary by $\pm 2\text{mm}$ (1/16"). Read the installation guide for detailed information on installing the product. For full installation instructions and specifications visit fisherpaykel.com

FISHER & PAYKEL

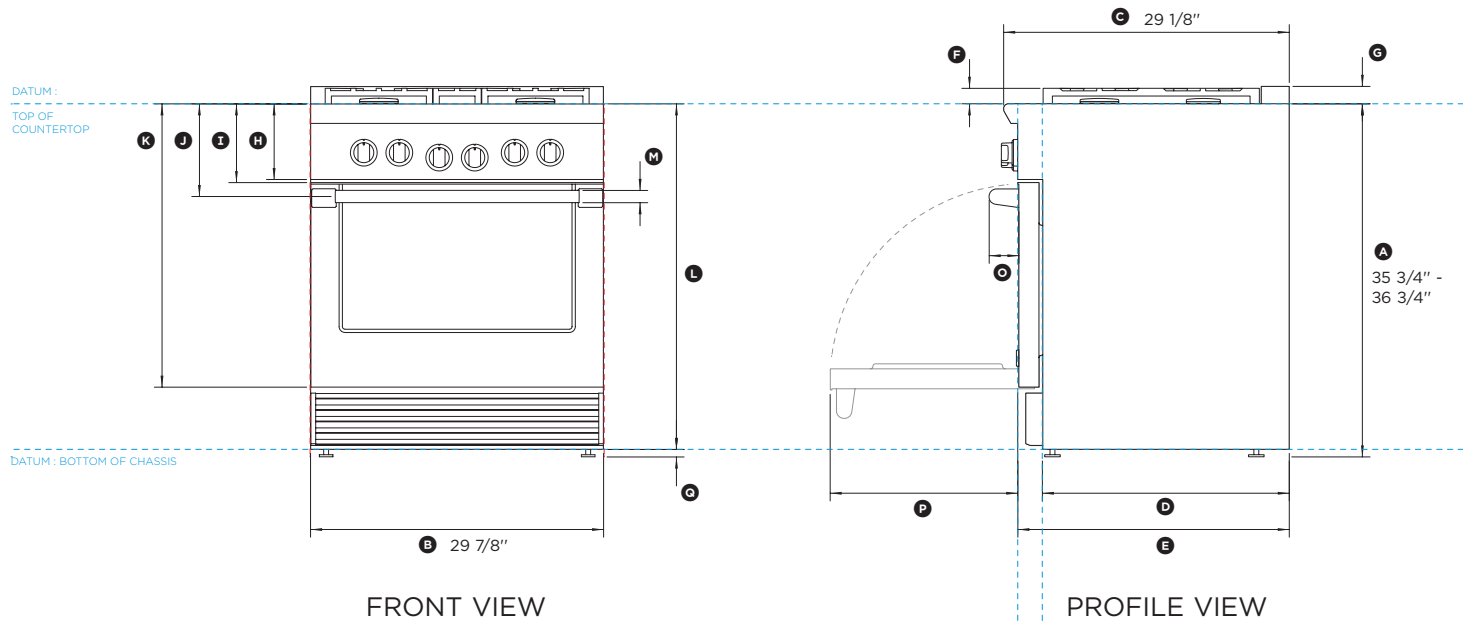
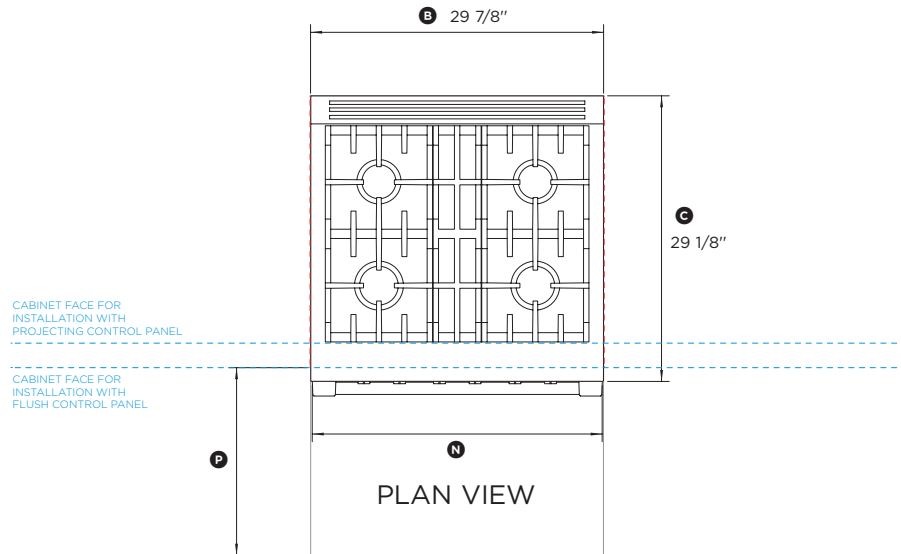
PRODUCT & CAVITY DIMENSIONS 30" Professional Range

Model no:

RGV2-304-N, RGV2-304-L

RDV2-304-N, RDV2-304-L

Supplied with Integral Flat Vent Trim



Product Dimensions	in
Ⓐ Overall height of range (from floor to cooktop, excluding grates and vent trim)	min 35 3/4" max 36 3/4"
Ⓑ Overall width of range	29 7/8"
Ⓒ Overall depth of range (excluding handle and dials)	29 1/8"
Ⓓ Depth from rear of chassis to cabinetry face - projecting	25 1/8"
Ⓔ Depth from rear of chassis to cabinetry face - flush	27 11/16"
Ⓕ Height from countertop to top of pan supports	1 9/16"
Ⓖ Height from countertop to top of vent trim	1 3/4"
Ⓗ Height from countertop to bottom of control panel	7 3/4"
Ⓘ Height from countertop to top of door	8 1/16"
Ⓚ Height from countertop to center of handle	9 7/16"
Ⓛ Height from countertop to bottom of door	28 7/8"
Ⓚ Height from countertop to bottom of chassis	35 1/4"
Ⓜ Thickness of handle (not including standoffs)	1 1/4"
Ⓝ Width of handle (including standoffs)	29 9/16"
Ⓞ Depth of handle (measured from front of door)	3 1/16"
Ⓟ Depth of open door to cabinetry face - flush	19 1/8"
Ⓠ Adjustable feet height	min 1/2" max 1 1/2"

Cavity Dimensions	in
Overall height of cavity	min 35 3/4" max 36 3/4"
Overall width of cavity	min 30"
Overall depth of cavity for projecting control panel	max 25 1/8"
Overall depth of cavity for flush control panel	max 27 11/16"

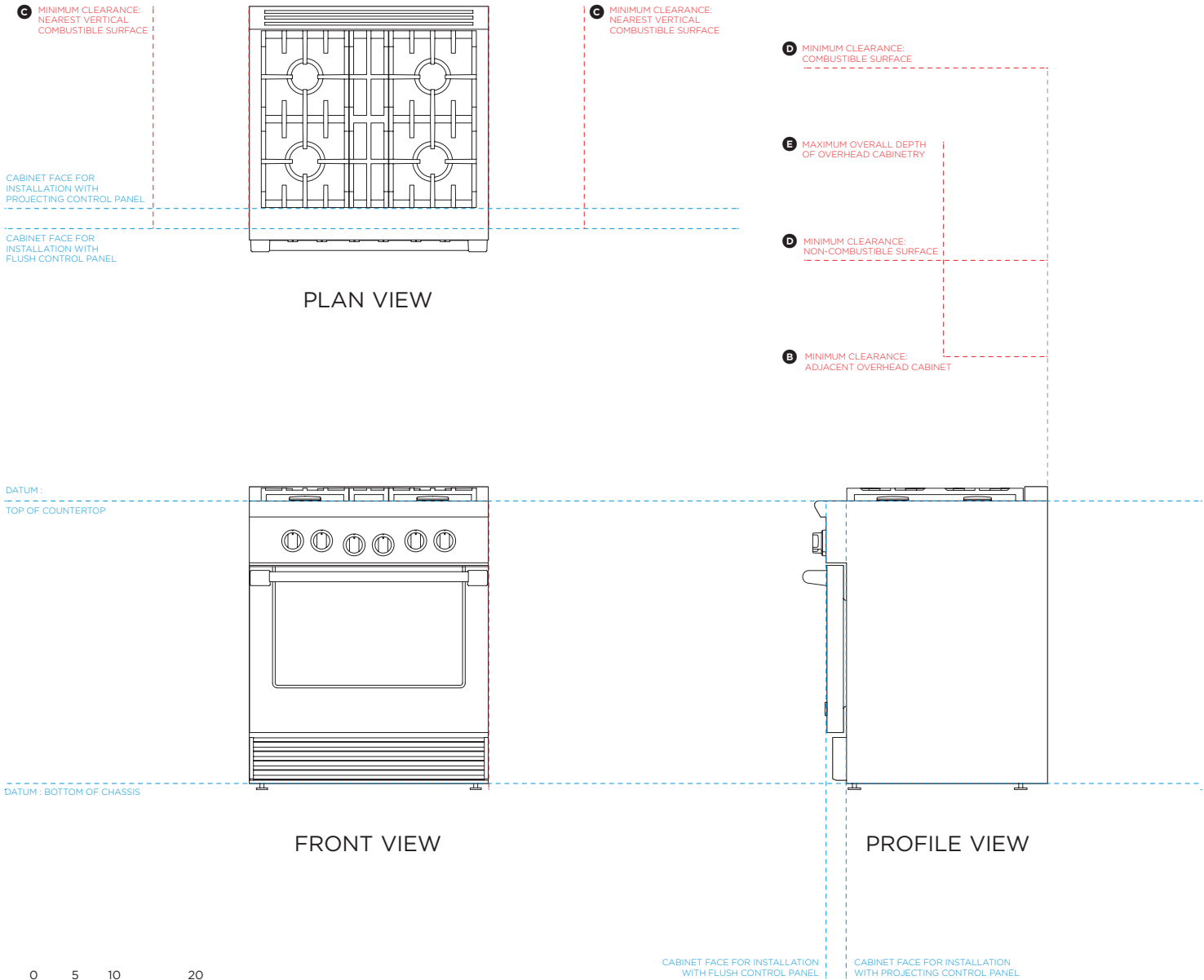
INDICATES PRODUCT DATUM -----

DATE: **24.04.2018**

IMPORTANT: Throughout this guide, dimensions may vary by ±2mm (1/16"). Read the installation guide for detailed information on installing the product. For full installation instructions and specifications visit fisherpaykel.com

FISHER & PAYKEL

CLEARANCE DIMENSIONS 30" Professional Range



Model no:
RGV2-304-N, RGV2-304-L
RDV2-304-N, RDV2-304-L
 Supplied with Integral Flat Vent Trim

Clearance Dimensions	in
Ⓐ Minimum width of ventilation hood installed above range - not shown*	30"
Ⓑ Minimum vertical distance between countertop and cabinet extending above counter	18"
Ⓒ Minimum clearance from left and right edge of range to nearest vertical combustible surface	12"
Ⓓ Minimum clearance from cooking surface to: - combustible surface centered above the cooking surface	54"
- non-combustible surface centered above the cooking surface	30"
Ⓔ Maximum overall depth of overhead cabinetry	13"

INDICATES CABINETRY CLEARANCES - - - - -
 INDICATES PRODUCT DATUM - - - - -

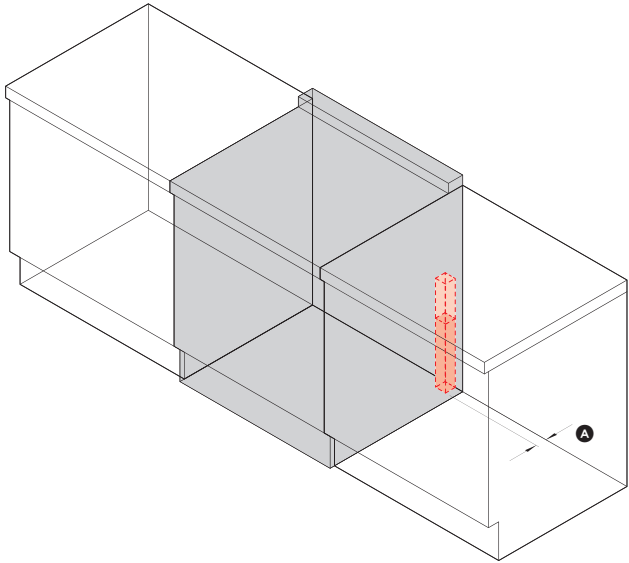
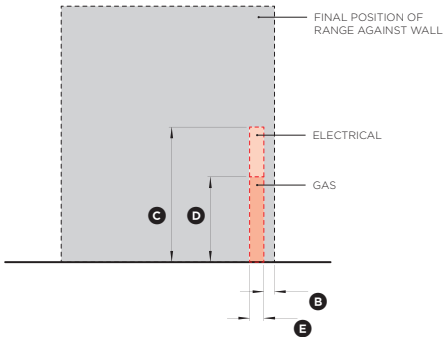
DATE: **24.04.2018**

IMPORTANT: Throughout this guide, dimensions may vary by ±2mm (1/16"). Read the installation guide for detailed information on installing the product. For full installation instructions and specifications visit fisherpaykel.com

FISHER & PAYKEL

CAVITY PREPARATION 30" Professional Range

RGV models



Model no:

RGV2-304-N, RGV2-304-L

RDV2-304-N, RDV2-304-L

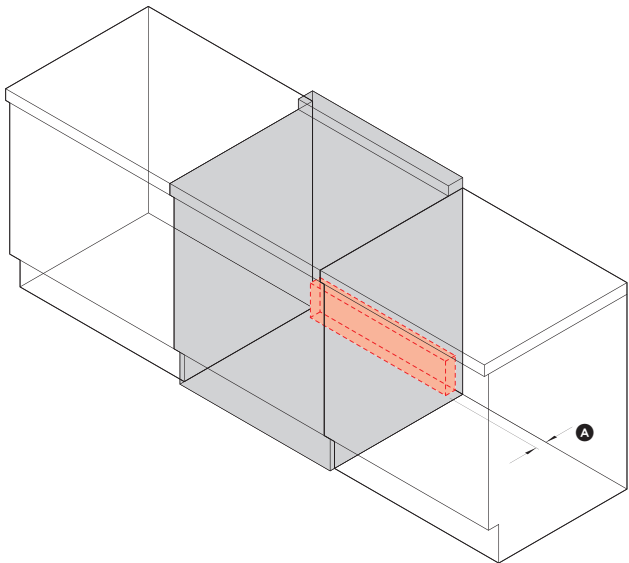
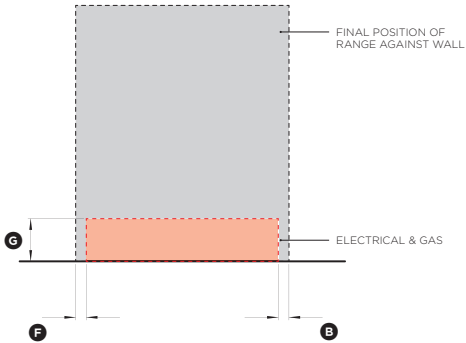
Location of Electrical and Gas Supply	in
Ⓐ Depth of supply area (ie maximum protrusion of gas connection from wall)	2"
Ⓑ Distance from right hand edge of range to supply area	1 1/2"
Ⓒ (RGV) Height of electrical supply area (from floor)	19"
Ⓓ (RGV) Height of gas supply area (from floor)	12"
Ⓔ (RGV) Width of supply area	2"
Ⓕ (RDV) Distance from left hand edge of range to supply area	1 1/2"
Ⓖ (RDV) Height of electrical and gas supply area (from floor)	6"

Specifications	
Electrical	RGV Models
Supply	120 VAC, 60Hz
Max. Current Draw	8 amp
Service	15 amp circuit
Electrical	RDV Models
Supply	120/240 VAC, 60Hz
Max. Current Draw	21 amp
Service	30 amp circuit

Gas - Natural	
Connection	1/2" NPT Minimum 5/8" dia. flex line
Supply Pressure	Supply Pressure: 6" to 9" W.C.
Gas - LP	
Connection	1/2" NPT Minimum 5/8" dia. flex line
Supply Pressure*	11" to 14" W.C.

A regulator is required at the LP source to provide a maximum pressure of 14" W.C. to the range regulator

RDV models



0 5 10 20
inches

DATE: 24.04.2018

IMPORTANT: Throughout this guide, dimensions may vary by ±2mm (1/16"). Read the installation guide for detailed information on installing the product. For full installation instructions and specifications visit fisherpaykel.com

FISHER & PAYKEL

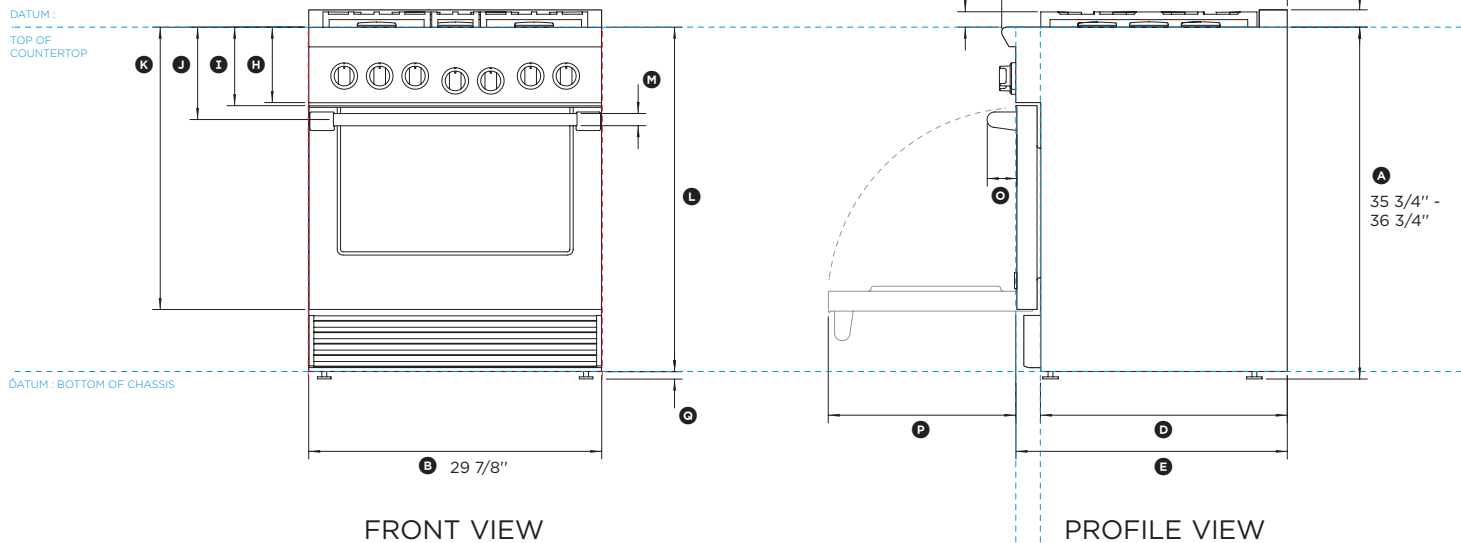
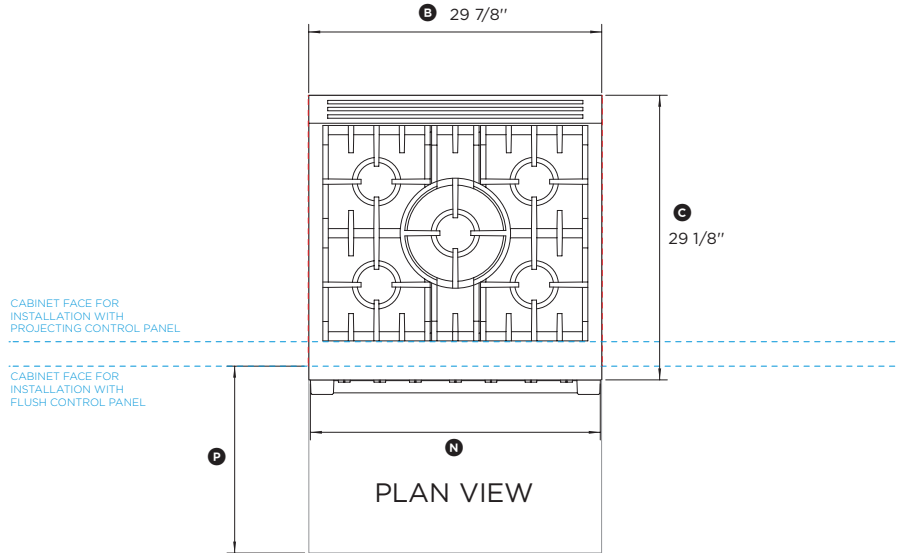
PRODUCT & CAVITY DIMENSIONS 30" Professional Range

Model no:

RGV2-305-N, RGV2-305-L

RDV2-305-N, RDV2-305-L

Supplied with Integral Flat Vent Trim



Product Dimensions	in
Ⓐ Overall height of range (from floor to cooktop, excluding grates and vent trim)	min 35 3/4" max 36 3/4"
Ⓑ Overall width of range	29 7/8"
Ⓒ Overall depth of range (excluding handle and dials)	29 1/8"
Ⓓ Depth from rear of chassis to cabinetry face - projecting	25 1/8"
Ⓔ Depth from rear of chassis to cabinetry face - flush	27 11/16"
Ⓕ Height from countertop to top of pan supports	1 9/16"
Ⓖ Height from countertop to top of vent trim	1 3/4"
Ⓗ Height from countertop to bottom of control panel	7 3/4"
Ⓙ Height from countertop to top of door	8 1/16"
Ⓚ Height from countertop to center of handle	9 7/16"
Ⓛ Height from countertop to bottom of door	28 7/8"
Ⓚ Height from countertop to bottom of chassis	35 1/4"
Ⓜ Thickness of handle (not including standoffs)	1 1/4"
Ⓝ Width of handle (including standoffs)	29 9/16"
Ⓞ Depth of handle (measured from front of door)	3 1/16"
Ⓟ Depth of open door to cabinetry face - flush	19 1/8"
Ⓠ Adjustable feet height	min 1/2" max 1 1/2"

Cavity Dimensions	in
Overall height of cavity	min 35 3/4" max 36 3/4"
Overall width of cavity	min 30"
Overall depth of cavity for projecting control panel	max 25 1/8"
Overall depth of cavity for flush control panel	max 27 11/16"

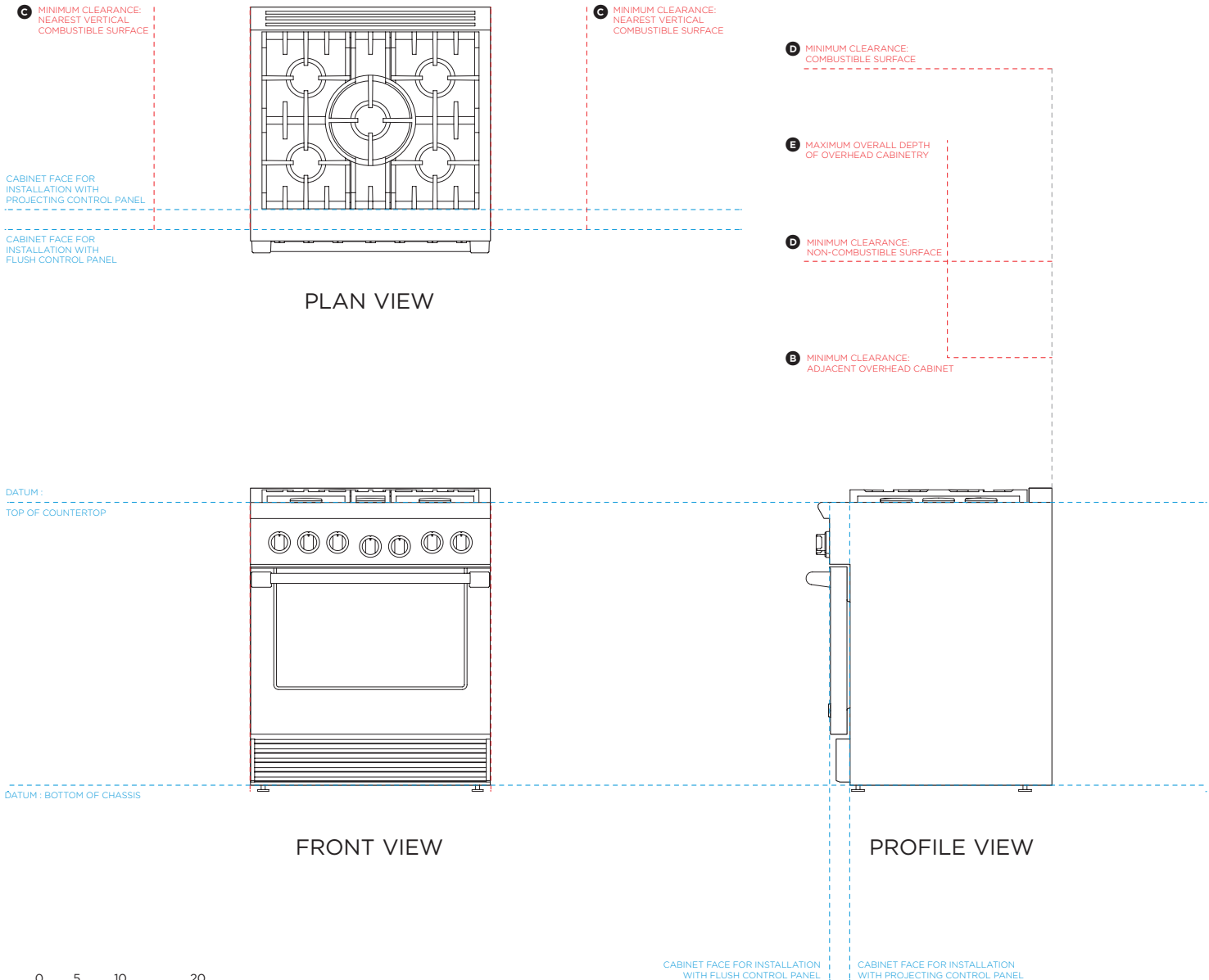
INDICATES PRODUCT DATUM -----

DATE: 24.04.2018

IMPORTANT: Throughout this guide, dimensions may vary by ±2mm (1/16"). Read the installation guide for detailed information on installing the product. For full installation instructions and specifications visit fisherpaykel.com

FISHER & PAYKEL

CLEARANCE DIMENSIONS 30" Professional Range



Model no:
RGV2-305-N, RGV2-305-L
RDV2-305-N, RDV2-305-L
 Supplied with Integral Flat Vent Trim

Clearance Dimensions	in
Ⓐ Minimum width of ventilation hood installed above range - not shown*	30"
Ⓞ Minimum vertical distance between countertop and cabinet extending above counter	18"
Ⓒ Minimum clearance from left and right edge of range to nearest vertical combustible surface	12"
Ⓓ Minimum clearance from cooking surface to: - combustible surface centered above the cooking surface - non-combustible surface centered above the cooking surface	54" 30"
Ⓔ Maximum overall depth of overhead cabinetry	13"

INDICATES CABINETRY CLEARANCES - - - - -

INDICATES PRODUCT DATUM - - - - -

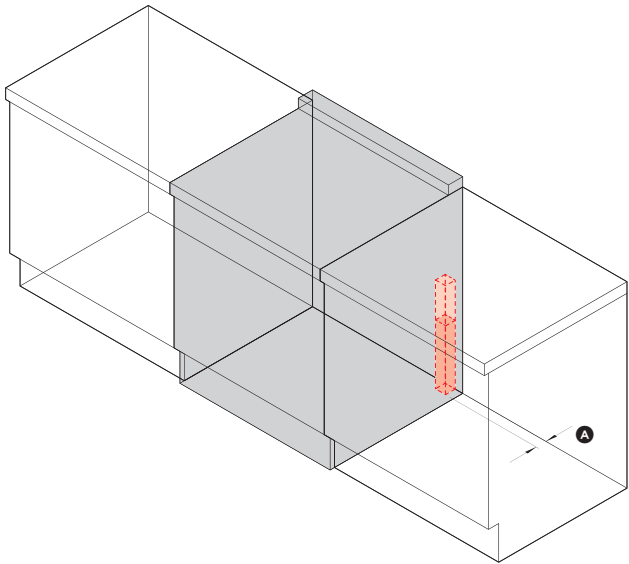
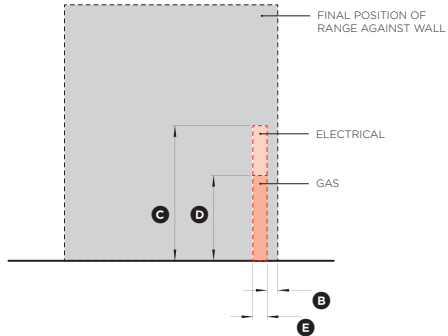
DATE: **24.04.2018**

IMPORTANT: Throughout this guide, dimensions may vary by ±2mm (1/16"). Read the installation guide for detailed information on installing the product. For full installation instructions and specifications visit fisherpaykel.com

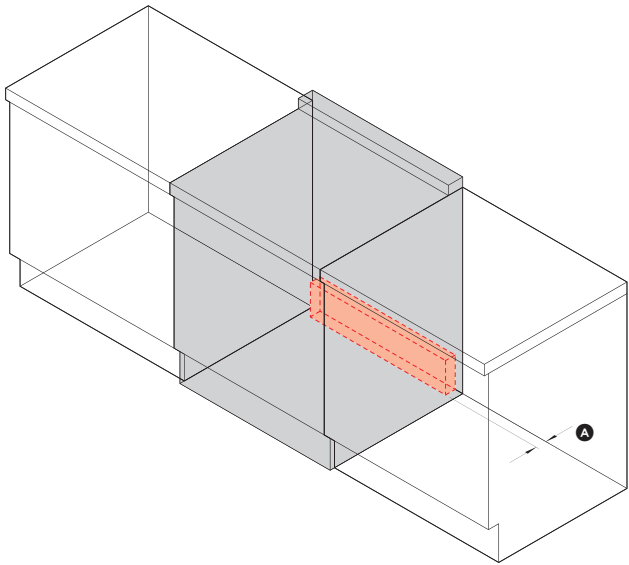
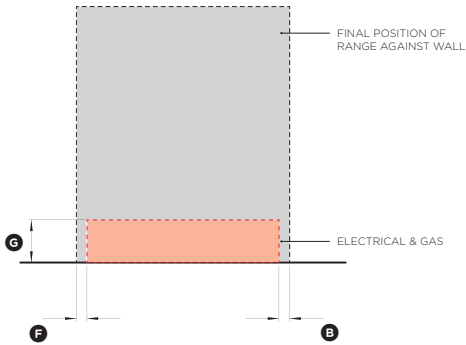
FISHER & PAYKEL

CAVITY PREPARATION 30" Professional Range

RGV models



RDV models



Model no:
RGV2-305-N, RGV2-305-L
RDV2-305-N, RDV2-305-L

Location of Electrical and Gas Supply	in
Ⓐ Depth of supply area (ie maximum protrusion of gas connection from wall)	2"
Ⓑ Distance from right hand edge of range to supply area	1 1/2"
Ⓒ (RGV) Height of electrical supply area (from floor)	19"
Ⓓ (RGV) Height of gas supply area (from floor)	12"
Ⓔ (RGV) Width of supply area	2"
Ⓕ (RDV) Distance from left hand edge of range to supply area	1 1/2"
Ⓖ (RDV) Height of electrical and gas supply area (from floor)	6"

Specifications	
Electrical	RGV Models
Supply	120 VAC, 60Hz
Max. Current Draw	8 amp
Service	15 amp circuit
Electrical	RDV Models
Supply	120/240 VAC, 60Hz
Max. Current Draw	18 amp
Service	30 amp circuit

Gas - Natural	
Connection	1/2" NPT Minimum 5/8" dia. flex line
Supply Pressure	Supply Pressure: 6" to 9" W.C.
Gas - LP	
Connection	1/2" NPT Minimum 5/8" dia. flex line
Supply Pressure*	11" to 14" W.C.

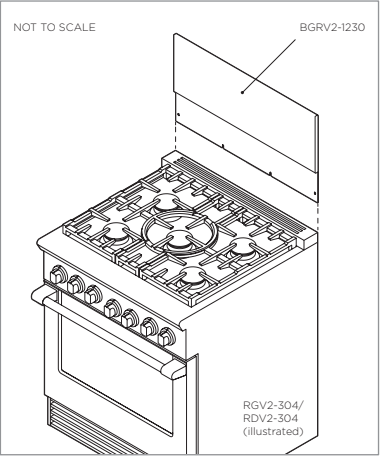
A regulator is required at the LP source to provide a maximum pressure of 14" W.C. to the range regulator

DATE: 24.04.2018

IMPORTANT: Throughout this guide, dimensions may vary by ±2mm (1/16"). Read the installation guide for detailed information on installing the product. For full installation instructions and specifications visit fisherpaykel.com

FISHER & PAYKEL

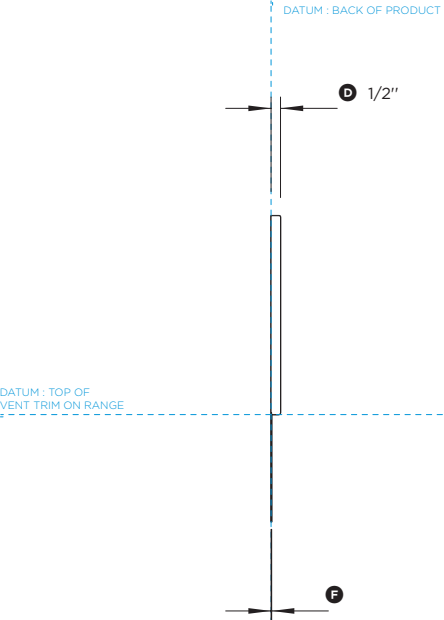
PRODUCT DIMENSIONS 30" Professional Range Backguard



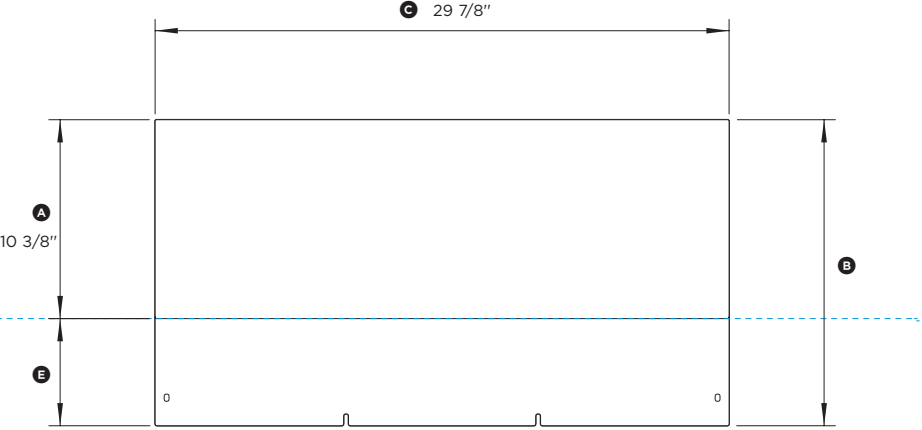
PLAN VIEW

Model no:
BGRV2-1230

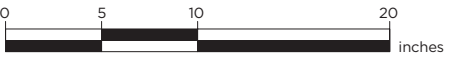
Product Dimensions	in
Ⓐ Height of backguard above vent trim on range	10 3/8"
Ⓑ Overall height of backguard	15 15/16"
Ⓒ Overall width of backguard	29 7/8"
Ⓓ Overall depth of backguard	1/2"
Ⓔ Height of backguard below vent trim on range	5 9/16"
Ⓕ Depth of backguard below vent trim on range	1/16"



PROFILE VIEW



FRONT VIEW



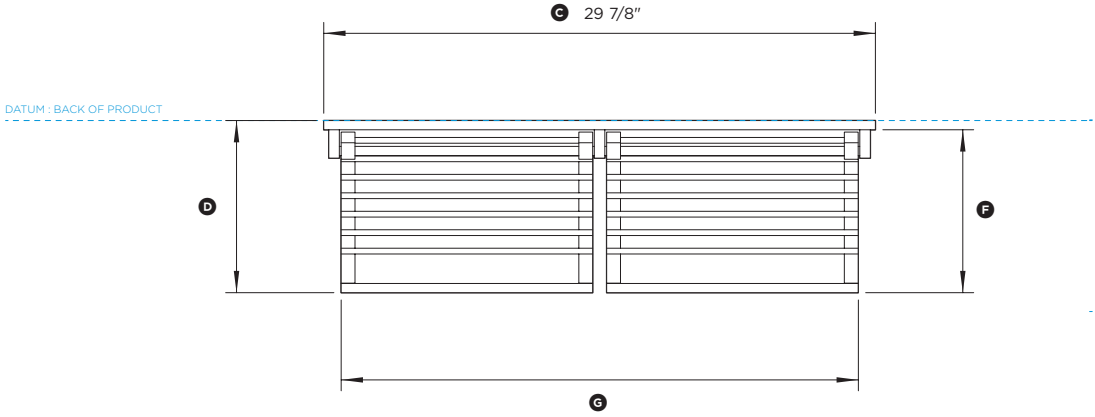
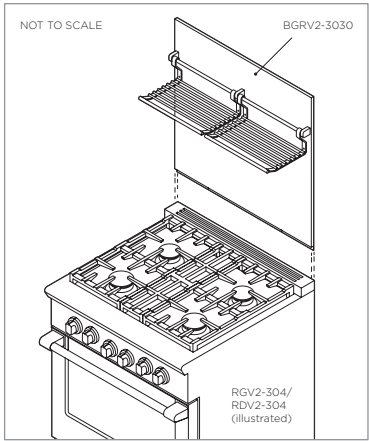
INDICATES PRODUCT DATUM -----

DATE: **24.04.2018**

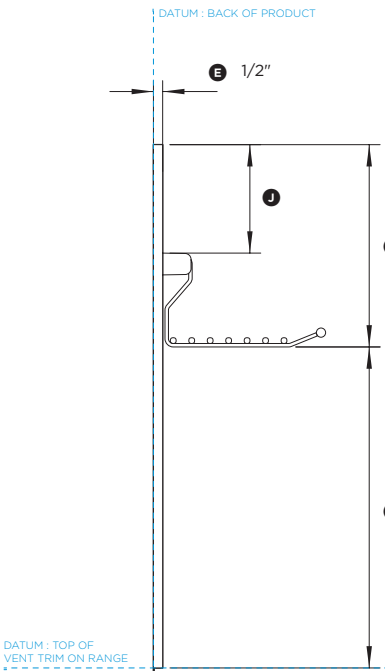
IMPORTANT: Throughout this guide, dimensions may vary by ±2mm (1/16"). Read the installation guide for detailed information on installing the product. For full installation instructions and specifications visit fisherpaykel.com

FISHER & PAYKEL

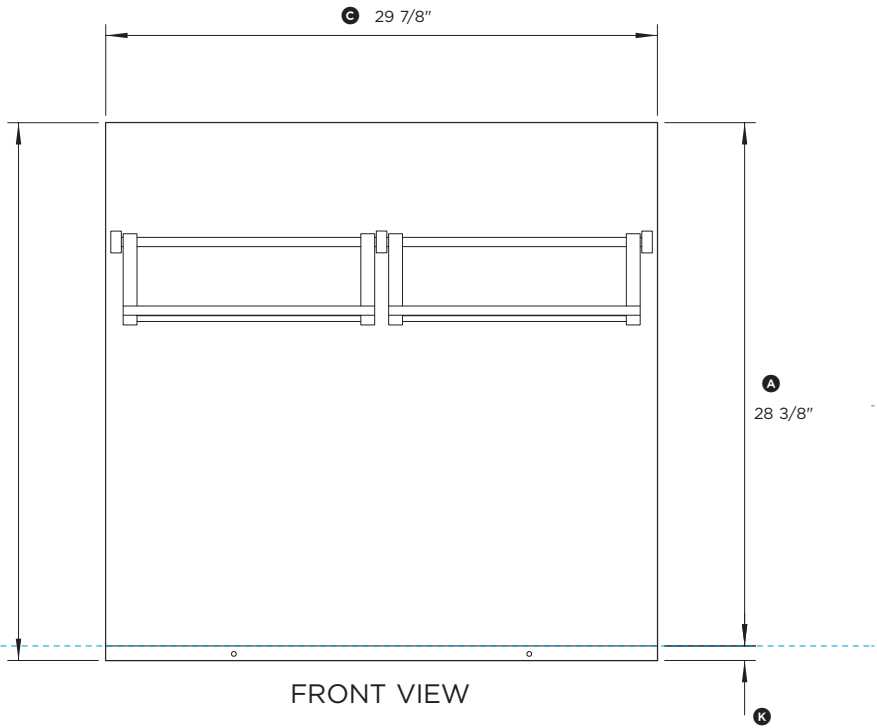
PRODUCT DIMENSIONS 30" Professional Range Backguard



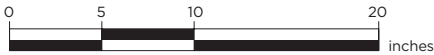
PLAN VIEW



PROFILE VIEW



FRONT VIEW



Model no:
BGRV2-3030

Product Dimensions	in
Ⓐ Height of backguard above vent trim on range	28 3/8"
Ⓑ Overall height of backguard	29 1/8"
Ⓒ Overall width of backguard	29 7/8"
Ⓓ Overall depth of backguard and racks	9 5/16"
Ⓔ Depth of backguard	1/2"
Ⓕ Depth of racks	8 13/16"
Ⓖ Width of racks	28"
Ⓗ Distance from top of backguard to bottom of racks	10 15/16"
Ⓘ Distance from bottom of backguard to bottom of racks	17 3/8"
Ⓚ Distance from top of backguard to top of brackets	5 7/8"
Ⓛ Height of backguard below vent trim on range	13/16"
Ⓜ Depth of backguard below vent trim on range	1/16"

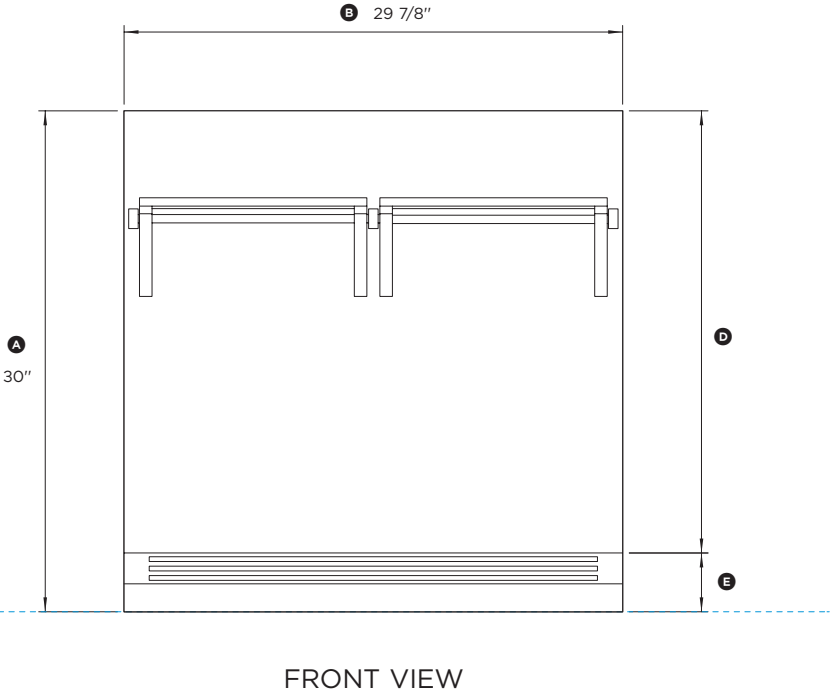
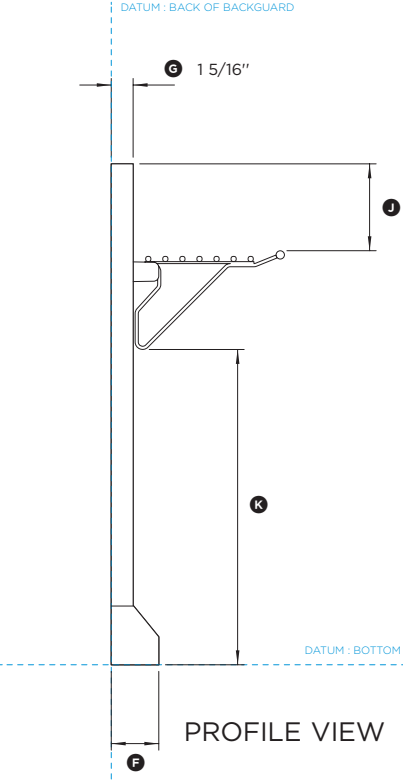
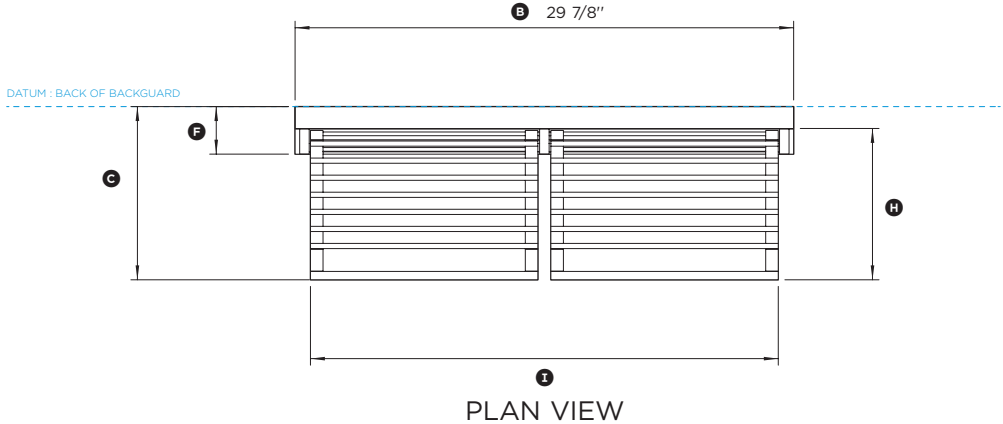
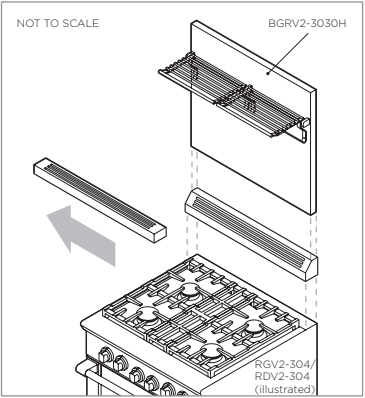
INDICATES PRODUCT DATUM

DATE: 24.04.2018

IMPORTANT: Throughout this guide, dimensions may vary by ±2mm (1/16"). Read the installation guide for detailed information on installing the product. For full installation instructions and specifications visit fisherpaykel.com

FISHER & PAYKEL

PRODUCT DIMENSIONS 30" Professional Range Backguard with Angled Vent Trim



Model no:
BGRV2-3030H

Product Dimensions	in
Ⓐ Overall height of backguard with angled vent trim	30"
Ⓑ Overall width of backguard	29 7/8"
Ⓒ Overall depth of backguard and racks	10 3/8"
Ⓓ Height of backguard	26 1/2"
Ⓔ Height of angled vent trim	3 1/2"
Ⓕ Depth of angled vent trim	2 7/8"
Ⓖ Depth of backguard	1 5/16"
Ⓜ Depth of racks	9 1/16"
Ⓝ Width of racks	28"
Ⓞ Distance from top of backguard to top of racks	5 3/8"
Ⓟ Distance from bottom of angled vent trim to bottom of racks	18 7/8"

Note: Angled vent trim supplied with BGRV2-3030H.
Remove flat vent trim and replace with angled vent trim.

INDICATES PRODUCT DATUM -----

DATE: 24.04.2018

IMPORTANT: Throughout this guide, dimensions may vary by ±2mm (1/16").
Read the installation guide for detailed information on installing the product.
For full installation instructions and specifications visit fisherpaykel.com

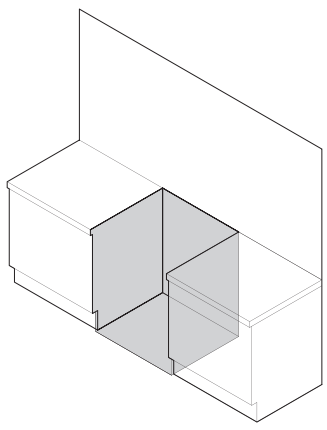
METRIC

FISHER & PAYKEL

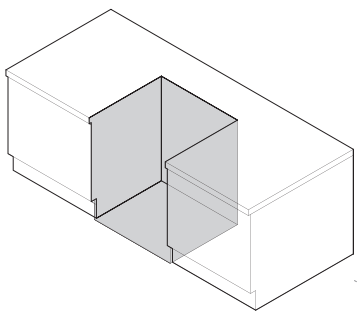
KEY DESIGN DECISIONS 30" Professional Range

1

INSTALL TYPE



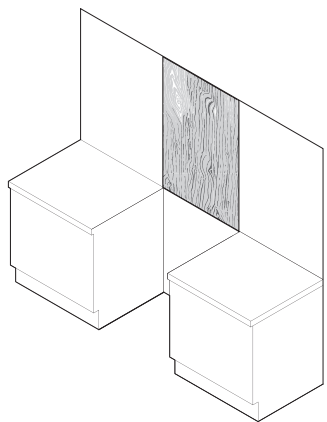
WALL



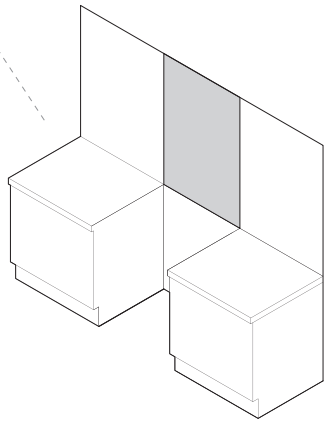
ISLAND

2

REAR SURFACE



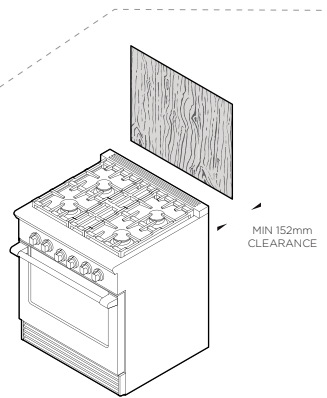
COMBUSTIBLE



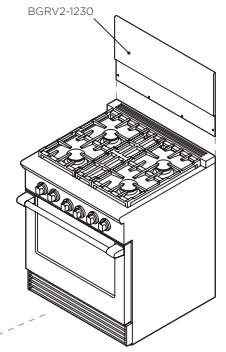
NON COMBUSTIBLE

3

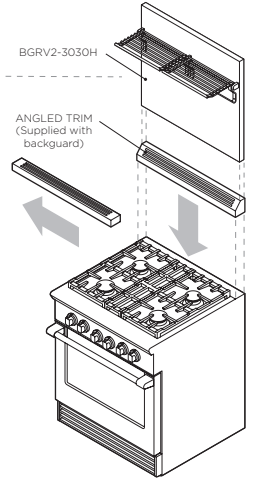
BACKGUARD OPTIONS



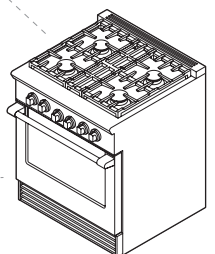
NO BACKGUARD



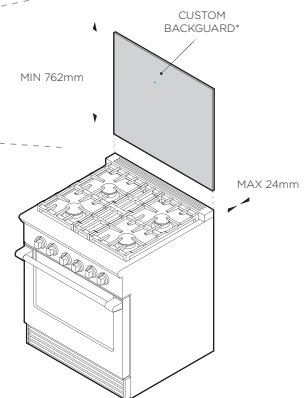
LOW THIN BACKGUARD



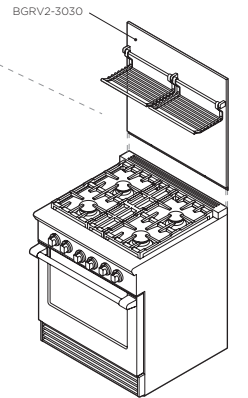
HIGH THICK BACKGUARD WITH ANGLED TRIM



NO BACKGUARD



CUSTOM FABRICATED* BACKGUARD
*Fabricated from non combustible materials only.



HIGH THIN BACKGUARD

Model no:
**RGV2-304, RDV2-304,
RGV2-305, RDV2-305**

DATE: 24.04.2018

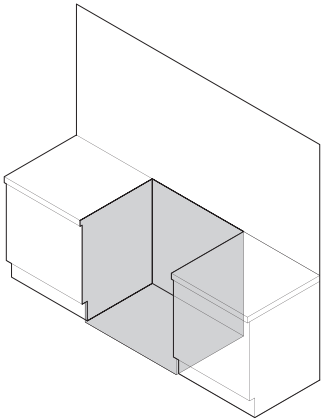
IMPORTANT: Throughout this guide, dimensions may vary by ±2mm (1/16"). Read the installation guide for detailed information on installing the product. For full installation instructions and specifications visit fisherpaykel.com

FISHER & PAYKEL

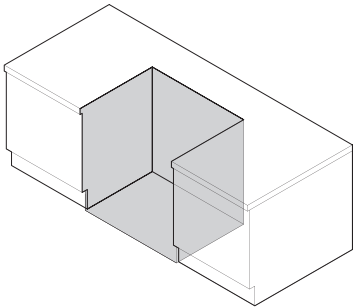
VENTILATION REQUIREMENTS 30" Professional Range

1

INSTALL TYPE



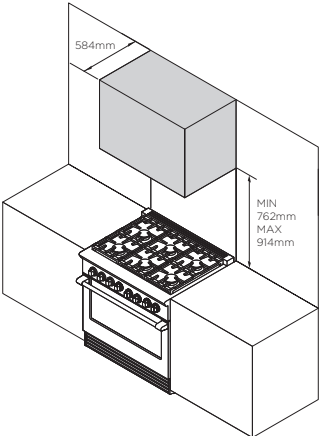
WALL



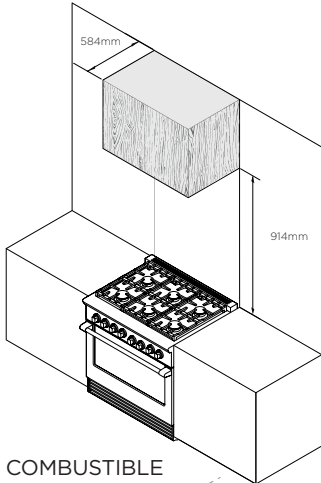
ISLAND

2

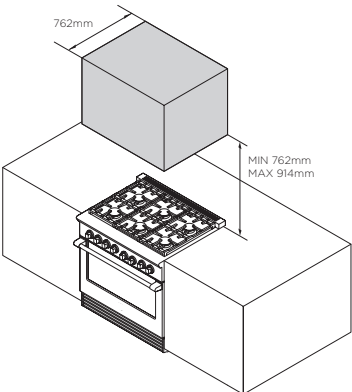
HOOD SURROUND MATERIAL



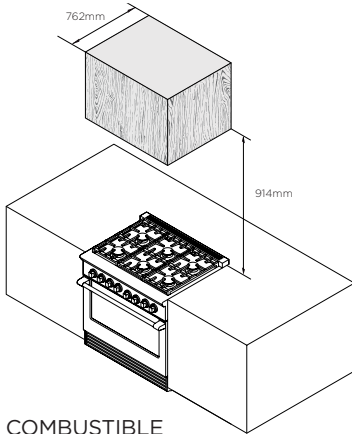
NON COMBUSTIBLE



COMBUSTIBLE



NON COMBUSTIBLE



COMBUSTIBLE

Model no:

**RGV2-304, RDV2-304,
RGV2-305, RDV2-305**

(Note: RGV2-366 illustrated but all dimensions apply to the above models)

Specifications

Ventilation Unit

Wall Installation	
Hood	584mm Deep x Unit Width
Blower	600 CFM

Ventilation Unit

Island Installation	
Hood	762mm Deep x Unit Width
Blower	600 CFM

Note: A suitable hood must be installed above the range. The above indicates the minimum blower capacity recommended for hood ventilation.

DATE: 24.04.2018

IMPORTANT: Throughout this guide, dimensions may vary by ±2mm (1/16"). Read the installation guide for detailed information on installing the product. For full installation instructions and specifications visit fisherpaykel.com

FISHER & PAYKEL

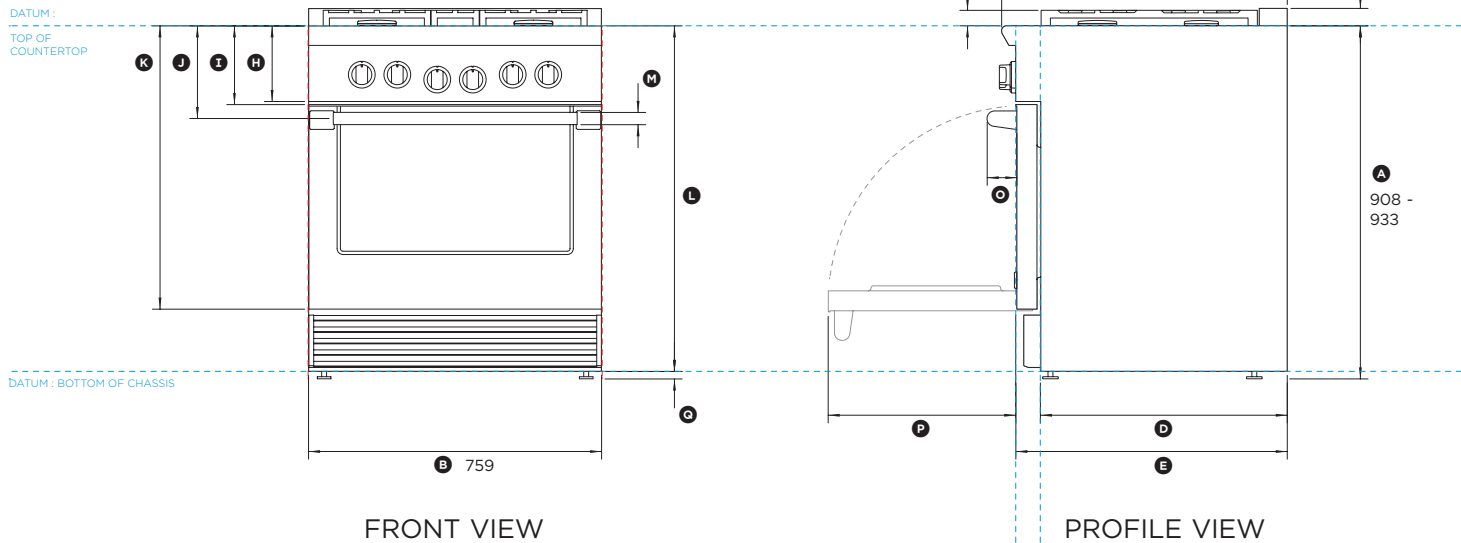
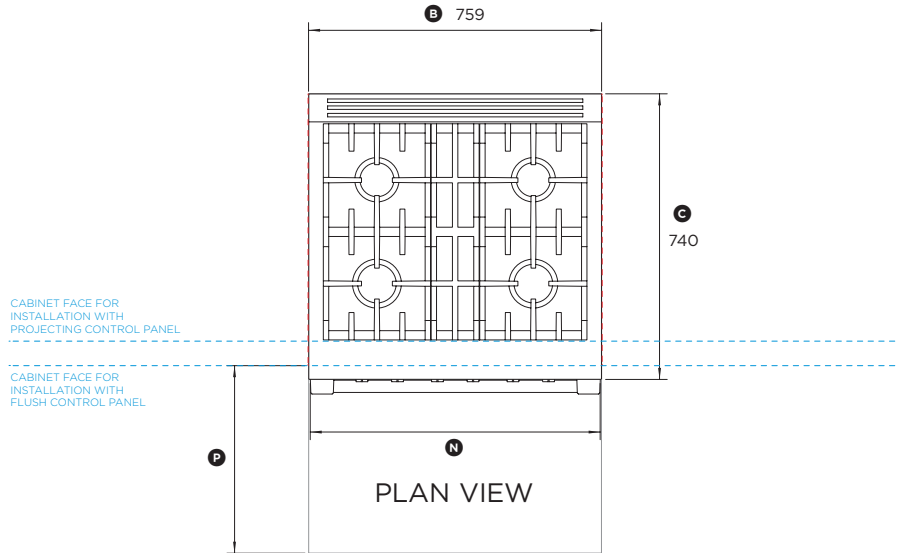
PRODUCT & CAVITY DIMENSIONS 30" Professional Range

Model no:

RGV2-304-N, RGV2-304-L

RDV2-304-N, RDV2-304-L

Supplied with Integral Flat Vent Trim



Product Dimensions	mm
Ⓐ Overall height of range (from floor to cooktop, excluding grates and vent trim)	min 908 max 933
Ⓑ Overall width of range	759
Ⓒ Overall depth of range (excluding handle and dials)	740
Ⓓ Depth from rear of chassis to cabinetry face - projecting	638
Ⓔ Depth from rear of chassis to cabinetry face - flush	703
Ⓕ Height from countertop to top of pan supports	40
Ⓖ Height from countertop to top of vent trim	45
Ⓗ Height from countertop to bottom of control panel	196
Ⓘ Height from countertop to top of door	204
Ⓚ Height from countertop to centre of handle	240
Ⓛ Height from countertop to bottom of door	734
Ⓜ Height from countertop to bottom of chassis	895
Ⓝ Thickness of handle (not including standoffs)	32
Ⓞ Width of handle (including standoffs)	751
Ⓟ Depth of handle (measured from front of door)	77
Ⓠ Depth of open door to cabinetry face - flush	486
Ⓡ Adjustable feet height	min 13 max 38

Cavity Dimensions	mm
Overall height of cavity	min 908 max 933
Overall width of cavity	min 762
Overall depth of cavity for projecting control panel	max 638
Overall depth of cavity for flush control panel	max 703

INDICATES PRODUCT DATUM -----

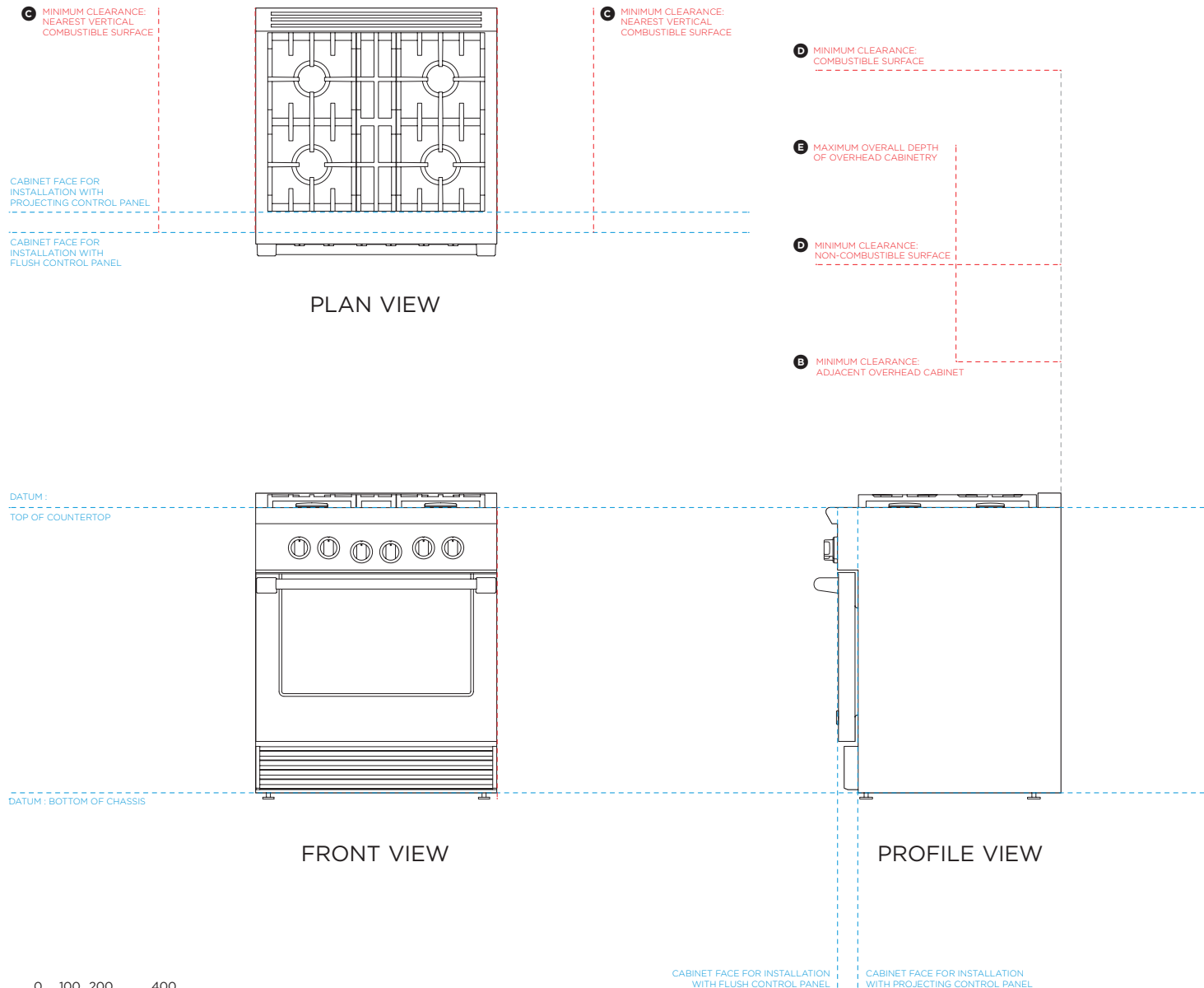
DATE: **24.04.2018**

IMPORTANT: Throughout this guide, dimensions may vary by $\pm 2\text{mm}$ (1/16"). Read the installation guide for detailed information on installing the product. For full installation instructions and specifications visit fisherpaykel.com



FISHER & PAYKEL

CLEARANCE DIMENSIONS 30" Professional Range



Model no:

RGV2-304-N, RGV2-304-L

RDV2-304-N, RDV2-304-L

Supplied with Integral Flat Vent Trim

Clearance Dimensions	mm
Ⓐ Minimum width of ventilation hood installed above range - not shown*	762
Ⓑ Minimum vertical distance between countertop and cabinet extending above counter	457
Ⓒ Minimum clearance from left and right edge of range to nearest vertical combustible surface	305
Ⓓ Minimum clearance from cooking surface to: - combustible surface centred above the cooking surface - non-combustible surface centred above the cooking surface	1372 762
Ⓔ Maximum overall depth of overhead cabinetry	330

INDICATES CABINETRY CLEARANCES - - - - -
INDICATES PRODUCT DATUM - - - - -

DATE: **24.04.2018**

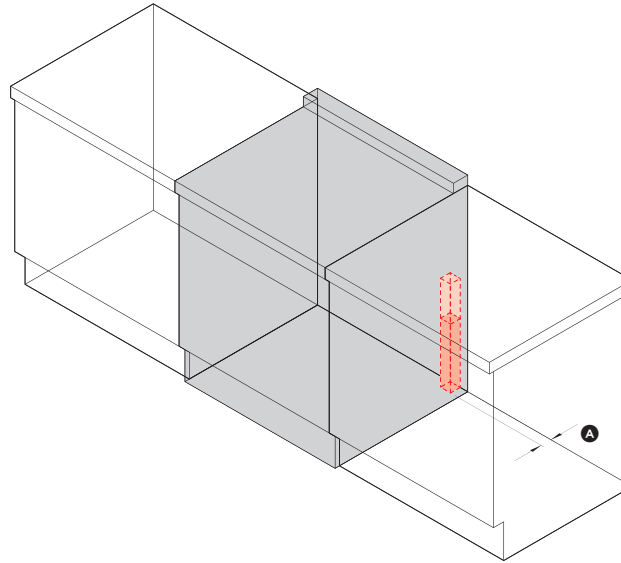
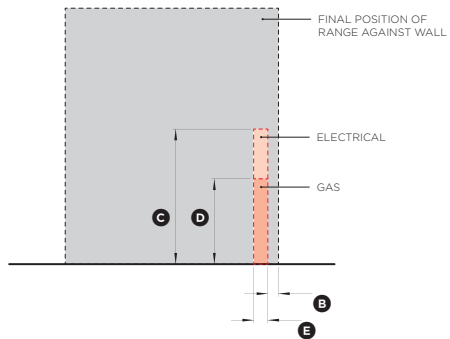
IMPORTANT: Throughout this guide, dimensions may vary by $\pm 2\text{mm}$ (1/16"). Read the installation guide for detailed information on installing the product. For full installation instructions and specifications visit fisherpaykel.com

0 100 200 400
millimetres

FISHER & PAYKEL

CAVITY PREPARATION 30" Professional Range

RGV models



Model no:

RGV2-304-N, RGV2-304-L

RDV2-304-N, RDV2-304-L

Location of Electrical and Gas Supply	mm
Ⓐ Depth of supply area (ie maximum protrusion of gas connection from wall)	51
Ⓑ Distance from right hand edge of range to supply area	38
Ⓒ (RGV) Height of electrical supply area (from floor)	483
Ⓓ (RGV) Height of gas supply area (from floor)	305
Ⓔ (RGV) Width of supply area	51
Ⓕ (RDV) Distance from left hand edge of range to supply area	38
Ⓖ (RDV) Height of electrical and gas supply area (from floor)	152

Specifications

Electrical	RGV Models
Supply	120 VAC, 60Hz
Max. Current Draw	8 amp
Service	15 amp circuit
Electrical	RDV Models
Supply	120/240 VAC, 60Hz
Max. Current Draw	21 amp
Service	30 amp circuit

Gas - Natural

Connection	1/2" NPT Minimum 5/8" dia. flex line
Supply Pressure	Supply Pressure: 6" to 9" W.C.

Gas - LP

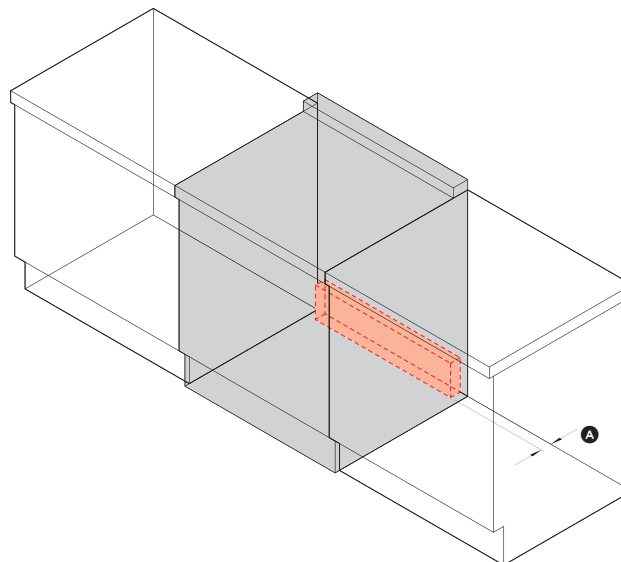
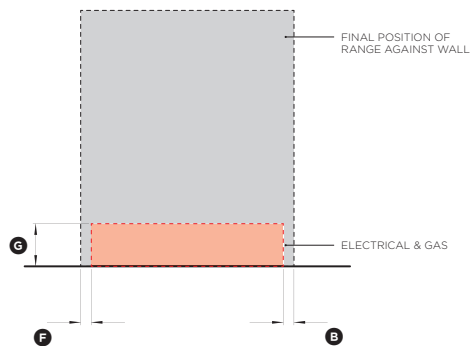
Connection	1/2" NPT Minimum 5/8" dia. flex line
Supply Pressure*	11" to 14" W.C.

A regulator is required at the LP source to provide a maximum pressure of 14" W.C. to the range regulator

DATE: **24.04.2018**

IMPORTANT: Throughout this guide, dimensions may vary by ±2mm (1/16"). Read the installation guide for detailed information on installing the product. For full installation instructions and specifications visit fisherpaykel.com

RDV models



0 100 200 400
millimetres

FISHER & PAYKEL

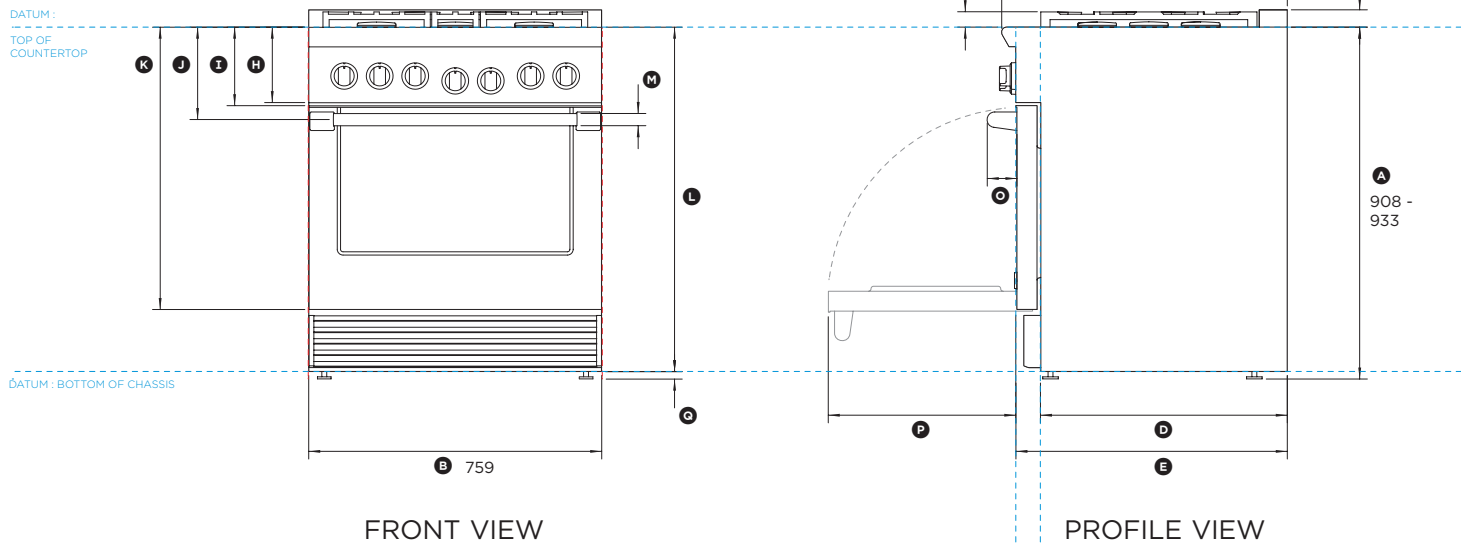
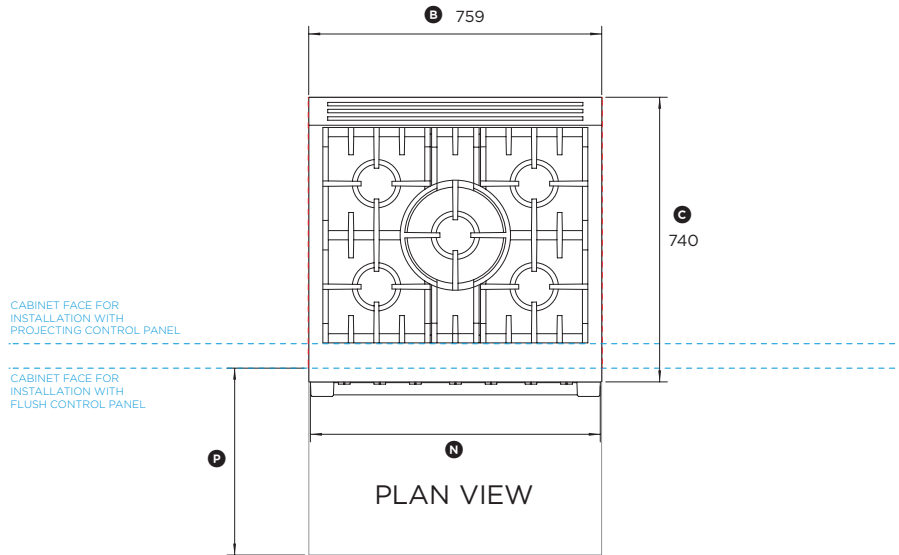
PRODUCT & CAVITY DIMENSIONS 30" Professional Range

Model no:

RGV2-305-N, RGV2-305-L

RDV2-305-N, RDV2-305-L

Supplied with Integral Flat Vent Trim



Product Dimensions	mm
Ⓐ Overall height of range (from floor to cooktop, excluding grates and vent trim)	min 908 max 933
Ⓑ Overall width of range	759
Ⓒ Overall depth of range (excluding handle and dials)	740
Ⓓ Depth from rear of chassis to cabinetry face - projecting	638
Ⓔ Depth from rear of chassis to cabinetry face - flush	703
Ⓣ Height from countertop to top of pan supports	40
Ⓤ Height from countertop to top of vent trim	45
Ⓟ Height from countertop to bottom of control panel	196
Ⓠ Height from countertop to top of door	204
Ⓡ Height from countertop to centre of handle	240
Ⓢ Height from countertop to bottom of door	734
Ⓣ Height from countertop to bottom of chassis	895
Ⓤ Thickness of handle (not including standoffs)	32
Ⓟ Width of handle (including standoffs)	751
Ⓠ Depth of handle (measured from front of door)	77
Ⓡ Depth of open door to cabinetry face - flush	486
Ⓢ Adjustable feet height	min 13 max 38

Cavity Dimensions	mm
Overall height of cavity	min 908 max 933
Overall width of cavity	min 762
Overall depth of cavity for projecting control panel	max 638
Overall depth of cavity for flush control panel	max 703

INDICATES PRODUCT DATUM -----

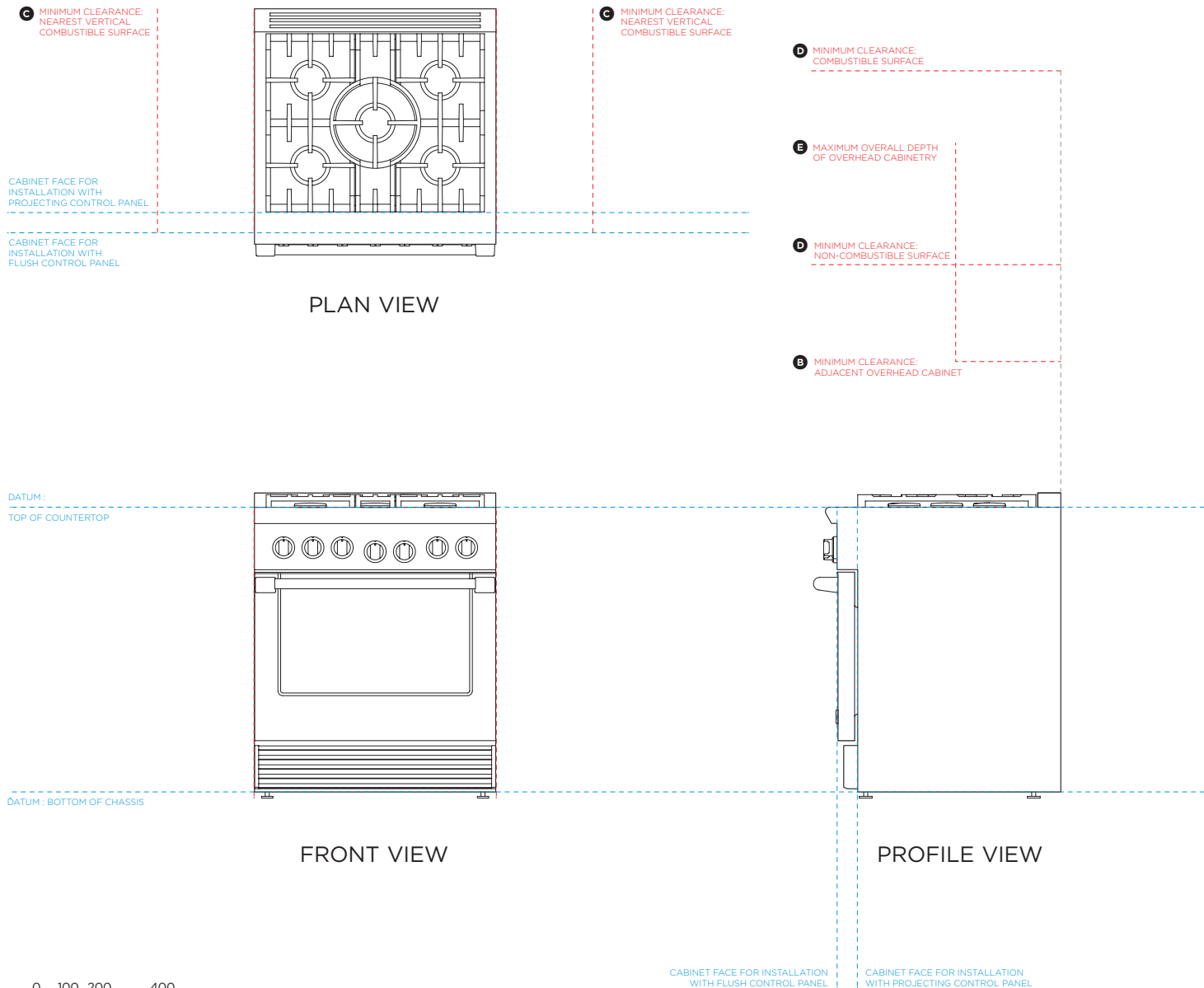
DATE: **24.04.2018**

IMPORTANT: Throughout this guide, dimensions may vary by $\pm 2\text{mm}$ (1/16"). Read the installation guide for detailed information on installing the product. For full installation instructions and specifications visit fisherpaykel.com



FISHER & PAYKEL

CLEARANCE DIMENSIONS 30" Professional Range



Model no:

RGV2-305-N, RGV2-305-L

RDV2-305-N, RDV2-305-L

Supplied with Integral Flat Vent Trim

Clearance Dimensions	mm
Ⓐ Minimum width of ventilation hood installed above range - not shown*	762
Ⓑ Minimum vertical distance between countertop and cabinet extending above counter	457
Ⓒ Minimum clearance from left and right edge of range to nearest vertical combustible surface	305
Ⓓ Minimum clearance from cooking surface to: - combustible surface centred above the cooking surface - non-combustible surface centred above the cooking surface	1372 762
Ⓔ Maximum overall depth of overhead cabinetry	330

INDICATES CABINETRY CLEARANCES - - - - -

INDICATES PRODUCT DATUM - - - - -

DATE: **24.04.2018**

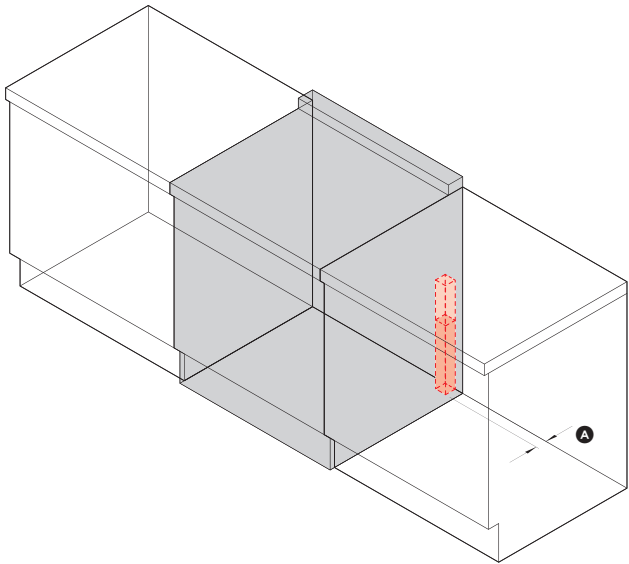
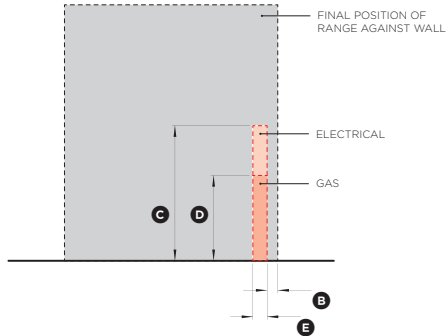
IMPORTANT: Throughout this guide, dimensions may vary by $\pm 2\text{mm}$ (1/16"). Read the installation guide for detailed information on installing the product. For full installation instructions and specifications visit fisherpaykel.com

0 100 200 400 millimetres

FISHER & PAYKEL

CAVITY PREPARATION 30" Professional Range

RGV models



Model no:
RGV2-305-N, RGV2-305-L
RDV2-305-N, RDV2-305-L

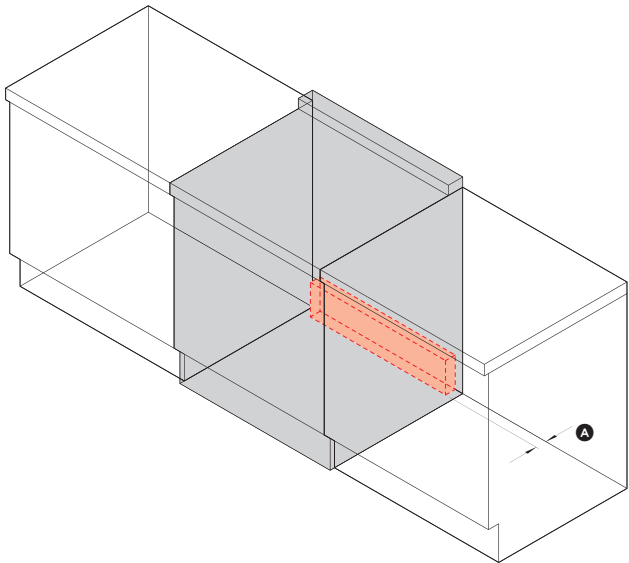
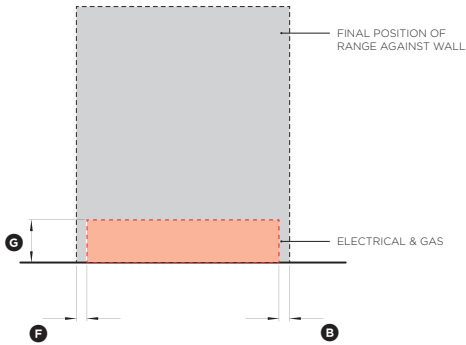
Location of Electrical and Gas Supply	mm
Ⓐ Depth of supply area (ie maximum protrusion of gas connection from wall)	51
Ⓑ Distance from right hand edge of range to supply area	38
Ⓒ (RGV) Height of electrical supply area (from floor)	483
Ⓓ (RGV) Height of gas supply area (from floor)	305
Ⓔ (RGV) Width of supply area	51
Ⓕ (RDV) Distance from left hand edge of range to supply area	38
Ⓖ (RDV) Height of electrical and gas supply area (from floor)	152

Specifications	
Electrical	RGV Models
Supply	120 VAC, 60Hz
Max. Current Draw	8 amp
Service	15 amp circuit
Electrical	RDV Models
Supply	120/240 VAC, 60Hz
Max. Current Draw	18 amp
Service	30 amp circuit

Gas - Natural	
Connection	1/2" NPT Minimum 5/8" dia. flex line
Supply Pressure	Supply Pressure: 6" to 9" W.C.
Gas - LP	
Connection	1/2" NPT Minimum 5/8" dia. flex line
Supply Pressure*	11" to 14" W.C.

A regulator is required at the LP source to provide a maximum pressure of 14" W.C. to the range regulator

RDV models



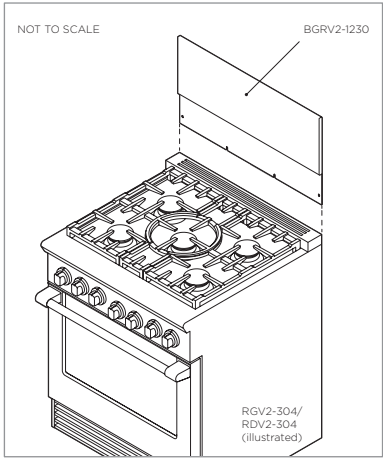
DATE: **24.04.2018**

IMPORTANT: Throughout this guide, dimensions may vary by ±2mm (1/16"). Read the installation guide for detailed information on installing the product. For full installation instructions and specifications visit fisherpaykel.com

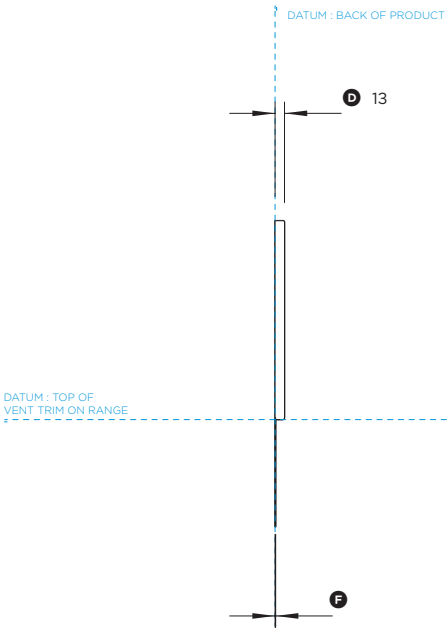
0 100 200 400 millimetres

FISHER & PAYKEL

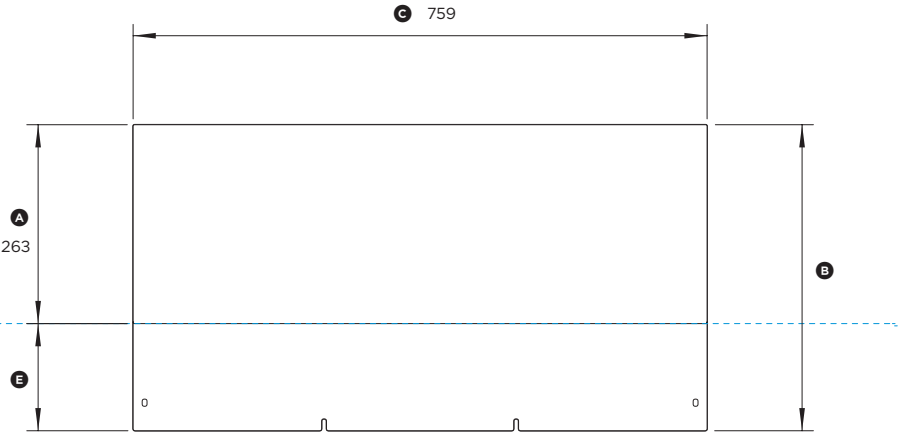
PRODUCT DIMENSIONS 30" Professional Range Backguard



PLAN VIEW



PROFILE VIEW



FRONT VIEW

Product Dimensions	mm
Ⓐ Height of backguard above vent trim on range	263
Ⓑ Overall height of backguard	405
Ⓒ Overall width of backguard	759
Ⓓ Overall depth of backguard	13
Ⓔ Height of backguard below vent trim on range	142
Ⓕ Depth of backguard below vent trim on range	1

INDICATES PRODUCT DATUM -----

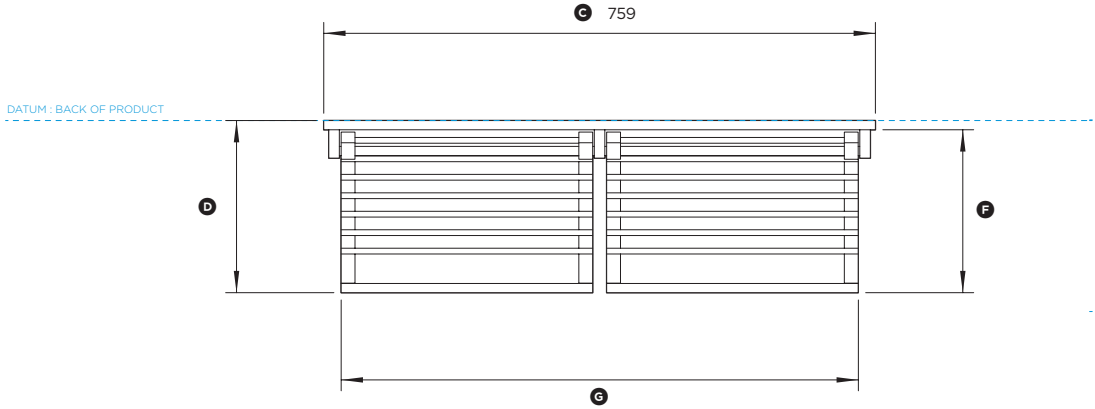
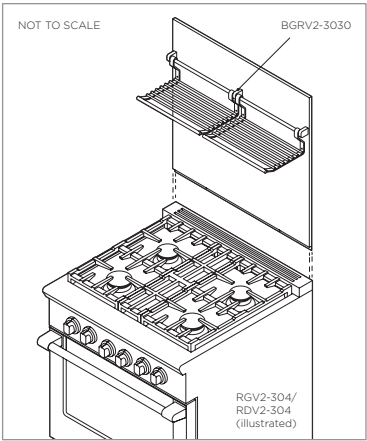


DATE: 24.04.2018

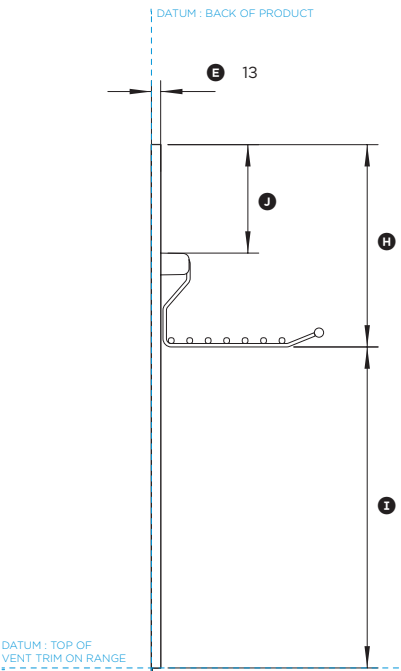
IMPORTANT: Throughout this guide, dimensions may vary by ±2mm (1/16"). Read the installation guide for detailed information on installing the product. For full installation instructions and specifications visit fisherpaykel.com

FISHER & PAYKEL

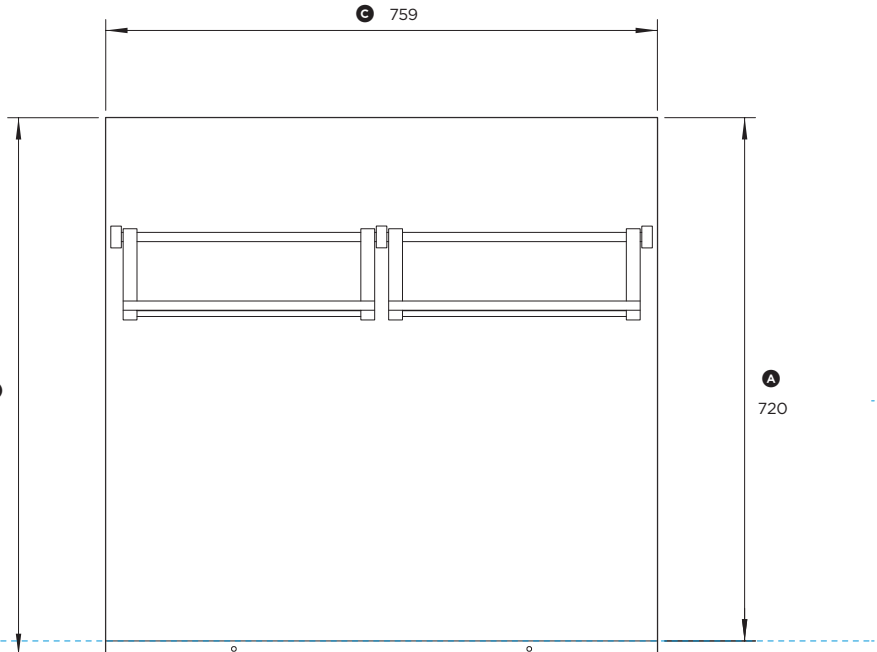
PRODUCT DIMENSIONS 30" Professional Range Backguard



PLAN VIEW



PROFILE VIEW



FRONT VIEW



Model no:
BGRV2-3030

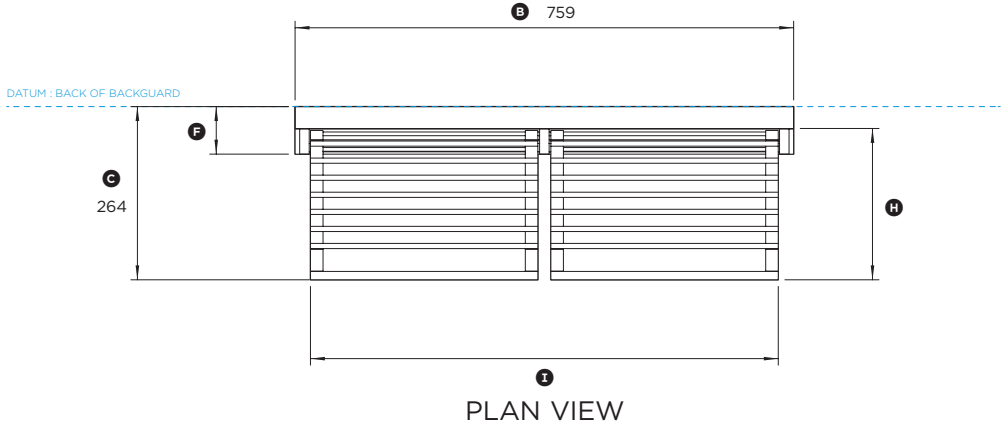
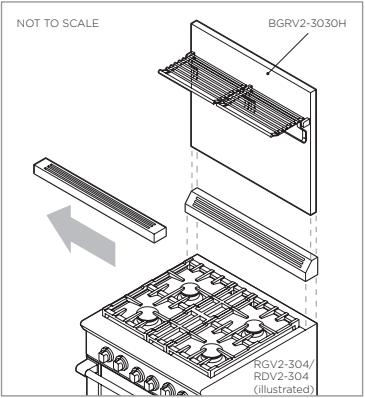
Product Dimensions	mm
Ⓐ Height of backguard above vent trim on range	720
Ⓑ Overall height of backguard	740
Ⓒ Overall width of backguard	759
Ⓓ Overall depth of backguard and racks	237
Ⓔ Depth of backguard	13
Ⓕ Depth of racks	224
Ⓖ Width of racks	711
Ⓜ Distance from top of backguard to bottom of racks	278
Ⓝ Distance from bottom of backguard to bottom of racks	442
Ⓞ Distance from top of backguard to top of brackets	149
Ⓟ Height of backguard below vent trim on range	20
Ⓠ Depth of backguard below vent trim on range	1

DATE: **24.04.2018**

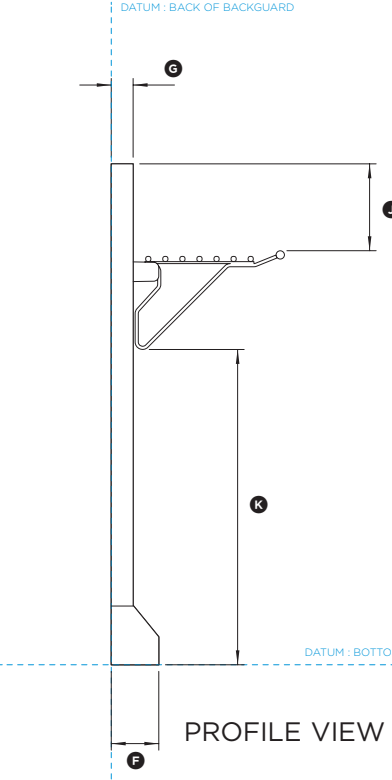
IMPORTANT: Throughout this guide, dimensions may vary by ±2mm (1/16"). Read the installation guide for detailed information on installing the product. For full installation instructions and specifications visit fisherpaykel.com

FISHER & PAYKEL

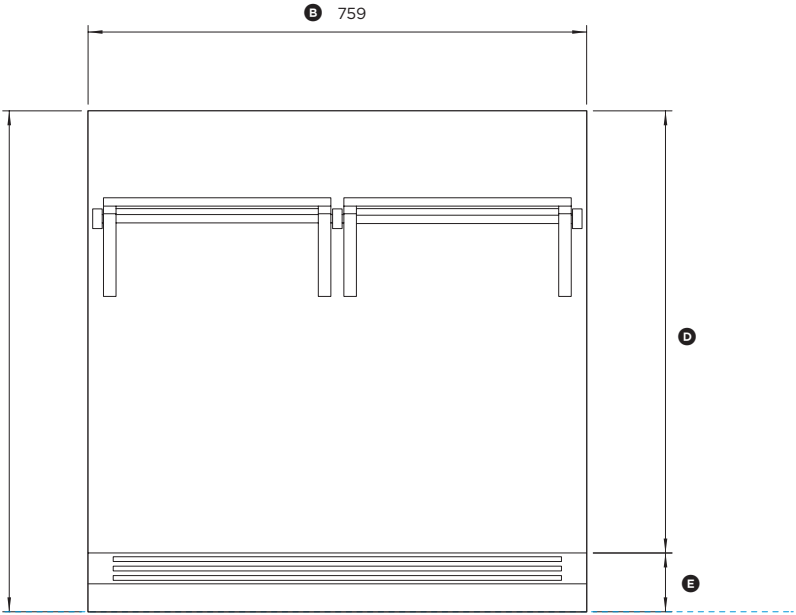
PRODUCT DIMENSIONS 30" Professional Range Backguard with Angled Vent Trim



PLAN VIEW



PROFILE VIEW



FRONT VIEW



Model no:
BGRV2-3030H

Product Dimensions	mm
Ⓐ Overall height of backguard with angled vent trim	763
Ⓑ Overall width of backguard	759
Ⓒ Overall depth of backguard and racks	264
Ⓓ Height of backguard	673
Ⓔ Height of angled vent trim	90
Ⓕ Depth of angled vent trim	72
Ⓖ Depth of backguard	33
Ⓜ Depth of racks	230
Ⓝ Width of racks	712
Ⓞ Distance from top of backguard to top of racks	136
Ⓟ Distance from bottom of angled vent trim to bottom of racks	480

Note: Angled vent trim supplied with BGRV2-3030H.
Remove flat vent trim and replace with angled vent trim.

INDICATES PRODUCT DATUM -----

DATE: **24.04.2018**

IMPORTANT: Throughout this guide, dimensions may vary by ±2mm (1/16").
Read the installation guide for detailed information on installing the product.
For full installation instructions and specifications visit fisherpaykel.com

IMPORTANT: The product dimensions and specifications apply at the date of issue. Under our policy of continuous product improvement, these dimensions and specifications may change at any time. Dimensions may vary by $\pm 2\text{mm}$ (1/16"). Please read the installation guide for detailed information on installing the product or visit fisherpaykel.com.

April 2018