

30" Series 5 Contemporary Over the Range Microwave

Contemporary



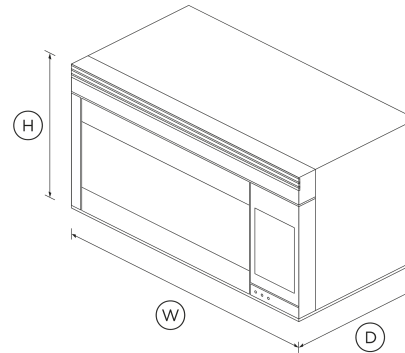
Pair the flexibility of convection and microwave cooking with a powerful ventilation fan for above your range.

- 12 cooking modes including Defrost, Popcorn and Reheat
- Powerful fan, and hood light
- Easy clean removable carousel

DIMENSIONS

Height 16 11/32 "

Width 30 "
Depth 15 9/32 "



SPECIFICATIONS

Functions

Popcorn •

Power Requirements

Supply frequency 60 Hz
Supply voltage 120 V

Product Dimensions

Depth 15 9/32 "
Height 16 11/32 "

Width 30 "

Ventilation Performance

Air outlet size 3 1/4" x 10" rectangular duct
Ducted Top extraction & Left, right or front
Fan speeds 2
Filter cleaning alert true
Maximum air movement 300 CFM
Maximum sound rating 7.7 sones
Minimum sound rating 7
Recirculation Back optional

SKU 71601

The product dimensions and specifications in this page apply to the specific product and model. Under our policy of continuous improvement, these dimensions and specifications may change at any time. You should therefore check with Fisher & Paykel's Customer Care Centre to ensure this page correctly describes the model currently available. © Fisher & Paykel Appliances Ltd 2020

Other product downloads available at fisherpaykel.com

- ↓ Installation Guide (English)
- ↓ Right To Repair Declaration (English, Canadian French)
- ↓ User Guide (English)

Where applicable:

All appliances use energy, and energy usage typically generates carbon emissions. **Fisher & Paykel Appliances' In-use Energy Carbon Emissions Estimate** indicates carbon emissions from a product's in-use energy. This is calculated either annually or per cycle, using the product's market-specific energy label energy consumption data multiplied by the carbon emissions factor for energy in your country or region.

Our In-use Energy Carbon Emissions Estimate is designed to assist customers in making informed purchasing decisions when comparing different Fisher & Paykel products. For example, a heat pump dryer typically has a lower In-use Energy Carbon Emissions Estimate than a vented dryer.



A PEACE OF MIND SALE
24 Hours 7 Days a Week Customer Support
T 1.888.936.7872 W www.fisherpaykel.com