

24" Series 9 Integrated Beverage Center

Integrated

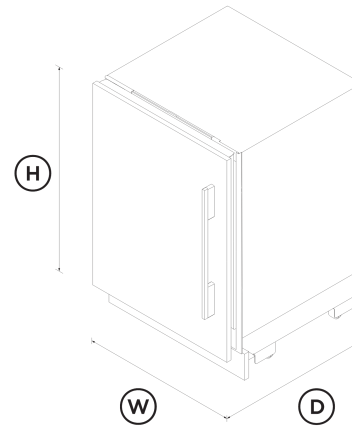


Elevate your beverage storage with our Integrated Beverage Center. Ideal for wine, craft beer and more, it's perfect for any space within your home.

- Integrates into any setting within the home, from the bar to the master suite - the choices are endless
- Spacious 4.6 cu ft capacity, with full-depth wine shelf that can accommodate up to seven bottles
- Adjustable temperature control helps to keep drinks at the ideal temperature
- Designed to fit flush, with only 3/16" gaps and no visible hinges or grilles

DIMENSIONS

Height	34 - 35 7/16 "
Width	23 5/16 "
Depth	22 11/16 "



FEATURES & BENEFITS

Complete Design Freedom

This versatile under-counter beverage center brings increased cooling capability to any space, from kitchens to home bars, rumpus rooms to home cinemas. Compact and stylish, it carefully stores a selection of beverages, from cans to beer bottles or up to seven bottles of wine in a custom rack. Pair it perfectly with our under-counter wine cabinet to create an entertainer's dream set-up.

Customized Drink Storage

The beverage center is designed to store a selection of beverages, from cans to beer bottles, or bottles of wine in a custom rack. Full extension shelving makes it simple to see and select between a pale ale or pilsner, sauvignon blanc or chardonnay.

Flexible Storage

The beverage rack includes a slidable shelf divider that moves to securely hold bottles and cans to avoid tipping, or can be removed for large items. The custom wine rack carefully cradles and displays up to seven bottles of wine.

Precise Temperature Control

Set the temperature in each zone to between 34°F and 57°F depending on your needs, or use one of our five preset modes: Fridge, Beverage, Sparkling, White Wine or Pantry to store a range of drinks at the ideal temperature.

Seamless Fit

The beverage centre is designed to fit flush, with only 3/16" gaps between surrounding cabinetry, and no visible hinges or grilles.

Intuitive Control

Temperature control at your fingertips. Adjust the temperature of your beverage center through intuitive touch controls, or remotely using the SmartHQ™ app through to Wi-Fi connectivity.

Custom Door

A tempered glass door allows you to monitor your drinks selection and restock when necessary. Also available is a panel-ready model, which allows your beverage center to be hidden seamlessly behind your custom cabinetry.

SPECIFICATIONS

Accessories (included)

Hinge change (from left hinge to right hinge)	Included	Energy rating	Energy star Most efficient	Adaptive defrost	•
		Energy usage	137 kWh/year	Frost free	•
		In-use energy carbon emissions estimate	48.3kgCO2e/year	Noise emissions	31 dBA
Accessories (sold separately)				Refrigerator temperature range	36 - 57 degrees Fahrenheit
Door panel set stainless steel	Left hinge (Framed) RD2435VL, Right hinge (Framed) RD2435VR	Controls		Sabbath mode	•
Handle kit Classic	AHCLRD35	Electronic interface	•	Variable temperature zones	1
Handle kit Contemporary round, aluminium	AHSRD35	Interior light	•	Power Requirements	
Handle kit Contemporary square fine, aluminium	AHD5RD35	Features		Rated current	10 A
Handle kit Contemporary square fine, black	AHD5RD35B	Cantilevered glass shelves	1	Supply frequency	60 Hz
Handle kit Professional round flush	AHP3RD35	Door alarm	•	Supply voltage	115 V
Joiner Kit	AJRS35LR	Front levelling feet	•	Product Dimensions	
Toe kick stainless steel 23"	AKRS2304	Full extension beverage shelf	•	Depth	22 11/16 "
Toe kick stainless steel 47"	AKRS4704	Full extension wine storage rack	•	Height	34 - 35 7/16 "
Capacity		Keylock	•	Width	23 5/16 "
Volume	4.6 cu ft	LED lighting	•	SKU	
Connected Features		Smart appliance	•	26706	
Alerts and notifications	•	SmartTouch interface at counter height	•	The product dimensions and specifications in this page apply to the specific product and model. Under our policy of continuous improvement, these dimensions and specifications may change at any time. You should therefore check with Fisher & Paykel's Customer Care Centre to ensure this page correctly describes the model currently available. © Fisher & Paykel Appliances Ltd 2020	
Education and onboarding	•	Variable temperature control	•	Other product downloads available at fisherpaykel.com	
Remote operation	•	Installation Dimensions			
Software updates	•	Minimum inside width of cabinetry frame	23 5/8 "		
Consumption		Minimum internal depth of cabinetry	23 5/8 "		
		Minimum internal height of cabinetry	34 "		
		Performance			
		ActiveSmart™ technology	•		

- [↓ DXF](#)
- [↓ DXF](#)
- [↓ DWG](#)
- [↓ Energy Label](#)
- [↓ Installation Guide \(English\)](#)
- [↓ Installation Guide \(Canadian French\)](#)
- [↓ Installation Guide \(Spanish\)](#)
- [↓ Planning Guide \(English\)](#)
- [↓ Planning Guide \(Canadian French\)](#)
- [↓ Planning Guide \(Spanish\)](#)
- [↓ California Warning Proposition 65 \(English, Spanish, Canadian French, Chinese\)](#)
- [↓ Revit](#)
- [↓ Rhino](#)
- [↓ Right To Repair Declaration \(English, Canadian French\)](#)
- [↓ SketchUp](#)
- [↓ User Guide \(English\)](#)
- [↓ User Guide \(Canadian French\)](#)
- [↓ User Guide \(Spanish\)](#)



A PEACE OF MIND SALE

24 Hours 7 Days a Week Customer Support

T 1.888.936.7872 W www.fisherpaykel.com

Where applicable:

All appliances use energy, and energy usage typically generates carbon emissions. **Fisher & Paykel Appliances' In-use Energy Carbon Emissions Estimate** indicates carbon emissions from a product's in-use energy. This is calculated either annually or per cycle, using the product's market-specific energy label energy consumption data multiplied by the carbon emissions factor for energy in your country or region.

Our In-use Energy Carbon Emissions Estimate is designed to assist customers in making informed purchasing decisions when comparing different Fisher & Paykel products. For example, a heat pump dryer typically has a lower In-use Energy Carbon Emissions Estimate than a vented dryer.