

Integrated Column Refrigerator, 76cm

Series 11 | Integrated

Panel Ready | Left hinge

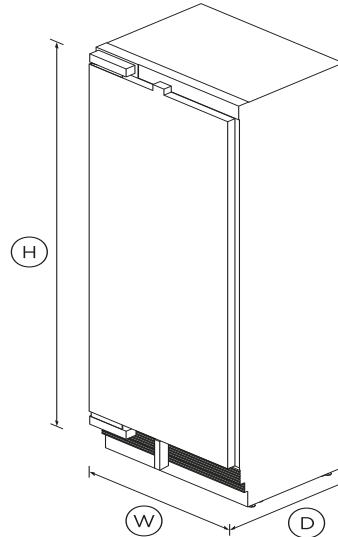


Install it separately or pair with another Column for true design freedom - this model is left hinge with stainless steel interior.

- ActiveSmart technology helps keep food fresher for longer by constantly maintaining the ideal temperature
- Variable Temperature Zone lets you change a compartment to Fridge, Pantry or Chill for optimal storage
- Customise with your own kitchen cabinetry or purchase our stainless steel door panel accessory

DIMENSIONS

Height	2134mm
Width	756mm
Depth	610mm



FEATURES & BENEFITS

VARIABLE TEMPERATURE ZONES

When it comes to optimal food preservation, one temperature does not fit all. Create the perfect climate for different food and drink types using Variable Temperature Zones. Change a compartment to Fridge, Pantry or Chill Mode for maximum everyday convenience, or change modes for additional capacity when you need it.

Pantry Mode

Not everything benefits from cold storage. Pantry Mode (11 to

13°C) is the perfect climate to store foods that benefit from a cool, dark place, including bread, many types of fruit, bananas, avocados, tomatoes, nuts, grains and cereals.

Mix & Match

Integrated Column Refrigeration gives you the freedom to mix and match. Different-sized Column Fridges and Freezers can be installed separately or paired. Finish them with our stainless steel door panels or customise to match your own kitchen cabinetry.

Clever Energy

Our ActiveSmart Foodcare Refrigerator Freezers adapt to daily use by cooling and defrosting only when needed. This means your refrigerator uses the energy it needs without compromising on food care.

Appealing illumination

Bright LEDs light up each ceiling, shelves, bins and trays in both refrigerator and freezer, making it easy to find your food and creating a welcoming glow in your kitchen for those midnight snacks.

Design quality

The premium design and quality finish includes a steel interior lining as well as full-extension metal shelf runners for easy access, and robust glass shelving.

Easy Install

Integrated Column Refrigerators and Freezers have been developed to make their installation easy. The joiner kit is included when pairing refrigerators and freezers. All models come with front adjustable levelling feet and they've been designed to easily slide into place as separate units.

SPECIFICATIONS

Accessories (sold separately)

Door panel stainless steel Left	RD7621L10D
Door panel stainless steel Right	RD7621R10D
Handle kit Contemporary	AHS-RD21

Handle kit Contemporary	AHD5RDSF
Handle kit Contemporary	AHD5RDSFB
Handle kit Contemporary	AHD3-RD21
Joiner kit	AJ-RS21LR
Toe kick stainless steel	AKRS12210
Toe kick stainless steel	AKRS13710
Toe kick stainless steel	AKRS15210
Toe kick stainless steel 1981mm	AKRS19810
Toe kick stainless steel	AKRS21310
Toe kick stainless steel 762mm	AKRS7610

Capacity

Total net volume	458L
Volume	463L
Volume refrigerator	463L

Consumption

Energy rating	4 ticks
Energy usage	179kWh/year

Features

Adjustable door shelves	4
Adjustable glass shelves	4
Covered door shelves	1
Door alarm	•
Front levelling feet	•
Gallon door shelves	1
LED bin lighting	•
LED ceiling lighting	•
LED side lighting	•

SmartTouch interface at	•
Stackable bottle holders	4

Freezer Features

LED bin lighting	•
LED ceiling lighting	•
LED lighting	•
LED side lighting	•
SmartTouch interface at	•

Installation Dimensions

Minimum inside width of	762mm
Minimum internal depth of	635mm
Minimum internal height of	2134mm

Performance

ActiveSmart™ Foodcare	•
Adaptive defrost	•
Dual evaporator	•
Frost free	•
Frost free freezer	•
Humidity control system	•
Inverter controlled compressor	•
Noise emissions	42dBA
Noise emissions class	D
Sabbath mode	•
Variable temperature zones	2

Power requirements

Rated current	10A
---------------	-----

Supply frequency	50Hz
Supply voltage	230V

Product dimensions

Depth	610mm
Height	2134mm
Height to top of cabinet	756mm
Width	756mm

Warranty

Parts and labour	2 years
Sealed system parts only	5 years

SKU	25673
-----	-------

The product dimensions and specifications in this page apply to the specific product and model. Under our policy of continuous improvement, these dimensions and specifications may change at any time. You should therefore check with Fisher & Paykel's Customer Care Centre to ensure this page correctly describes the model currently available. ? Fisher & Paykel Appliances Ltd 2020



A PEACE OF MIND SALE

24 Hours 7 Days a Week Customer Support

T +65 6741 0777 W www.fisherpaykel.com