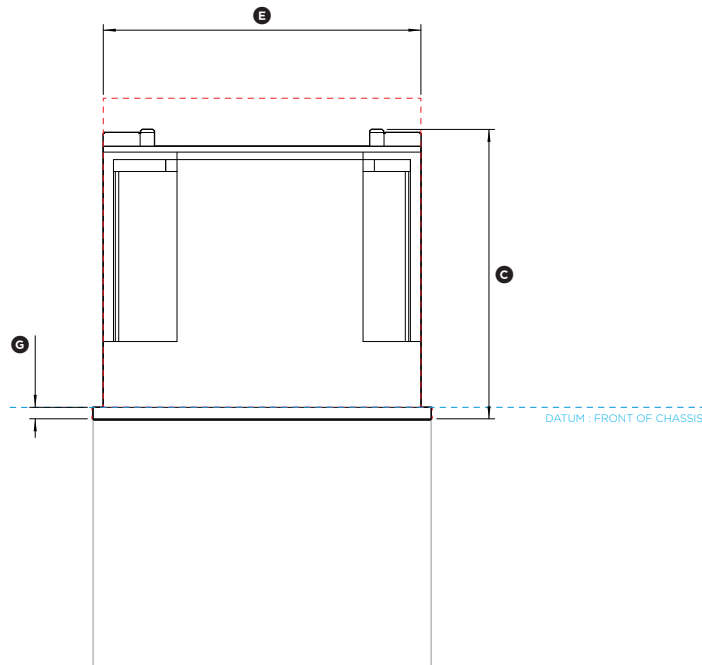
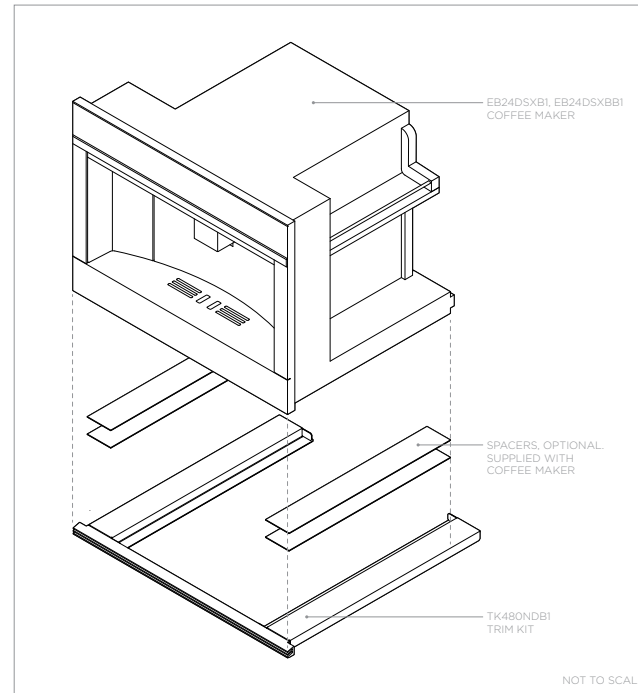


FISHER & PAYKEL

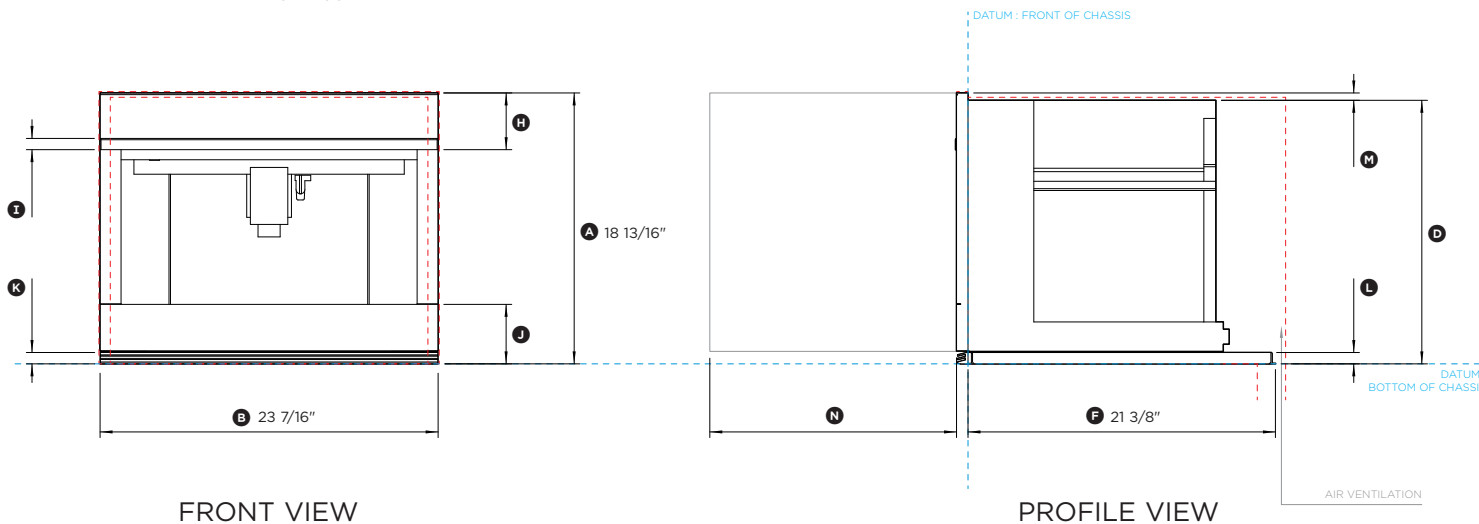
DATA SHEET Coffee Maker with Trim Kit

Model no:
EB24DSXB1 with TK480NDB1, EB24DSXBB1 with TK480NDB1
(refer page 2 for metric measurements)

Product Dimensions	Inches
Ⓐ Overall height of coffee maker and trim kit	18 13/16"
Ⓑ Overall width of coffee maker and trim kit	23 7/16"
Ⓒ Overall depth of coffee maker and trim kit (excludes front metal trim)	20 1/8"
Ⓓ Height of chassis and trim kit	18 5/16"
Ⓔ Width of chassis and trim kit	22 1/16"
Ⓕ Depth of chassis and trim kit	21 3/8"
Ⓖ Depth of coffee maker front frame and control panel (excludes front metal trim)	13/16"
Ⓜ Height of control panel	3 15/16"
Ⓣ Height of metal cap on control panel	13/16"
Ⓢ Height of horizontal lower section (includes glass and grille)	4 1/8"
Ⓚ Height of trim grille	13/16"
Ⓛ Height of trim kit support brackets	13/16"
Ⓜ Stepdown from control panel to chassis	1/2"
Ⓝ Extent coffee maker pulls out (measured from glass front)	17 1/8"



PLAN VIEW



FRONT VIEW

PROFILE VIEW

Minimum Clearances	Inches
Minimum inside height of cavity (proud installation)	18 1/2"
Minimum inside width of cavity	22 1/16"
Minimum inside depth of cavity from front datum	21 1/2"
Overall height of cabinetry (cavity around front frame)	18 15/16"
Overall width of cabinetry (cavity around front frame)	23 5/8"
Rear ventilation air vent depth*	2"
Rear ventilation air vent width*	22 1/16"

*A rear ventilation air vent totalling 43.4in² is required. The air vent must be located at the rear of cabinet, it can be positioned at the base, sides, back or top of the cavity.

IMPORTANT NOTE: For full installation and clearance details please refer to our installation manual.

INDICATES PRODUCT DATUM -----
INDICATES CABINETY CLEARANCES - - - - -

DATE: 18.06.2019

IMPORTANT NOTE: Throughout this guide, dimensions may vary by ±2mm (1/16"). Please read the installation manual for detailed information on installing the product. For full installation instructions & specifications visit fisherpaykel.com

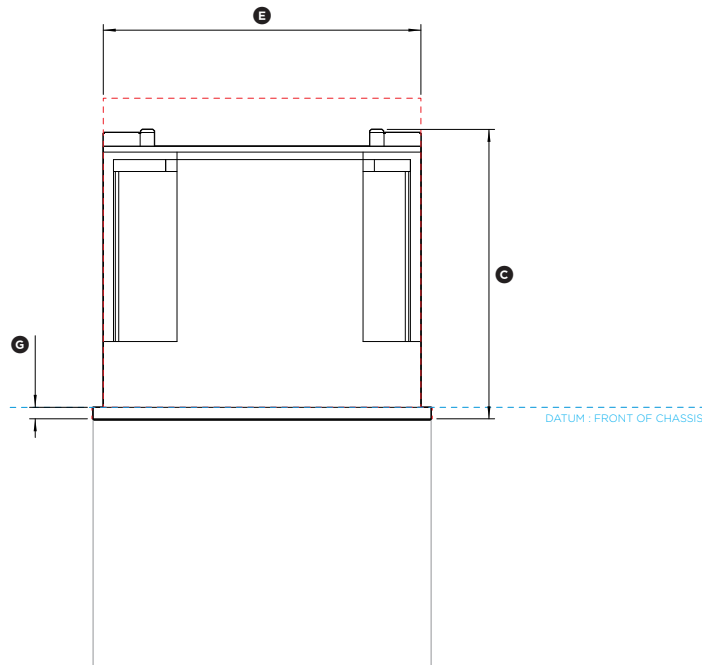
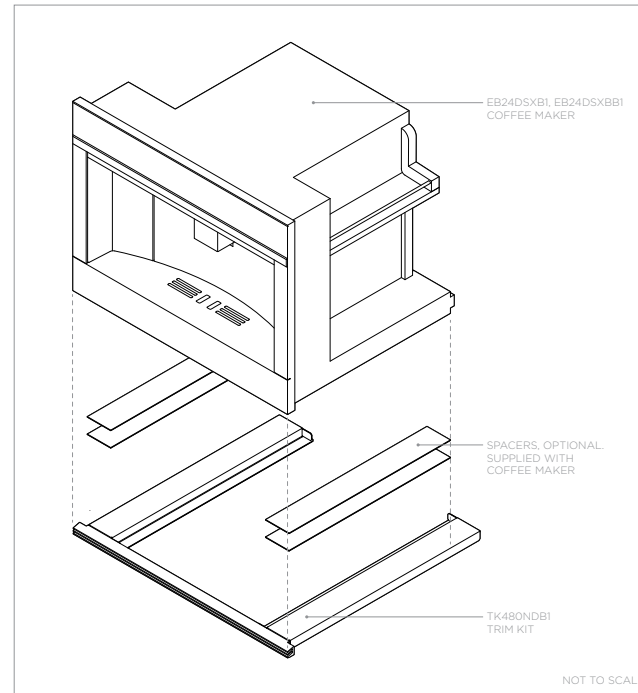


FISHER & PAYKEL

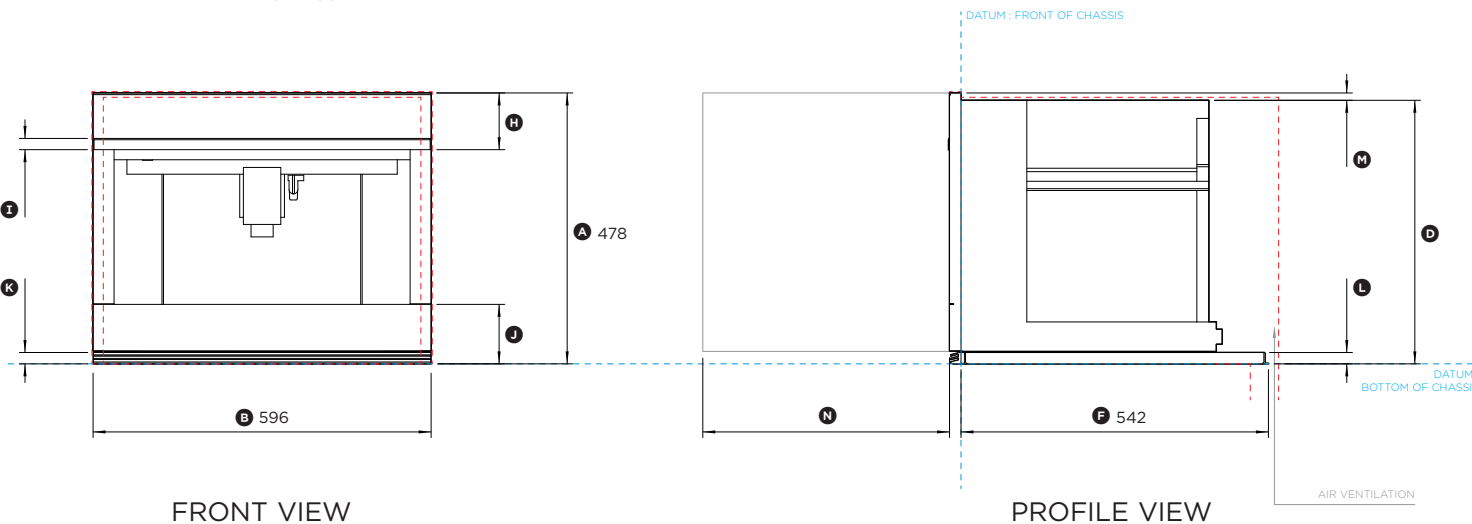
DATA SHEET Coffee Maker with Trim Kit

Model no:
EB24DSXB1 with TK480NDB1, EB24DSXBB1 with TK480NDB1
(refer page 1 for imperial measurements)

Product Dimensions	mm
Ⓐ Overall height of coffee maker and trim kit	478
Ⓑ Overall width of coffee maker and trim kit	596
Ⓒ Overall depth of coffee maker and trim kit (excludes front metal trim)	511
Ⓓ Height of chassis and trim kit	465
Ⓔ Width of chassis and trim kit	560
Ⓕ Depth of chassis and trim kit	542
Ⓖ Depth of coffee maker front frame and control panel (excludes front metal trim)	20
Ⓗ Height of control panel	100
Ⓘ Height of metal cap on control panel	20
Ⓚ Height of horizontal lower section (includes glass and grille)	105
Ⓛ Height of trim grille	20
Ⓜ Height of trim kit support brackets	20
Ⓝ Stepdown from control panel to chassis	13
Ⓞ Extent coffee maker pulls out (measured from glass front)	435



PLAN VIEW



FRONT VIEW

PROFILE VIEW

Minimum Clearances	mm
Minimum inside height of cavity (proud installation)	470
Minimum inside width of cavity	560
Minimum inside depth of cavity from front datum	545
Overall height of cabinetry (cavity around front frame)	480
Overall width of cabinetry (cavity around front frame)	600
Rear ventilation air vent depth*	50
Rear ventilation air vent width*	560

*A rear ventilation air vent totalling 280cm² is required. The air vent must be located at the rear of cabinet. It can be positioned at the base, sides, back or top of the cavity.

IMPORTANT NOTE: For full installation and clearance details please refer to our installation manual.

INDICATES PRODUCT DATUM -----
INDICATES CABINERY CLEARANCES -----

DATE: 18.06.2019

IMPORTANT NOTE: Throughout this guide, dimensions may vary by ±2mm (1/16"). Please read the installation manual for detailed information on installing the product. For full installation instructions & specifications visit fisherpaykel.com

