

# Microwave Oven, 60cm

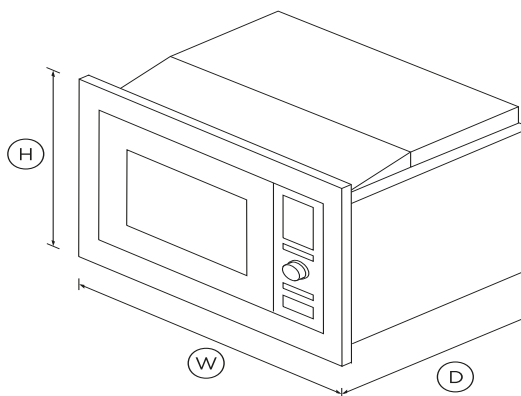
Series 5 | Contemporary

Stainless Steel



## DIMENSIONS

<b>Height</b>	<b>388</b>
<b>Width</b>	<b>595</b>
<b>Depth</b>	<b>400</b>



## SPECIFICATIONS

### Accessories

Glass tray	•
Glass turntable	<b>315mm</b>
Removable side racks	•

### Capacity

Total	<b>40L</b>
Total capacity	<b>28L</b>

### Cleaning

Easy clean enamel interior	•
Easy clean glass inner door	•
Easy clean stainless steel	•

### Controls

Electronic clock	•
Kitchen timer	•
LED display	•
Turbo plus fan controlled	•
Turntable	•

### Functions

Auto cooking menus	<b>8</b>
Defrost	•
Grill High	•
Grill High + Microwave	•
Grill Medium	•
Grill Medium + Microwave	•
Microwave Max	•
Popcorn	•
Quick 30 seconds	•
Warm	•

### Performance

Glazed door	<b>triple glazed</b>
Heat Circulation	•
Microwave + Heat Circulation	•

Microwave by levels	•
Microwave power	900W
Microwave power levels	5
Thermostat regulation	35-220 &degC

---

**Power requirements**

Supply frequency	50Hz
Supply voltage	240V

---

**Product dimensions**

Depth	400
Height	388
Width	595

---

**Safety**

Child lock	•
Safety thermostat	•

---

SKU	82202
-----	-------

---

---

**Other product downloads available at fisherpaykel.com**

- [↓](#) User Guide
- [↓](#) Service & Warranty Booklet
- [↓](#) Installation Guide

**A PEACE OF MIND SALE****24 Hours 7 Days a Week Customer Support****T 1300 650 590 W [www.fisherpaykel.com](http://www.fisherpaykel.com)**

TEST The product dimensions and specifications in this page apply to the specific product and model. Under our policy of continuous improvement, these dimensions and specifications may change at any time. You should therefore check with Fisher & Paykel's Customer Care Centre to ensure this page correctly describes the model currently available. ? Fisher & Paykel Appliances Ltd 2020