

# FISHER & PAYKEL

## DATA SHEET Drawer Microwave, 24"

### Model no:

OMD24SDB1

(refer page 2 for metric measurements)

### Product Dimensions

|  | Inch      |
|--|-----------|
| Ⓐ Overall height                             | 15 15/16" |
| Ⓑ Overall width                              | 23 7/8"   |
| Ⓒ Overall depth                              | 23 5/16"  |
| Ⓓ Height of chassis                          | 14 3/4"   |
| Ⓔ Width of chassis                           | 21 15/16" |
| Ⓕ Depth of chassis                           | 21 3/4"   |
| Ⓖ Height of control panel                    | 3 1/16"   |
| Ⓗ Drawer opening distance                    | 13"       |
| Ⓙ Gap between door and control panel         | 3/16"     |
| Ⓚ Height from bottom datum to bottom of door | 1/4"      |
| Ⓛ Height of door                             | 12 7/16"  |
| Ⓜ Depth of electrical inlet                  | 4"        |
| Ⓝ Width of electrical inlet                  | 4 13/16"  |
| Ⓟ Control panel depth                        | 1 9/16"   |
| Ⓠ Height to bottom of anti tip block         | 14 13/16" |

\*Anti tip block is not supplied with product. Include in cabinetry design

### Dimension Clearances

|                                 | Inch      |
|---------------------------------|-----------|
| Minimum inside height of cavity | 15 1/12"  |
| Minimum inside width of cavity  | 22 1/8"   |
| Minimum inside depth of cavity  | 21 15/16" |

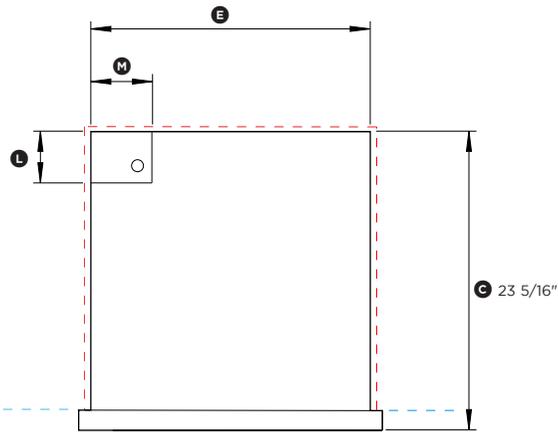
IMPORTANT NOTE: For full installation and clearance details please refer to our installation manual.

INDICATES CABINETRY / PRODUCT DATUM -----  
INDICATES CABINETRY CLEARANCES -----

DATE: 18.04.2023

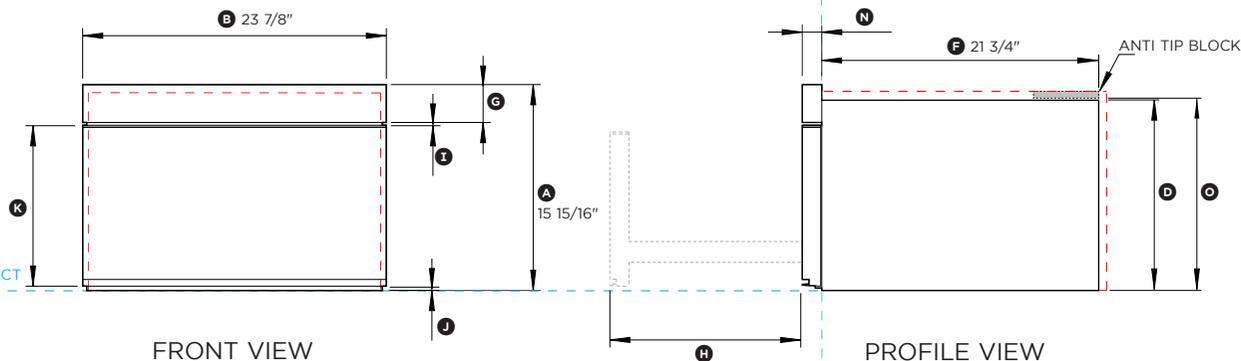
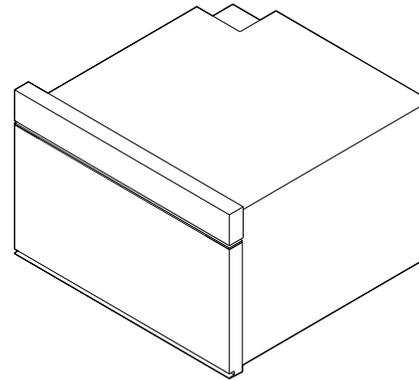
90003032B

IMPORTANT NOTE: Throughout this guide, dimensions may vary by  $\pm 2\text{mm}$  (1/16"). Please read the installation manual for detailed information on installing the product. For full installation instructions & specifications visit [fisherpaykel.com](http://fisherpaykel.com)



DATUM FRONT OF CHASSIS

PLAN VIEW



DATUM BOTTOM OF PRODUCT

FRONT VIEW

PROFILE VIEW

DATUM FRONT OF CHASSIS



Inches

# FISHER & PAYKEL

## DATA SHEET Drawer Microwave, 24"

### Model no:

OMD24SDB1

(refer page 1 for imperial measurements)

### Product Dimensions

|  | mm  |
|--|-----|
| Ⓐ Overall height                             | 405 |
| Ⓑ Overall width                              | 606 |
| Ⓒ Overall depth                              | 592 |
| Ⓓ Height of chassis                          | 374 |
| Ⓔ Width of chassis                           | 557 |
| Ⓕ Depth of chassis                           | 552 |
| Ⓖ Height of control panel                    | 78  |
| Ⓗ Drawer opening distance                    | 330 |
| Ⓙ Gap between door and control panel         | 5   |
| Ⓚ Height from bottom datum to bottom of door | 6   |
| Ⓛ Height of door                             | 316 |
| Ⓜ Depth of electrical inlet                  | 102 |
| Ⓝ Width of electrical inlet                  | 122 |
| Ⓞ Control panel depth                        | 40  |
| Ⓟ Height to bottom of anti tip block         | 377 |

\*Anti tip block is not supplied with product. Include in cabinetry design

### Dimension Clearances

|                                 | mm  |
|---------------------------------|-----|
| Minimum inside height of cavity | 393 |
| Minimum inside width of cavity  | 562 |
| Minimum inside depth of cavity  | 557 |

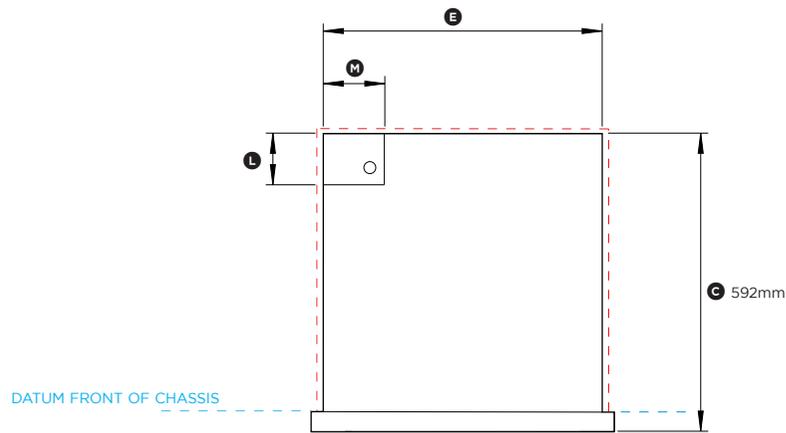
IMPORTANT NOTE: For full installation and clearance details please refer to our installation manual.

INDICATES CABINETRY / PRODUCT DATUM -----  
INDICATES CABINETRY CLEARANCES - - - - -

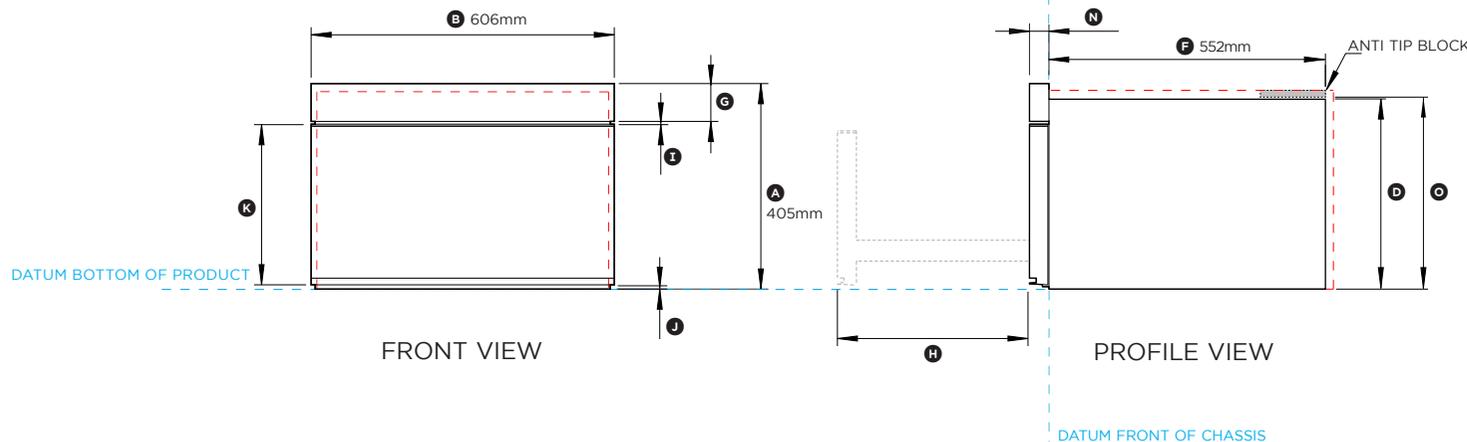
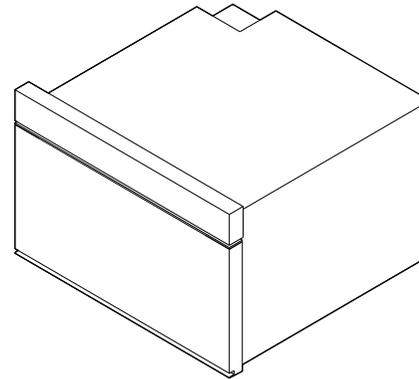
DATE: 18.04.2023

90003032B

IMPORTANT NOTE: Throughout this guide, dimensions may vary by  $\pm 2\text{mm}$  (1/16"). Please read the installation manual for detailed information on installing the product. For full installation instructions & specifications visit [fisherpaykel.com](http://fisherpaykel.com)



PLAN VIEW



FRONT VIEW

PROFILE VIEW



Millimeters