

**76CM BUILT-IN OVENS AND COMPANIONS
CONTEMPORARY BLACK**

PLANNING GUIDE

SERIES 9

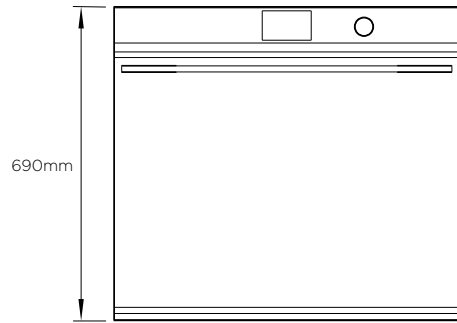
OB76SDPTDB1 | OS76NDTDB1 | OM76NDTDB1 | EB60DSXBB1 | TK76NDBB1

FISHER & PAYKEL

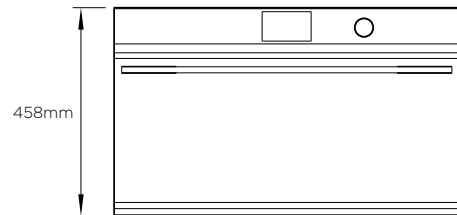
This comprehensive Planning Guide provides you with the framework and tools to achieve your desired design outcome with Fisher & Paykel appliances. In this guide, you will find a range of conceptual, detailed, and dimensional product information to bring your ideas to life and create spaces that truly reflect your vision.

CONCEPT DESIGN	PAGE	DEVELOPED AND DETAILED DESIGN	PAGE	DEVELOPED AND DETAILED DESIGN	PAGE
Design Choices	4				
Specification Guides Oven		Planning Guide information for Developed and Detailed Design available in Q3 2024			
Built-In Oven	6				
Specification Guides Steam & Microwave Ovens					
Combination Steam Oven	8				
Combination Microwave Oven	9				
Specification Guides Coffee Maker					
Built-In Coffee Maker with Trim Kit	11				

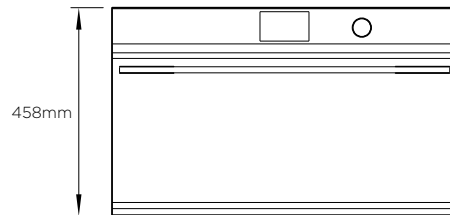
DESIGN CHOICES



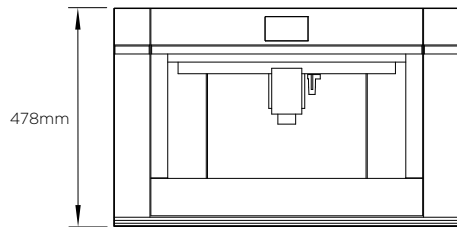
①



②



③



④

PRODUCT OVERVIEW

① **OB76SDPTDB1**

Built-In Oven, 5" Touchscreen, Dial Control

② **OS76NDTDB1** (AVAILABLE Q3, 2024)

Combination Steam Oven, 5" Touchscreen, Dial Control

③ **OM76NDTDB1** (AVAILABLE Q3, 2024)

Combination Microwave Oven, 5" Touchscreen, Dial Control

④ **EB60DSXBB1 (Trim Kit TK76NDBB1)**

Built-in Coffee Maker, 4.3" Touchscreen

CONSIDERATION

Different configurations possible, consider product heights for side-by-side installation.

SPECIFICATION GUIDE

SERIES 9



OVERVIEW

Enhance your kitchen design with the refined styling of the 76cm Oven. Complementing the other products in our Contemporary Black collection, you can create a coherent, considered look with ease. Intuitive controls and the performance to deliver perfect results make this oven

PRODUCTS

OB76SDPTDB1

Built-In Oven, 76cm, 17 Function, 115L, Dial Controls, Touchscreen

SERIES & STYLE

Series 9
Contemporary Black

FEATURES

- ① Designed to fit flush with cabinetry
- ② Styled to complement our Contemporary Black kitchen appliances
- ③ Generous 115L total capacity
- ④ Intuitive, large 5" touchscreen display with illuminated dial
- ⑤ Guided cooking and recipes
- ⑥ Perfect results from 17 oven functions including Roast and Vent Bake, as well as new functions Air Fry, Dehydrate and Rapid Proof
- ⑦ Even heat distribution throughout with AeroTech™ technology
- ⑧ Self-cleaning function breaks down food residue for an easy clean
- ⑨ Triple-glazed CoolTouch door is safe to touch from the outside
- ⑩ Wi-Fi/Connected capability through the SmartHQ™ app

ACCESSORIES

- ① Full-extension sliding shelves*
- ② Self-cleaning-proof side racks*
- ③ Roasting dish, tray and rack*
- ④ Wired Temperature Sensor*

*Included with product

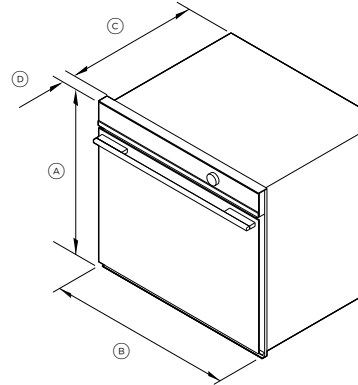


The models shown in this Planning Guide may not be available in all markets and are subject to change at any time. Product specifications may vary from those shown. This Planning Guide should not be used as installation guidance for any product. Further information is required to safely and correctly install the products featured here. Specific installation guidance will be available on our website fisherpaykel.com

SPECIFICATIONS

Model No.	OB76SDPTDB1
Dimensions	H 690mm W 760mm D 609mm
Total Oven Capacity	115L
Weight	
Packaged	110kg
Electrical	
Supply	220-240 V, 50 Hz
Service	20 A

PRODUCT DIMENSIONS

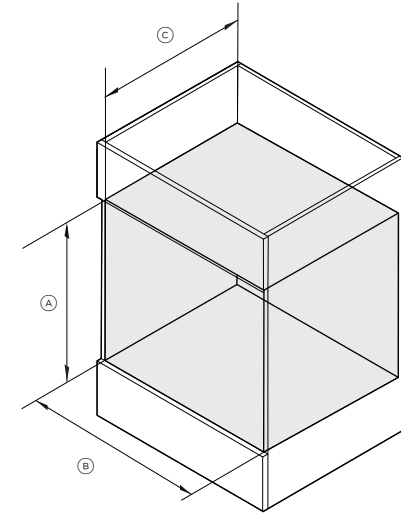


ISO VIEW

	mm
(A) Overall height	690
(B) Overall width	760
(C) Depth of chassis	569
(D) Thickness of oven front and control panel (excl. handle and dials)	40
Depth of oven door when fully open (measured from front of control panel)	550

Note: If installing with other contemporary black products, consider trim front thickness.

CAVITY DIMENSIONS: STANDARD INSTALLATION



ISO VIEW

	mm
(A) Minimum inside height of cavity	681
(B) Minimum inside width of cavity	724
(C) Minimum inside depth of cavity for flush installation	615



OVERVIEW

With subtle Contemporary Black styling, the compact Combination Steam Oven fits seamlessly into any kitchen. As a companion product, this Steam Oven is designed to install easily and fit perfectly with other companion products. It features 23 functions, including steam-only, convection-only, or a combination of both. Reduce the need for oils and fats with six standalone steam functions, perfect for creating flavourful and healthy restaurant-quality meals at home. Beautiful to use, the large 5" touchscreen interface has simple and intuitive guided cooking, helping to ensure perfect results.

PRODUCTS

OS76NDTDB1

Combination Steam Oven, 76cm, 23 Function

SERIES & STYLE

Series 9
Contemporary Black

FEATURES

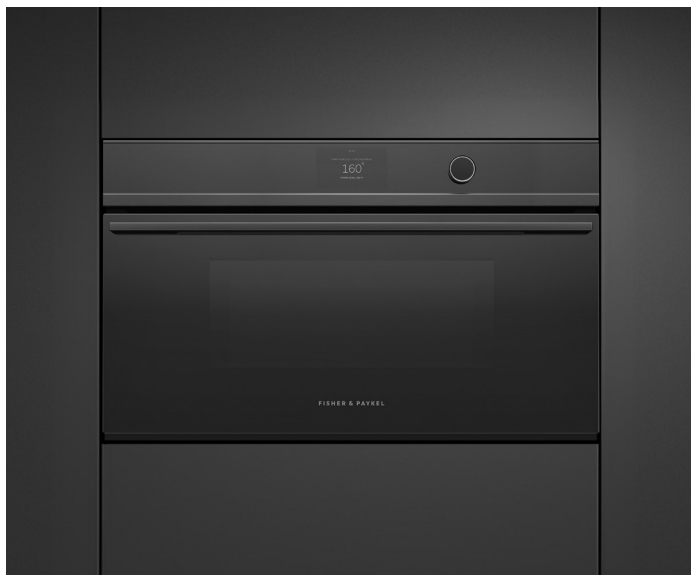
- ① Contemporary Black style, designed to fit flush with cabinetry
- ② With 55L total capacity
- ③ Intuitive, large 5" touchscreen display with illuminated dial
- ④ 23 oven functions, including six steam-only functions
- ⑤ Moisture control and even heat distribution thanks to ActiveVent and AeroTech™ technology
- ⑥ Guided cooking, with the option to access additional functionality via the SmartHQ™ app, with the purchase of the wireless temperature sensor
- ⑦ Motorised control panel reveals large 1.5L water tank
- ⑧ Wi-Fi/Connected capability through the SmartHQ™ app
- ⑨ Wireless Temperature Sensor precisely monitors cooking in real time
- ⑩ Soft open and close door

ACCESSORIES

- ① Full-extension sliding shelves*
- ② Step down wire shelf*
- ③ Roasting dish, tray and rack*
- ④ Wired Temperature Sensor*
- ⑤ Wireless Temperature Sensor - Part WTSC1
- ⑥ Descale solution, 2 sachets - Part 580925

*Included with product

The models shown in this Planning Guide may not be available in all markets and are subject to change at any time. Product specifications may vary from those shown. This Planning Guide should not be used as installation guidance for any product. Further information is required to safely and correctly install the products featured here. Specific installation guidance will be available on our website fisherpaykel.com



OVERVIEW

With timeless Contemporary Black styling, the Combination Microwave Oven fits seamlessly into any kitchen. As a companion product, this Microwave Oven is designed to install easily and fit perfectly with other companion products such as the Combination Steam Oven, or Vacuum Seal Drawer. A flexible appliance that pairs the speed of microwave cooking with oven technology, which can crisp and brown as it cooks. Featuring 22 cooking functions on an intuitive touch display for easy programming of desired cooking mode and duration.

PRODUCTS

OM30NDTDB1

Combination Microwave Oven, 76cm, 22 Function

SERIES & STYLE

Series 9
Contemporary Black

FEATURES

- ① Contemporary Black style, designed to fit flush with cabinetry
- ② With 49L total capacity
- ③ Intuitive, large 5" touchscreen display with illuminated dial
- ④ With 22 functions: four microwave, 14 oven and four combination
- ⑤ A Wired Temperature Sensor precisely monitors cooking in real time
- ⑥ Guided cooking, with the option to access additional functionality via the SmartHQ™ app
- ⑦ Wi-Fi/Connected capability through the SmartHQ™ app
- ⑧ Soft open and close door

ACCESSORIES

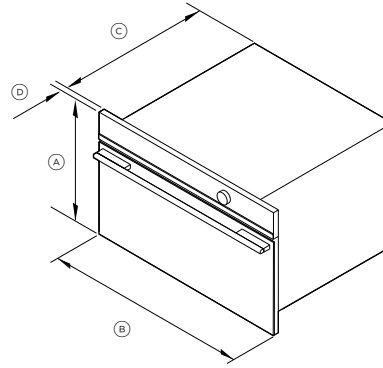
- ① Chromed shelf runners*
- ② Glass tray*
- ③ Wire shelf*
- ④ Wired Temperature Sensor*

*Included with product

SPECIFICATIONS

Model No.	OS76NDTDB1, Combination Steam Oven OM76NDTDB1, Combination Microwave Oven
Dimensions	H 458mm W 760mm D 565mm
Total Oven Capacity	
OS76NDTDB1	55L
OM76NDTDB1	49L
Weight	
Packaged	55kg
Unpackaged	46kg
Electrical	
Supply	220-240 V, 50 Hz
Service	20 A

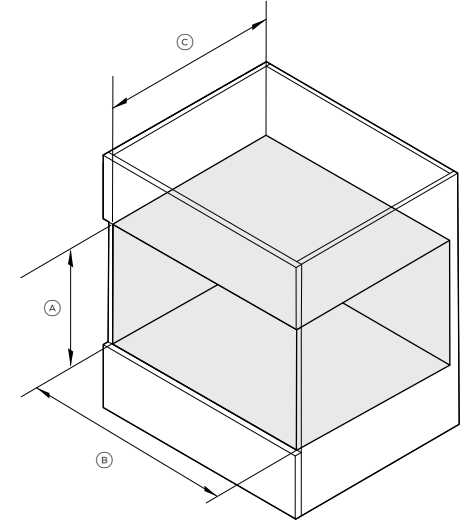
PRODUCT DIMENSIONS



ISO VIEW

	mm
(A) Overall height	458
(B) Overall width	760
(C) Depth of chassis	545
(D) Thickness of oven front and control panel (excl. handle and dials)	20
Depth of door when fully open (measured from front of control panel)	320

CAVITY DIMENSIONS: STANDARD INSTALLATION



ISO VIEW

	mm
(A) Minimum inside height of cavity	440
(B) Minimum inside width of cavity	724
(C) Minimum inside depth of cavity for flush installation	570

Note: Combination Microwave Oven requires ventilation at the rear of the cavity.



OVERVIEW

With 13 beverage options, our Coffee Maker is designed to consistently make your coffee just the way you like it.

PRODUCTS

EB60DSXBB1

Built-in Coffee Maker, 60cm, Touchscreen, Black

TK76NDBB1

Companion Trim Kit, 76cm, Black

Note: Trim Kit purchased separately



SERIES & STYLE

Series 9
Contemporary Black

FEATURES

- ① Elegant black trim
- ② Install in multiple configurations to suit your kitchen design
- ③ Optional 76cm trim kit allows seamless vertical configuration when paired with a Fisher & Paykel 76cm Oven
- ④ Intuitive touch display
- ⑤ 13 different choices from Espresso to Latte
- ⑥ Program your favourite setting
- ⑦ 5 bar pump pressure
- ⑧ Stainless steel conical burr grinder with 13 grinding coarseness positions
- ⑨ Self-cleaning function and easy to empty coffee grounds container and drip tray
- ⑩ 2.5L water tank capacity

ACCESSORIES

- ① Optional 30" trim kit - TK76NDBB1
- ② Thermal milk jug*
- ③ Extractable steam outlet*
- ④ Coffee spoon*
- ⑤ Descaling agent and water filter*

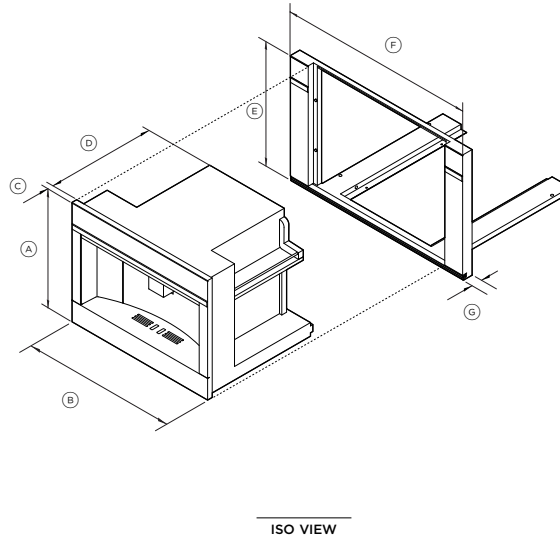
*Included with product

The models shown in this Planning Guide may not be available in all markets and are subject to change at any time. Product specifications may vary from those shown. This Planning Guide should not be used as installation guidance for any product. Further information is required to safely and correctly install the products featured here. Specific installation guidance will be available on our website fisherpaykel.com

SPECIFICATIONS

Model No.	EB60DSXBB1, Coffee Maker TK76NDBB1, Trim Kit
Dimensions with Trim Kit	H 478mm W 757mm D 480mm
Weight - Packaged	
EB60DSXBB1	33kg
Electrical	
Supply	220-240 V, 50 Hz
Service	10 A

PRODUCT DIMENSIONS

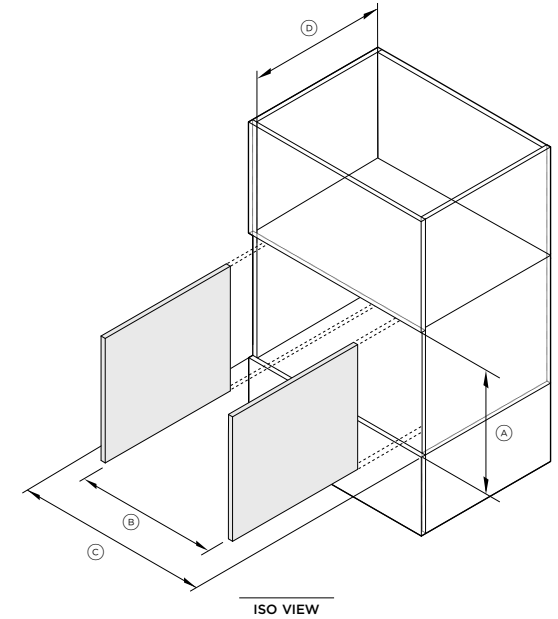


ISO VIEW

	mm
(A) Overall height of coffee maker	458
(B) Overall width of coffee maker	596
(C) Thickness of coffee maker front and control panel	20
(D) Depth of coffee maker chassis	460
(E) Overall height of coffee maker with trim kit	478
(F) Overall width of coffee maker with trim kit	757
(G) Thickness of trim front	40

Note: If installing with other contemporary black products with trim kit, consider trim front thickness.

CAVITY DIMENSIONS: STANDARD INSTALLATION



ISO VIEW

	mm
(A) Minimum inside height of cavity with trim	470
(B) Minimum inside width of cavity*	560
(C) Width needed to include trim within cabinetry	761
(D) Minimum inside depth of cavity for flush installation	570

*Cabinetry requires additional vertical sidewalls to secure the product

Note: Ventilation required at the rear of the cavity.

