

Oven, 60cm, 11 Function, Self-cleaning

Series 9 | Minimal

Black

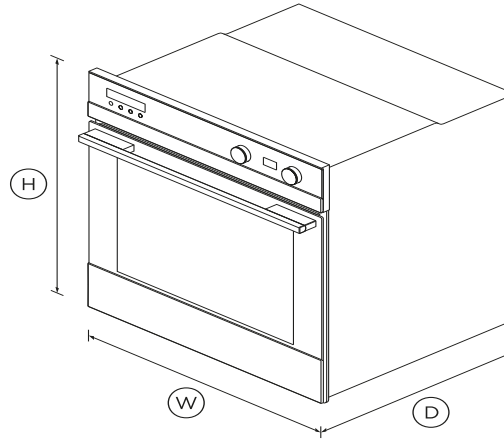


A highlight of the Fisher & Paykel collection, this Series 9 oven ensures that every dish you create is cooked to perfection.

- 85L total capacity, with 11 oven functions including Pizza Bake and Roast
- Moisture level control with ActiveVent™ technology
- Pyrolytic self-cleaning function breaks down food residue for an easy clean
- Non-tip, full-extension shelves for safe removal of hot dishes

DIMENSIONS

Height	598mm
Width	596mm
Depth	565mm



FEATURES & BENEFITS

Multi-Function Flexibility

11 functions including Roast, Pastry Bake and Fan Forced mean no matter what you're cooking, you've got the right heat to match.

Beauty Of Choice

With the choice of stylish stainless steel or elegant black, you can choose the finish that complements your kitchen design best.

Generous capacity

With a generous sized internal cavity, you can create several dishes at once using multiple shelves.

Activevent Technology

With ActiveVent™ technology for optimised moisture levels and AeroTech™ for even heat distribution, you'll get perfect results even when using multiple shelves.

Simple cleaning

Pyrolytic self-clean breaks down food residue at a very high temperature, leaving a light ash that's easily removed with a damp cloth.

Safe And Sound

The CoolTouch door features triple glazing and a cooling system that ensures it's safe to touch from the outside – protecting both your hands and the surrounding cabinetry.

SPECIFICATIONS

Accessories

Full extension sliding shelves	2 sets
Grill rack	1 set
Roasting dish	1
Smokeless grill tray	1
Step down wire shelf	1
Wired temperature sensor	1

Accessories (sold separately)

Optional Accessory round	Part 81645
--------------------------	------------

Capacity

Shelf positions	6
Total capacity	85L
Usable capacity	72L

Cleaning

Acid resistant graphite enamel	•	ActiveVent™ system	•
Pyrolytic self-clean	•	AeroTech™ technology	•
Removable oven door	•	Automatic rapid pre-heat	•
Removable oven door inner	•	Grill power	3000W
Removable shelf runners	•	Whisper quiet cooking	•

Controls

Audio feedback	•	Amperage	15A
Automatic cooking/minute	•	Supply frequency	50Hz
Automatic pre-set	•	Supply voltage	220 - 240V
Celsius/Fahrenheit	•		
Electronic clock	•		
Electronic oven control	•		
Soft close doors	•		

Power requirements

Product dimensions

Depth	565mm
Height	598mm
Width	596mm

Functions

Bake	•	Safety	
Classic bake	•	Balanced oven door	•
Fan bake	•	Catalytic venting system	•
Fan forced	•	Control panel key lock	•
Fan grill	•	CoolTouch door	•
Grill	•	Non-tip shelves	•
Number of functions	11		
Pastry Bake	•	Warranty	
Pyrolytic self-clean	•	Parts and labour	2 years
Roast	•		
Vent bake	•		
Warm	•	SKU	82144

The product dimensions and specifications in this page apply to the specific product and model. Under our policy of continuous improvement, these dimensions and specifications may change at any time. You should therefore check with Fisher & Paykel's Customer Care Centre to ensure this page correctly describes the model currently available. Fisher & Paykel Appliances Ltd 2020

Where applicable:

All appliances use energy, and energy usage typically generates carbon emissions. **Fisher & Paykel Appliances' In-use Energy Carbon Emissions Estimate** indicates carbon emissions from a product's in-use energy. This is calculated either annually or per cycle, using the product's market-specific energy label energy consumption data multiplied by the carbon emissions factor for energy in your country or region.

Our In-use Energy Carbon Emissions Estimate is designed to assist customers in making informed purchasing decisions when comparing different Fisher & Paykel products. For example, a heat pump dryer typically has a lower In-use Energy Carbon Emissions Estimate than a vented dryer.

Performance

Other product downloads available at fisherpaykel.com



Service & Warranty



User Guide Wall Oven



Installation Guide Built-In Oven



Data Sheet Oven



A PEACE OF MIND SALE

24 Hours 7 Days a Week Customer Support

T 0800 372 273 [Wwww.fisherpaykel.com](http://www.fisherpaykel.com)