

Freestanding French Door Refrigerator Freezer, 90cm, 614L, Ice & Water

Series 7 | Contemporary

Black Stainless Steel | French hinge

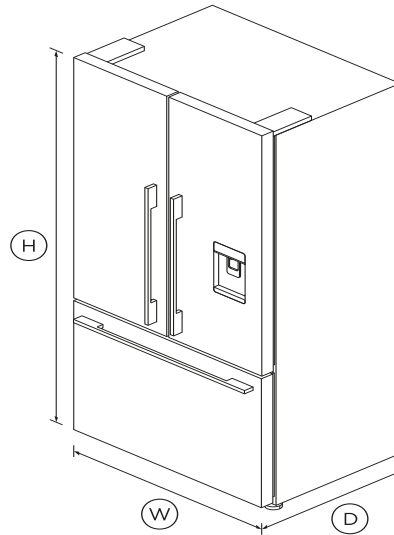


Our largest capacity French Door model has intuitive, flexible storage space in a striking black stainless steel finish.

- ActiveSmart™ technology helps keep food fresher for longer by constantly maintaining the ideal temperature.
- Spacious bottom freezer with full extension drawer gives easy access to frozen goods

DIMENSIONS

Height	1790 mm
Width	900 mm
Depth	695 mm



FEATURES & BENEFITS

ActiveSmart™ Foodcare

ActiveSmart™ Foodcare learns how you live. It's technology which understands how you use your refrigerator and adjusts temperature, airflow and humidity inside to help keep food fresher for longer.

Clever energy

Your refrigerator adapts to daily use by cooling and defrosting only when needed. This means it uses the energy it needs without compromising on food care.

Easy to clean

No more dirty marks with our EZKleen feature for stainless steel refrigerators. Anti-fingerprint coating lets you simply wipe clean any finger marks. Spill-safe secure glass shelves easily capture any drips or leaks.

Humidity control

Your fruit and veges need different environments. The humidity control slides in each storage bin create a microclimate that helps keep food fresher for longer.

Design quality

Our refrigerators are designed and built using the best quality materials. We use real stainless steel, and solid glass for the interior shelving.

Ice maker

Fresh ice is always available for you in a dedicated freezer bin. Simply turn it off to free up freezer space or, during busy times, boost ice production by up to 30%.

Simple storage

This refrigerator is designed to make it simple for you to store, access and remove food. Storage bins give you full access inside when they're pulled open and can be easily removed to clean. Our flexible shelving also gives you more storage options.

SPECIFICATIONS

Accessories (sold separately)

Replacement water filter	Part number 836848
--------------------------	--------------------

Capacity

Total gross capacity	614L
Total net volume	536L

Consumption

Energy rating	1 tick
Energy usage	661kWh/year

Width	900 mm
-------	--------



A PEACE OF MIND SALE

24 Hours 7 Days a Week Customer Support

T 0800 372 273 W www.fisherpaykel.com

Freezer features

Bottle chill	•
Built-in ice maker	•
Door alarm	•
Fast freeze	•
Freezer bins	2
Ice Boost	•
Ice bin and scoop	•
LED lighting	•
Large plastic bin	•

Refrigerator features

Adjustable door shelves	6
Adjustable glass shelves	2
Covered door shelves	2
Deli storage bins	1
Door alarm	•
Front levelling feet	•
Fruit and vegetable bins	2
Full extension drawers	•
Humidity control crispers	•
LED lighting	•
Rear rollers	•
SmartTouch control panel	•
Stackable bottle holders	4
Ultra slim water dispenser	•

Performance

ActiveSmart™ Foodcare	•
ActiveSmart™ technology	•
Adaptive defrost	•
Frost free	•
Frost free freezer	•
Inverter controlled compressor	•
R600a refrigerant	•

Warranty

Parts and labour	2 years
Sealed system parts only	5 years

Product dimensions

Depth	695 mm
Height	1790 mm
Height to top of cabinet	1790 mm
Minimum air clearance - at rear	30 mm
Minimum air clearance - each	20 mm
Minimum air clearance - on top	50 mm

SKU	25872
-----	-------

TEST The product dimensions and specifications in this page apply to the specific product and model. Under our policy of continuous improvement, these dimensions and specifications may change at any time. You should therefore check with Fisher & Paykel's Customer Care Centre to ensure this page correctly describes the model currently available. ? Fisher & Paykel Appliances Ltd 2020