

FISHER & PAYKEL

PRELIMINARY SPECIFICATION GUIDE

WALL RANGEHOOD



OVERVIEW

Designed to complete the Contemporary kitchen, these wall box chimney rangehoods are made from quality stainless steel and sleek black glass. With three fan speeds, plus a boost function, powerful extraction quickly removes odours and steam. Enjoy seamless operation with Wi-Fi enabled remote control.

MODELS

Wall Rangehood, 60cm, Box Chimney, Black Stainless Steel
HC90DCBB4

SERIES & STYLE

Series 7
Contemporary Style

FEATURES

- ① Sleek black glass finish with stainless steel black frame
- ② Wi-Fi enabled for remote control and notifications through the SmartHQ™ app.
- ③ Edge-to-edge extraction
- ④ 9-Watt LED lightstrip
- ⑤ Intuitive touch controls
- ⑥ Three fan speeds plus boost
- ⑦ Auto off timer function
- ⑧ Dishwasher-safe aluminium filters
- ⑨ 150mm diameter duct
- ⑩ Recirculation options available

ACCESSORIES

- ① Chimney Extension
- ② Aluminium Filter

FISHER & PAYKEL

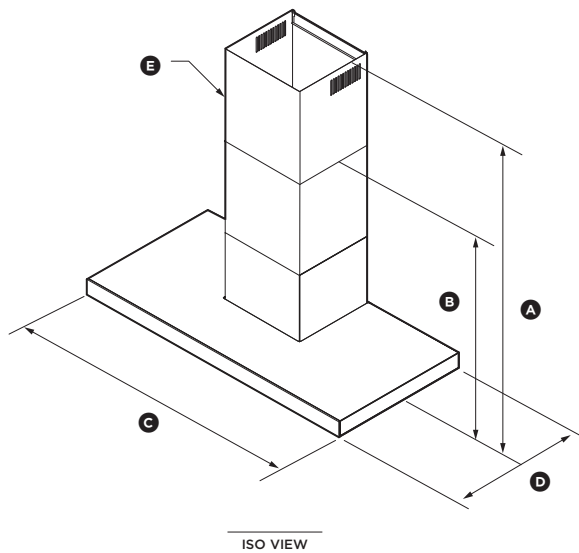
PRELIMINARY SPECIFICATION GUIDE

WALL RANGEHOOD, 90CM

SPECIFICATIONS

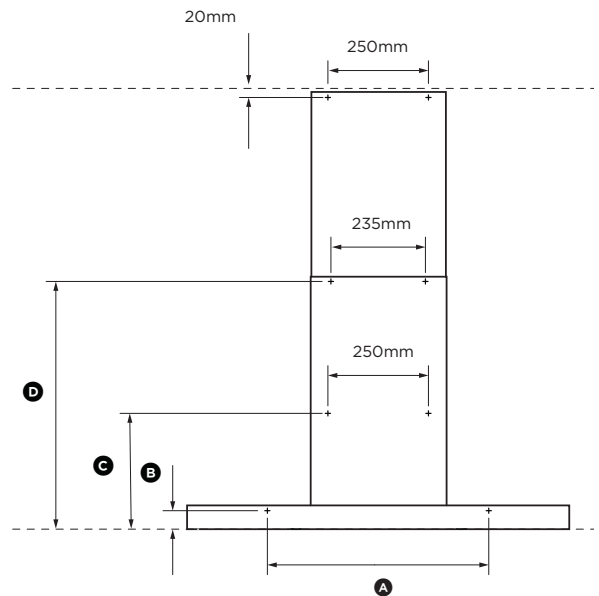
Model No.	HC90DCBB4 (Airflow 780m ³ /hr)
Dimensions	H 635 - 1035mm x W 898mm x D 500mm
Minimum distance above cooktops	Consult the cooktop installation guide for details of the required installation height of the rangehood
Electrical	
Supply	230 V, 50 Hz
Outlet	3 pin plug
Light source	
Type	9-Watt LED lightstrip

PRODUCT DIMENSIONS



		mm
(A)	Maximum overall height of rangehood	1035
(B)	Minimum overall height of rangehood	635
(C)	Overall width of rangehood	898
(D)	Overall depth of rangehood	500
(E)	Diameter of ducting outlet	150

ATTACHMENT DIMENSIONS



		mm
(A)	Lower rangehood attachment point width	580
(B)	Lower rangehood attachment point height	36
(C)	Upper rangehood attachment point height	286
(D)	Chimney bracket attachment point height	559