

# FISHER & PAYKEL

## PRELIMINARY SPECIFICATION GUIDE

## WALL COOKER HOOD



### OVERVIEW

Designed to complete the Contemporary kitchen, these wall box chimney cooker hoods are made from quality stainless steel and sleek black glass. With four fan speeds, plus a boost function, powerful extraction quickly removes odours and steam. Enjoy seamless operation with Wi-Fi enabled remote control.

### MODELS

Wall Cooker Hood, 60cm, Box Chimney, Black Stainless Steel HC90BCBB4

### SERIES & STYLE

Series 7  
Contemporary Style

### FEATURES

- ① Sleek black glass finish with stainless steel black frame
- ② Wi-Fi enabled for remote control and notifications through the SmartHQ™ app.
- ③ Edge-to-edge extraction
- ④ 9-Watt LED lightstrip
- ⑤ Intuitive touch controls
- ⑥ Four fan speeds plus boost
- ⑦ Auto off timer function
- ⑧ Dishwasher-safe aluminium filters
- ⑨ 150mm diameter duct
- ⑩ Recirculation options available

### ACCESSORIES

- ① Chimney Extension
- ② Aluminium Filter
- ③ Recirculation Diverter

# FISHER & PAYKEL

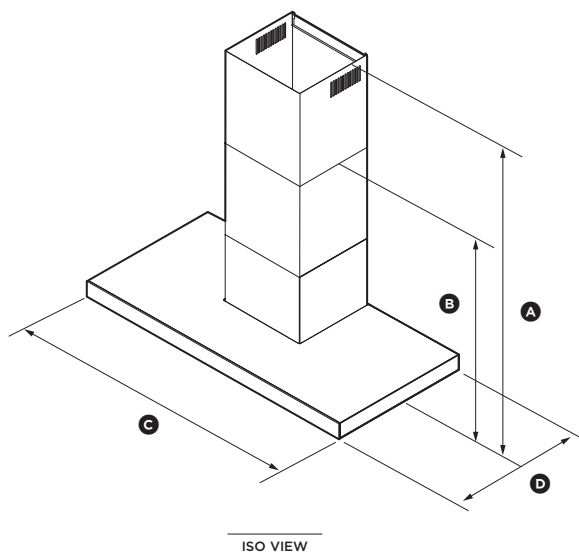
## PRELIMINARY SPECIFICATION GUIDE

## WALL COOKER HOOD, 90CM

### SPECIFICATIONS

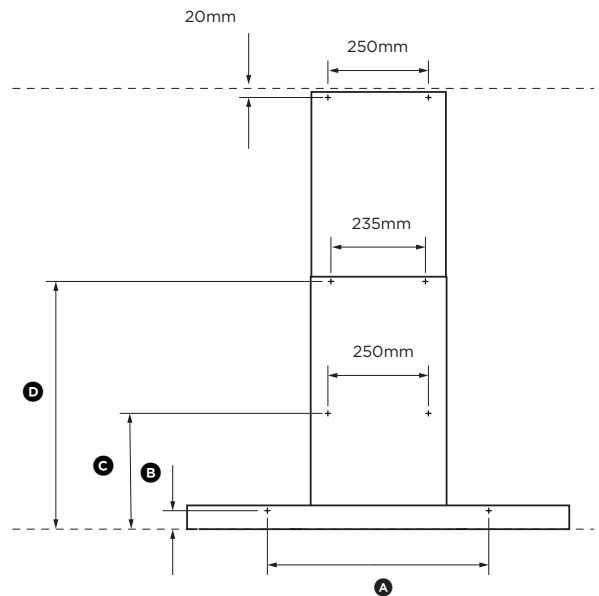
<b>Model No.</b>	HC90BCBB4 (Airflow 780m <sup>3</sup> /hr)
<b>Dimensions</b>	H 635 - 1035mm x W 898mm x D 500mm
<b>Minimum distance above cooktops</b>	Consult the cooktop installation guide for details of the required installation height of the cooker hood
<b>Electrical</b>	
Supply	230 V, 50 Hz
Outlet	3 pin plug
<b>Light source</b>	
Type	9-Watt bi-colour LED lightstrip

### PRODUCT DIMENSIONS



		mm
(A)	Maximum overall height of cooker hood	1035
(B)	Minimum overall height of cooker hood	635
(C)	Overall width of cooker hood	898
(D)	Overall depth of cooker hood	500
	Diameter of ducting outlet	150

### ATTACHMENT DIMENSIONS



		mm
(A)	Lower cooker hood attachment point width	580
(B)	Lower cooker hood attachment point height	36
(C)	Upper cooker hood attachment point height	286
(D)	Chimney bracket attachment point height	559