

FISHER & PAYKEL


BUILT-IN OVEN

OB60NC, OB60SC & OB60SD
models

INSTALLATION GUIDE

NZ AU GB IE SG

590777F 1.25

⚠ WARNING!	
	<p>Electrical shock hazard Before carrying out any work on the electrical section of the appliance, it must be disconnected from the mains electricity supply. Connection to a good earth wiring system is absolutely essential and mandatory. Alterations to the domestic wiring system must only be made by a qualified electrician. Failure to follow this advice may result in electrical shock or death.</p>

⚠ WARNING!	
	<p>Fire hazard Do not use adapters, reducers, or branching devices to connect this appliance to the mains power supply. Failure to follow this advice may result in overheating, burning, or fire.</p>

⚠ WARNING!	
	<p>Hot Surface Hazard Take care - panel edges are sharp. Failure to use caution could result in injury or cuts.</p>

IMPORTANT SAFETY INSTRUCTIONS

- To avoid hazard, follow these instructions carefully before installing or using this appliance.
- Please make this information available to the person installing the appliance - doing so could reduce your installation costs.
- This appliance must be installed and connected to the mains power supply only by a suitably qualified person according to these installation instructions and in compliance with any applicable local building and electricity regulations. Failure to install the appliance correctly could invalidate any warranty or liability claims.
- If the power supply cable is damaged, it must be replaced by the manufacturer, its service agent or similarly qualified person in order to avoid a hazard.
- Isolating switch: make sure this oven is connected to a circuit which incorporates an isolating switch providing full disconnection from the power supply in accordance with the wiring rules.
- The oven must be earthed.
- Do not use adaptors, reducers or branching devices to connect the oven to the mains electricity supply, as they can cause overheating and burning.
- The appliance must not be installed behind a decorative door in order to avoid overheating.

IMPORTANT! SAVE THESE INSTRUCTIONS

The models shown in this installation guide may not be available in all markets and are subject to change at any time. For current details about model and specification availability in your country, please go to our website www.fisherpaykel.com or contact your local Fisher & Paykel dealer.

② PARTS SUPPLIED



Screws (2)



Metal side shelves
fixing nut (2)

③ PRIOR TO INSTALLATION

the benchtop and oven cavity are square and level, and are the required dimensions.

the installation will comply with all clearance requirements and applicable standards and regulations.

a suitable isolating switch providing full disconnection from the mains power supply is incorporated in the permanent wiring, mounted and positioned to comply with the local wiring rules and regulations. The isolating switch must be of an approved type and provide a 3 mm air gap contact separation in all poles (or in all active [phase] conductors if the local wiring rules allow for this variation of the requirements).

the isolating switch will be easily accessible to the customer with the oven installed.

there is at least 1.5 m (and not more than 2 m) free length of power supply cable within the cavity for ease of installation and servicing.

the oven connection socket (if fitted) is outside the cavity if the oven is flush to the rear wall.

the oven will rest on a surface that can support its weight.

the height from the floor suits the customer.

you consult local building authorities and by-laws if in doubt regarding installation.

Lower trim kit (for compact models only)

compact models can be installed with a lower trim kit accessory to align the oven with companion products and cabinetry. If installing the lower trim kit accessory, ensure that this is installed before the appliance.

IMPORTANT!

Some environmental factors and cooking habits can cause condensation in and around the oven during use. To protect surrounding cabinetry from possible damage caused by frequent or excessive condensation, we recommend moisture-proofing the oven cavity.

④ AFTER INSTALLATION

IMPORTANT!

Please take extra care not to damage the lower trim of the oven during installation. The trim is important for correct air circulation and allows the door to open and close without obstruction. The manufacturer does not accept any responsibility for damage resulting from incorrect installation.

the oven door can open fully without obstruction.

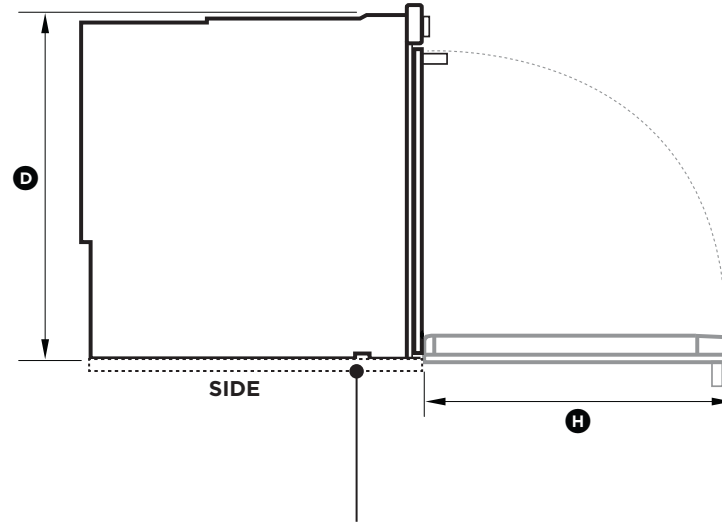
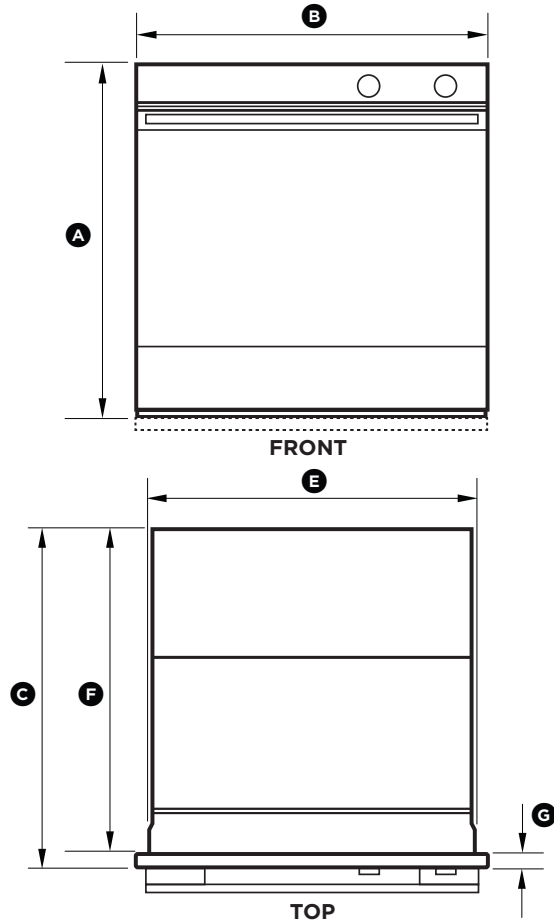
the power supply cable does not touch any hot metal parts.

the isolating switch is easily accessible to the customer with the oven installed.

you complete the 'Final checklist' at the end of the installation.

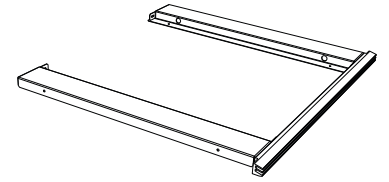
If, after following the instructions given, correct performance cannot be achieved, please contact your nearest Fisher & Paykel Authorised Service Centre, Customer Care, or contact us through our local website listed at the end of this document.

5 PRODUCT DIMENSIONS



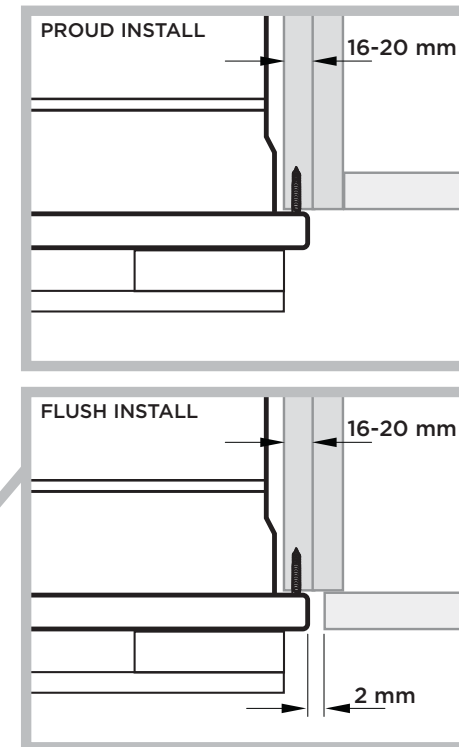
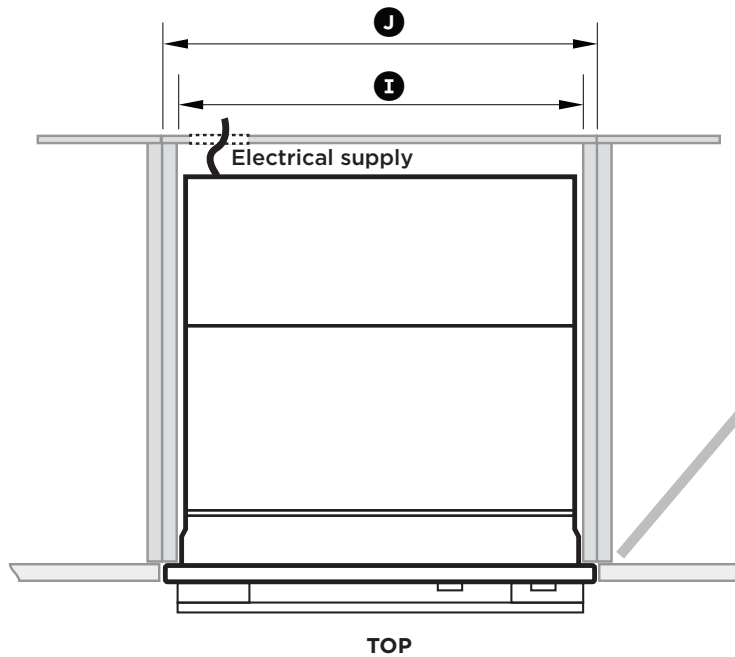
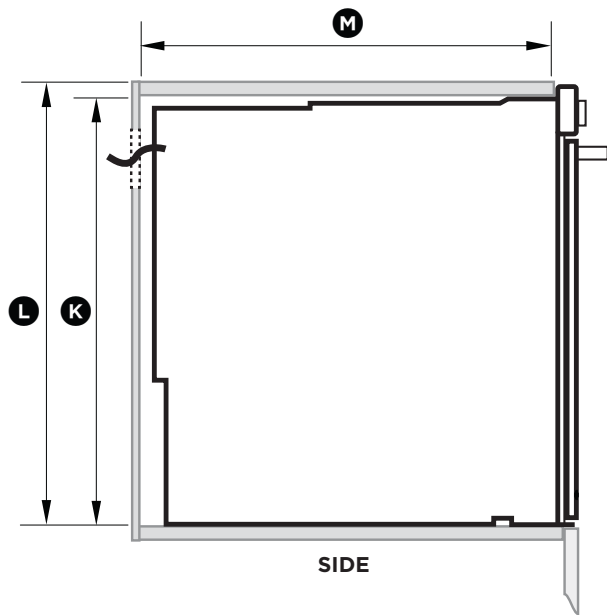
Optional Lower trim kit shown (for compact models only)
(optional accessory. Purchased separately: Part no. 85083)

If using the lower trim kit accessory, you will need to install this BEFORE installing the appliance. Refer to the instructions packed with the lower trim kit.



PRODUCT DIMENSIONS	OB60NC MODELS	OB60SC MODELS	OB60SD MODELS
	MM	MM	MM
(A) Overall height of product	458	598	598
(B) Overall width of product	597	597	596
(C) Overall depth of product (excluding handle and dials)	565	565	565
(D) Height of chassis	435	575	575
(E) Width of chassis	552	552	556
(F) Depth of chassis	545	545	545
(G) Depth of oven frame and control panel (=distance between front of chassis and front of oven door, excl. knobs)	20	20	20
(H) Depth of oven door when fully open (measured from front of control panel)	340	450	460

⑤ CABINETY DIMENSIONS



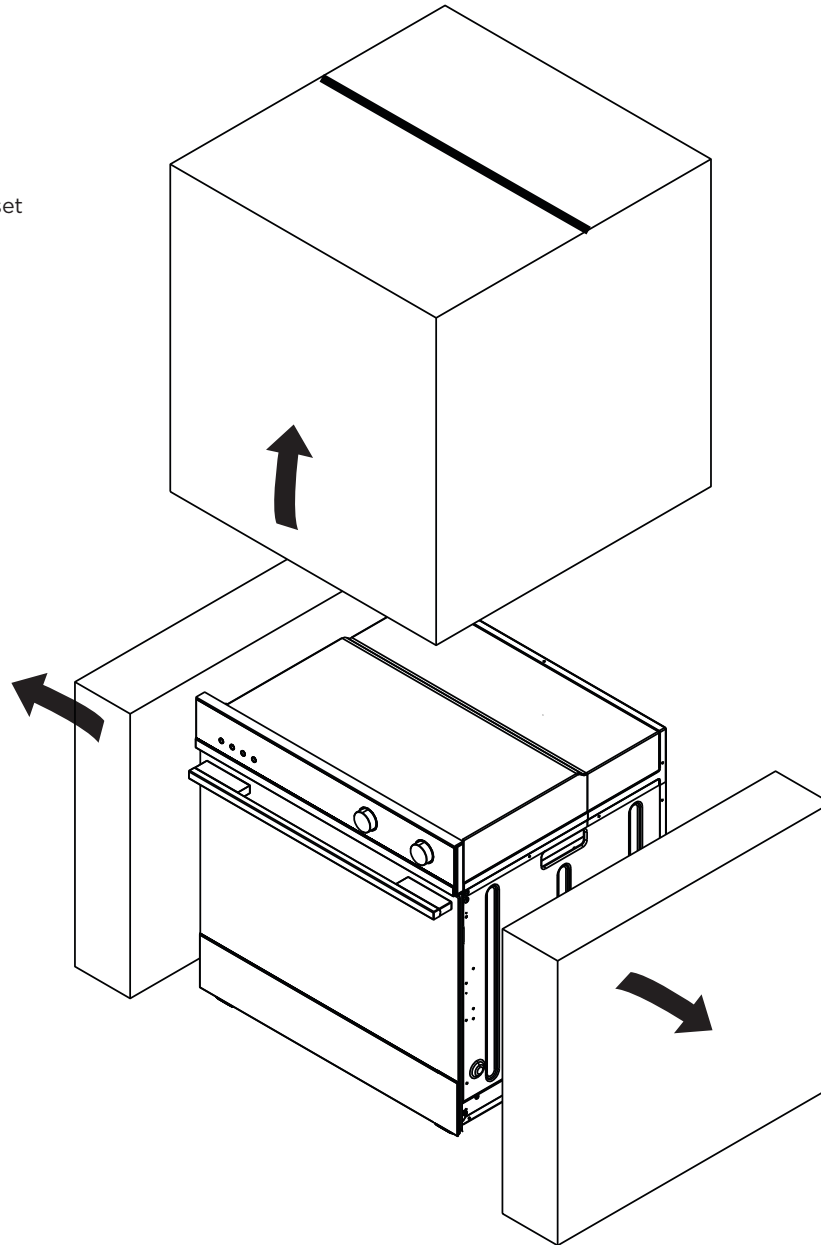
CABINETY DIMENSIONS	OB60NC MODELS	OB60SC MODELS	OB60SD MODELS
	MM	MM	MM
① Minimum inside width of cavity	560	560	560
② Overall width of cabinetry	600	600	600
③ Minimum inside height of cavity	440 (with lower trim kit fitted) 461	580	580
④ Overall height of cabinetry	460 (with lower trim kit fitted) 481	600	600
⑤ Minimum inside depth of cavity	550	550	550

Note: If installing a cooktop above the oven, ensure adequate clearance is provided for the cooktop as per the cooktop manufacturer's instructions.

⑥ DISCARD PACKAGING RESPONSIBLY

Oven may vary

Remove the accessories box from the top of the oven and set aside.



Recycle responsibly

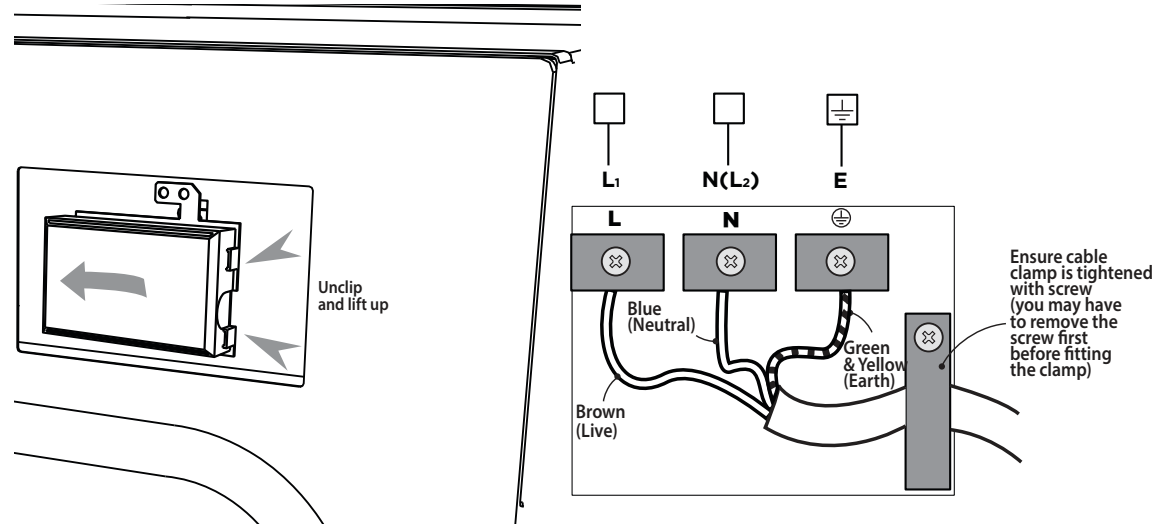
7 CONNECT THE OVEN TO THE MAINS SUPPLY

IMPORTANT!

This oven must be connected to the mains power supply only by a suitably qualified person.

This oven must be earthed.

MODEL CODE	MAX POWER (W)	HZ	VOLTAGE (V)	AMPS (A)
OB60NC*	2800 - 3300	50 Hz	220 - 240 V-	12.8 - 13.8
OB60SD*				
OB60SC*P*				
OB60SC9D*				
OB60SC*L*	2700 - 3200	50 Hz	220 - 240 V-	12.3 - 13.3
OB60SCVM*				
OB60SC*CEX				
OB60SC*CEW				



Before connecting the oven to the mains power supply, check that:
 the domestic wiring system is suitable for the power drawn by the oven
 (as specified on the rating plate)
 the voltage corresponds to the value given on the rating plate.

8 SECURE THE OVEN TO THE CABINTRY

- 1 Position the oven in the prepared cavity.

IMPORTANT!

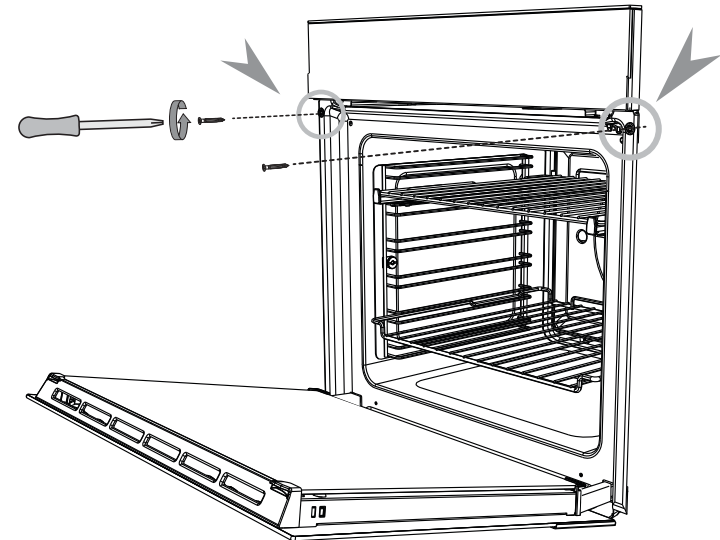
Do not lift the oven by the door handle.

- 2 Open the oven door fully.
- 3 Mark and pre-drill the screw holes.
- 4 Use the supplied screws to secure the oven to the cabinetry.

IMPORTANT!

Do not over-tighten the screws.

Do not seal the oven into the cabinetry with silicone or glue. This makes future servicing difficult. Fisher & Paykel will not cover the costs of removing the oven, or of damage caused by this removal.



Oven may vary

9 FINAL CHECKLIST

✓ TO BE COMPLETED BY THE INSTALLER

- Make sure the oven is level and securely fitted to the cabinetry.
- Check the lower trim is undamaged.
- Open the oven door slowly until it is fully open and check there is adequate clearance between the bottom of the door and the lower trim. This is to ensure correct air circulation. Should the lower trim become damaged, straighten the trim and ensure the oven door opens fully without obstruction.
- Make sure you remove all internal packaging (including the circular yellow packing retainers holding the accessory box in place).
- Make sure all oven vents and openings are clear and free of any obstruction or damage.

IMPORTANT!

Failure to make sure all oven vents are clear may result in poor product performance.

- Make sure the isolating switch is accessible by the customer.

TEST OPERATION:

- Turn the power to the oven on. For all models, except OB60SC5LCX, the display should light up and show 0:00. Set the clock following the instructions in the 'Quickstart Guide' or 'User guide'.
- Turn the oven function to 'Bake'. Inside the oven cavity, the oven light should come on. Air should blow out of the vent at the top of the oven. Have you demonstrated the basic operation to the customer?
- Turn the temperature to 50°C. The temperature indicator should come on. After five minutes, open the oven door: the air inside should feel warm. Turn the oven function dial back to OFF.

Complete and keep for safe reference:

Model _____

Serial No. _____

Purchase Date _____

Purchaser _____

Dealer Address _____

Installer's Name _____

Installer's Signature _____

Installation Company _____

Installation Date _____

FISHERPAYKEL.COM

© Fisher & Paykel Appliances 2018. All rights reserved.
The product specifications in this booklet apply to the specific products and models described at the date of issue. Under our policy of continuous product improvement, these specifications may change at any time. You should therefore check with your Dealer to ensure this booklet correctly describes the product currently available.

NZ AU GB IE SG

590777F 1.25