

FISHER & PAYKEL

48" PROFESSIONAL
RANGES & BACKGUARDS

RHV3-484, RDV3-485GD, RDV3-488,
BGRV2-1248, BGRV2-3048, BGRV3-3048H models

PLANNING GUIDE



OVERVIEW

Choose the best of our best to grace your kitchen design with the Dual Fuel Range, 48", with hybrid induction and gas rangetop. This range offers an intuitive, high-resolution touch display, generous capacity from two electronic ovens and comprehensive cooking functions to deliver perfect results on the biggest meals. A stunning combination of cooking flexibility, power and style.

PRODUCTS

RHV3-484-N

Dual Fuel Range, 48", 4 Burners, 4 Zones

RHV3-484-L

Dual Fuel Range, 48", 4 Burners, 4 Zones, LPG

SERIES & STYLE

Series 9
Professional

FEATURES

- ① Stainless steel
- ② High-resolution, user-friendly touch display
- ③ Metal illuminated dials with dual stack oven control
- ④ Perfect results from 15 oven functions
- ⑤ Guided cooking by food type and recipes
- ⑥ 4.8 cu ft-capacity main oven and 2.1 cu ft-capacity secondary oven
- ⑦ Self-cleaning main oven with pyrolytic ladders
- ⑧ Precise temperature control with 9 induction heat settings
- ⑨ Sealed Dual Flow Burners™
- ⑩ Dishwasher-proof, cast-iron trivets



ACCESSORIES

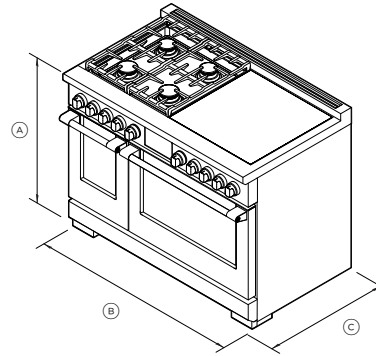
- ① Food probe
- ② Broil pan
- ③ Broil rack
- ④ Full-extension telescopic racks

The models shown in this Planning Guide may not be available in all markets and are subject to change at any time. Product specifications may vary from those shown. This Planning Guide should not be used as installation guidance for any product. Further information is required to safely and correctly install the products featured here. Specific installation guidance will be available on our website fisherpaykel.com

SPECIFICATIONS

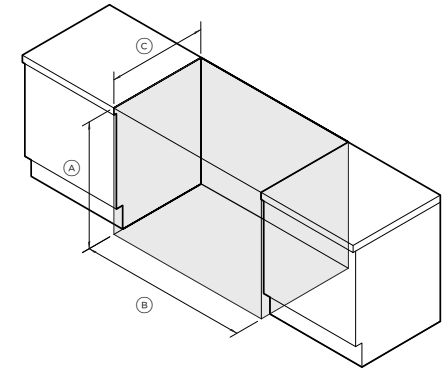
Model No.	RHV3-484-N, RHV3-484-L
Product Dimensions	H 35 3/4" - 36 3/4" (908-933mm) W 47 7/8" (1216) D 29 1/8" (740mm)
Weight	640lb (290kg)
Total oven capacity	
Main	4.8cu ft (136L)
Secondary	2.1cu ft (59L)
Door Clearance	19 1/8" (486mm)
Gas	
Type	Natural Gas 6" to 9" W.C. LP Propane 11" to 14" W.C.
Connection	1/2" NPT Minimum 5/8" dia. flex line
Electrical	
Supply	120/240 V, 60 Hz
Service	50 A
Connection	4-prong grounding type (NEMA 14-50 plug)

PRODUCT DIMENSIONS



	mm	Inch
A Overall height (from floor to cooktop, excl. grates and vent trim)	min 908 max 933	min 35 3/4 max 36 3/4
B Overall width	1216	47 7/8
C Depth from front of range to rear (incl. vent trim, excl. dials and handle)	740	29 1/8

CAVITY DIMENSIONS: STANDARD INSTALLATION



	mm	Inch
A Overall height of cavity*		
• for level counter	908	35 3/4
• with range levelling legs fully extended	933	36 3/4
B Overall width of cavity	1219	48
C Maximum depth of cavity		
• projecting control panel	638	25 1/8
• flush control panel	703	27 11/16

*Depending on height of range

The models shown in this Planning Guide may not be available in all markets and are subject to change at any time. Product specifications may vary from those shown. This Planning Guide should not be used as installation guidance for any product. Further information is required to safely and correctly install the products featured here. Specific installation guidance will be available on our website fisherpaykel.com



OVERVIEW

Create a beautiful centrepiece for your kitchen design with the Dual Fuel Range, 48". This range offers an intuitive, high-resolution touch display, generous capacity from two electronic ovens and comprehensive cooking functions to deliver perfect results on the biggest meals. Power and style in pure harmony.

PRODUCTS

RDV3-488-N

Dual Fuel Range, 48", 8 Burners

RDV3-488-L

Dual Fuel Range, 48", 8 Burners, LPG

RDV3-485GD-N

Dual Fuel Range, 48", 5 Burners with Griddle

RDV3-485GD-L

Dual Fuel Range, 48", 5 Burners with Griddle, LPG

SERIES & STYLE

Series 9

Professional

FEATURES

- ① Stainless steel
- ② High-resolution, user-friendly touch display
- ③ Metal illuminated dials with dual stack oven control
- ④ Perfect results from 15 oven functions
- ⑤ Guided cooking by food type and recipes
- ⑥ 4.8 cu ft-capacity main oven and 2.1 cu ft-capacity secondary oven
- ⑦ Self-cleaning main oven with pyrolytic ladders
- ⑧ Sealed Dual Flow Burners™
- ⑨ Dishwasher-proof, cast-iron trivets
- ⑩ Griddle model available

ACCESSORIES

- ① Food probe
- ② Broil pan
- ③ Broil rack
- ④ Full-extension telescopic racks
- ⑤ Griddle cover (selected models only)

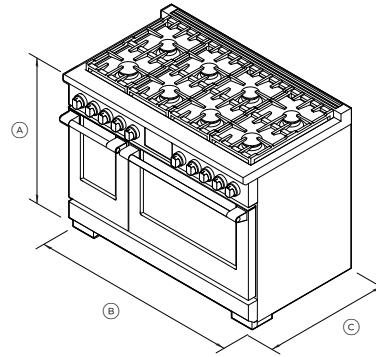


The models shown in this Planning Guide may not be available in all markets and are subject to change at any time. Product specifications may vary from those shown. This Planning Guide should not be used as installation guidance for any product. Further information is required to safely and correctly install the products featured here. Specific installation guidance will be available on our website fisherpaykel.com

SPECIFICATIONS

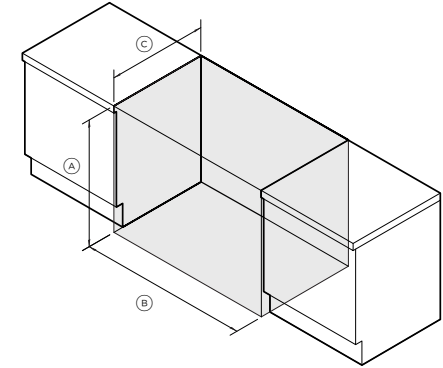
Model No.	RDV3-488-N, RDV3-488-L, RDV3-485GD-N, RDV3-485GD-L
Product Dimensions	H 35 3/4" - 36 3/4" (908-933mm) W 47 7/8" (1216) D 29 1/8" (740mm)
Weight	640lb (290kg)
Total oven capacity	
Main	4.8cu ft (136L)
Secondary	2.1cu ft (59L)
Door Clearance	19 1/8" (486mm)
Gas	
Type	Natural Gas 6" to 9" W.C. LP Propane 11" to 14" W.C.
Connection	1/2" NPT Minimum 5/8" dia. flex line
Electrical	
Supply	120/240 V, 60 Hz
Service	50 A
Connection	4-prong grounding type (NEMA 14-50 plug)

PRODUCT DIMENSIONS



	mm	Inch
A Overall height (from floor to cooktop, excl. grates and vent trim)	min 908 max 933	min 35 3/4 max 36 3/4
B Overall width	1216	47 7/8
C Overall depth (excl. handles and dials)	740	29 1/8

CAVITY DIMENSIONS: STANDARD INSTALLATION



	mm	Inch
A Overall height of cavity*		
• for level counter	908	35 3/4
• with range levelling legs fully extended	933	36 3/4
B Overall width of cavity	1219	48
C Maximum depth of cavity		
• projecting control panel	638	25 1/8
• flush control panel	703	27 11/16

*Depending on height of range

The models shown in this Planning Guide may not be available in all markets and are subject to change at any time. Product specifications may vary from those shown. This Planning Guide should not be used as installation guidance for any product. Further information is required to safely and correctly install the products featured here. Specific installation guidance will be available on our website fisherpaykel.com

CONTENTS

	PAGE	
	in	mm
<hr/>		
48" Professional Range		
RHV3-484, RDV3-485GD, RDV3-488		
Key Design Decisions	5	20
Ventilation Requirements	6	21
<hr/>		
48" Professional Range		
RHV3-484-N, RHV3-484-L		
Product & Cavity Dimensions	7	22
Clearance Dimensions	8	23
Cavity Preparation	9	24
<hr/>		
48" Professional Range		
RDV3-485GD-N, RDV3-485GD-L		
Product & Cavity Dimensions	10	25
Clearance Dimensions	11	26
Cavity Preparation	12	27
<hr/>		
48" Professional Range		
RDV3-488-N, RDV3-488-L		
Product & Cavity Dimensions	13	28
Clearance Dimensions	14	29
Cavity Preparation	15	30
<hr/>		

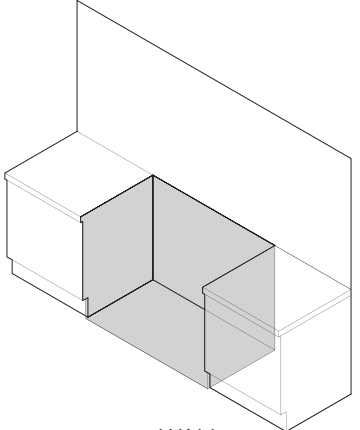
FISHER & PAYKEL

KEY DESIGN DECISIONS 48" Professional Range

Model no:
RHV3-484, RDV3-486GD, RDV3-488

1

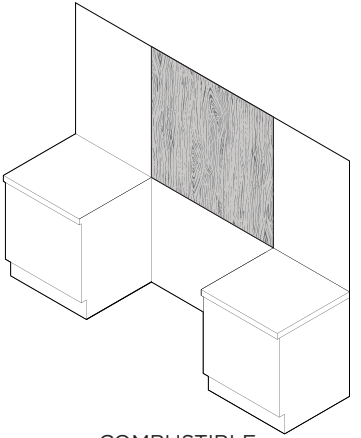
INSTALL TYPE



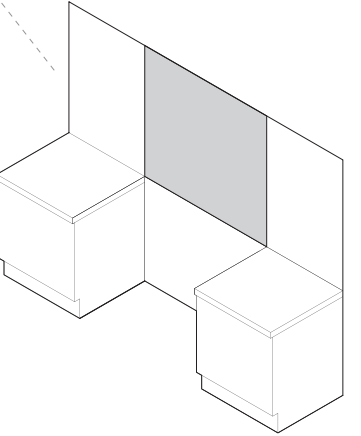
WALL

2

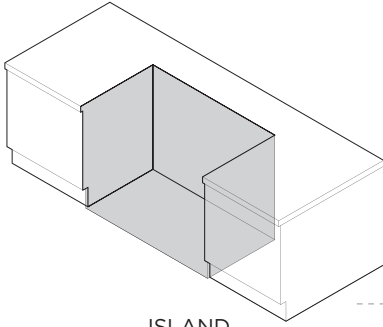
REAR SURFACE



COMBUSTIBLE



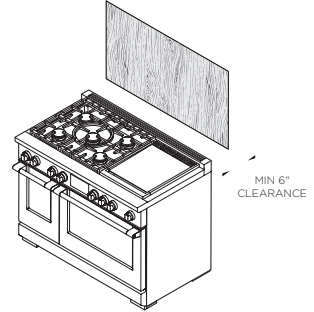
NON COMBUSTIBLE



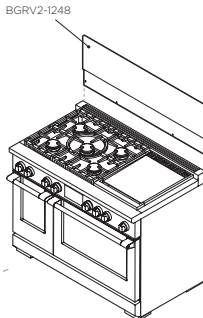
ISLAND

3

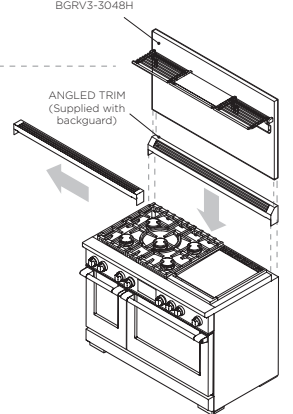
BACKGUARD OPTIONS



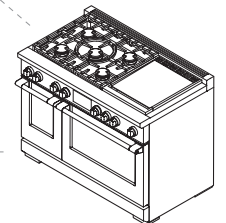
NO BACKGUARD



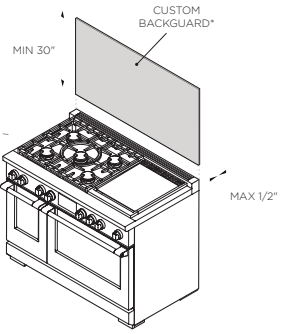
LOW THIN BACKGUARD



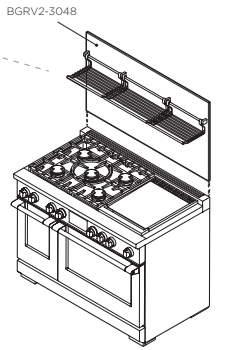
HIGH THICK BACKGUARD WITH ANGLED TRIM



NO BACKGUARD



CUSTOM FABRICATED* BACKGUARD
*Fabricated from non combustible materials only



HIGH THIN BACKGUARD

DATE: **20.06.2024**

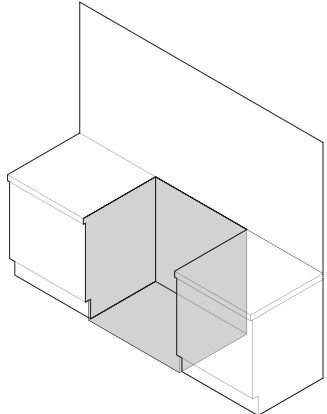
IMPORTANT: Throughout this guide, dimensions may vary by ±2mm (1/16"). Read the installation guide for detailed information on installing the product. For full installation instructions and specifications visit fisherpaykel.com

FISHER & PAYKEL

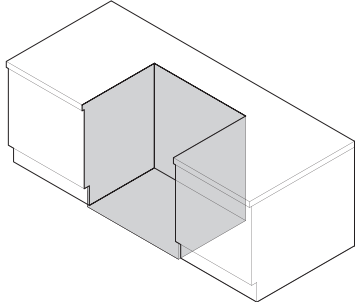
VENTILATION REQUIREMENTS 48" Professional Range

1

INSTALL TYPE



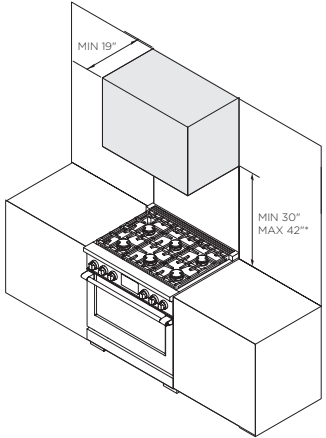
WALL



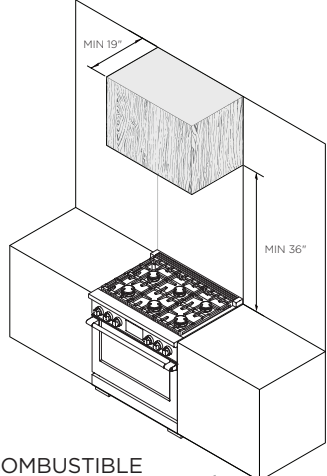
ISLAND

2

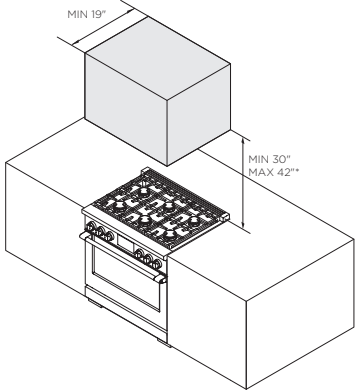
HOOD SURROUND MATERIAL



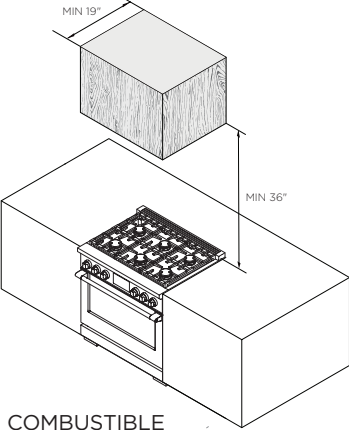
NON COMBUSTIBLE



COMBUSTIBLE



NON COMBUSTIBLE



COMBUSTIBLE

Model no:
RHV3-484, RDV3-486GD, RDV3-488
Note: RGV3-366 illustrated but all dimensions apply to the above models

Specifications	
Ventilation Unit	Wall Installation
Hood	Minimum 19" Deep x Unit Width
Blower	Minimum 1100 CFM
Island Installation	
Hood	Minimum 19" Deep x Unit Width
Blower	Minimum 1100 CFM

Note: A suitable hood must be installed above the range. The above indicates the minimum blower capacity recommended for hood ventilation.

*Recommended maximum.

DATE: **20.06.2024**

IMPORTANT: Throughout this guide, dimensions may vary by ±2mm (1/16"). Read the installation guide for detailed information on installing the product. For full installation instructions and specifications visit fisherpaykel.com

FISHER & PAYKEL

PRODUCT & CAVITY DIMENSIONS 48" Professional Range - Dual Fuel/Induction

Model no:
RHV3-484

Product Dimensions	in
Ⓐ Height of range (from floor to cooktop, excluding grates and rear trim)	min 35 3/4" max 36 3/4"
Ⓑ Overall width of range	47 7/8"
Ⓒ Overall depth of range (excluding handle and dials)	29 1/8"
Ⓓ Depth from rear of chassis to cabinetry face - projecting	25 3/8"
Ⓔ Depth from rear of chassis to cabinetry face - flush	27 11/16"
Ⓕ Height from countertop to top of pan supports	1 9/16"
Ⓖ Height of rear trim	1 3/4"
Ⓗ Depth of rear trim	2 7/8"
Ⓙ Height from countertop to bottom of control panel	7 3/4"
Ⓚ Height from countertop to top of door	8 1/8"
Ⓛ Height from countertop to centre of handle	9 7/16"
Ⓜ Height from countertop to bottom of door	29"
Ⓝ Height from countertop to top of lower panel	29 15/16"
Ⓟ Height from countertop to bottom of lower panel	33 5/8"
Ⓞ Thickness of handle (not including standoffs)	1 1/4"
Ⓠ Width of handle (including standoffs) - right	31"
- left	14 15/16"
Ⓡ Depth of handle (measured from front of door)	2 7/8"
Ⓢ Depth of front of cooktop to control panel	1 7/16"
Ⓣ Height of cooktop front face	1 3/8"
Ⓤ Height from top of cooktop to control panel	2"
Ⓡ Depth of open door to cabinetry face - flush	19 1/8"
Ⓡ Adjustable feet height	min 1/2" max 1 1/2"

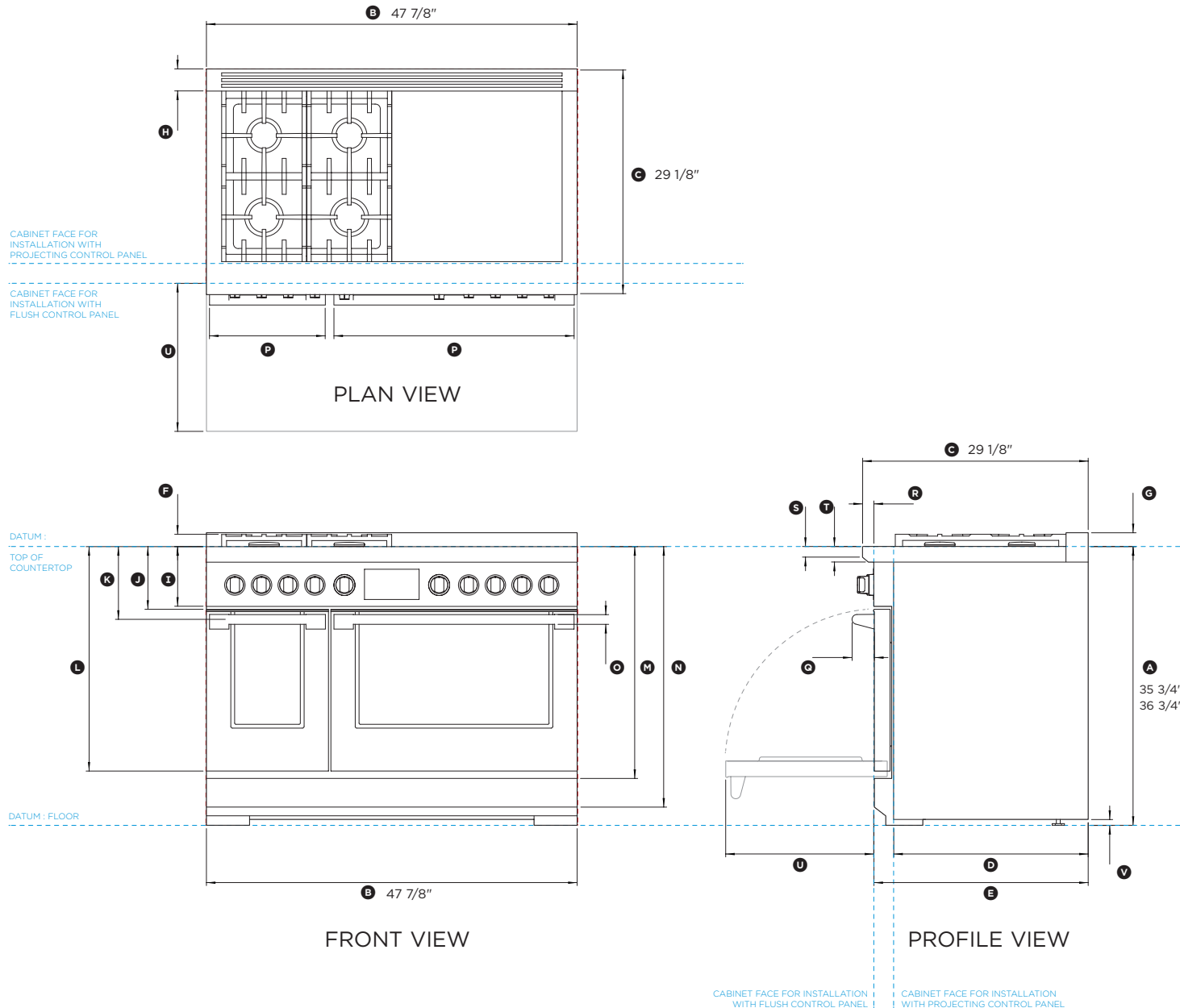
Cavity Dimensions	mm
Overall width of cavity	min 48"
Overall depth of cavity for projecting control panel	max 25 3/8"
Overall depth of cavity for flush control panel	max 27 11/16"
Maximum height of from floor to countertop	35 3/4" 36 3/4"

IMPORTANT NOTE: For full installation and clearance details please refer to our installation manual.

INDICATES PRODUCT DATUM -----

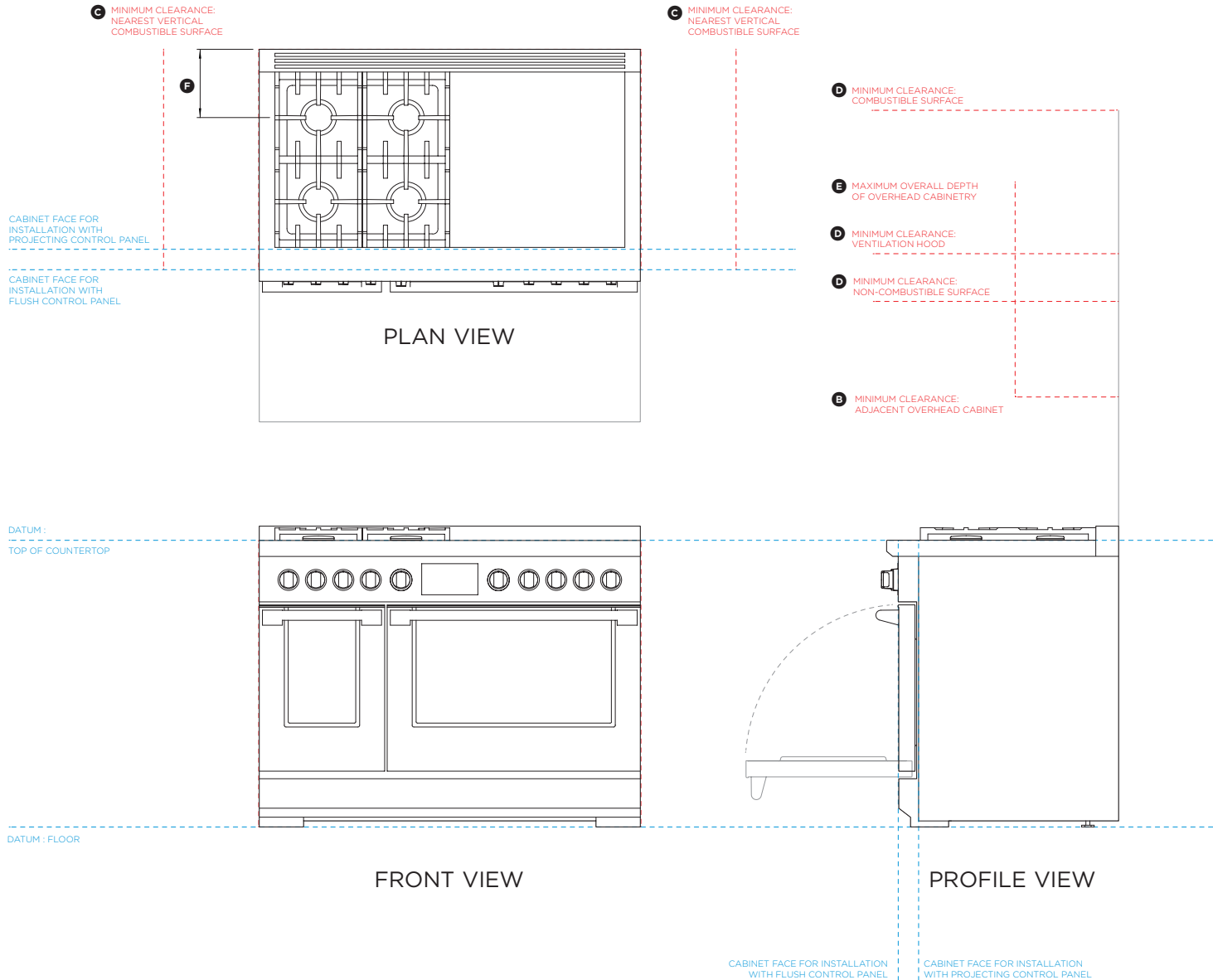
DATE: **20.06.2024**

IMPORTANT: Throughout this guide, dimensions may vary by ±2mm (1/16"). Read the installation guide for detailed information on installing the product. For full installation instructions and specifications visit fisherpaykel.com



FISHER & PAYKEL

CLEARANCE DIMENSIONS 48" Professional Range - Dual Fuel/Induction



Model no:
RHV3-484

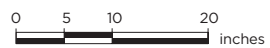
Clearance Dimensions	in
Ⓐ Minimum width of ventilation hood installed above range - not shown*	48"
Ⓑ Minimum vertical distance between countertop and cabinet extending above counter	18"
Ⓒ Minimum clearance from left and right of range to nearest vertical combustible surface	12"
Ⓓ Minimum clearance from cooking surface to: - combustible surface centered above the cooking surface - combustible covering for ventilation hood centered above the cooking surface - non-combustible surface** centered above the cooking surface	54" 36" 30"
Ⓔ Maximum overall depth of overhead cabinetry	13"
Ⓕ Distance from center of rear burner to rear of product	8 5/8"

*IMPORTANT NOTE: For full installation and clearance details please refer to our installation manual.

**Non-combustible surfaces: as defined in 'National Fuel Gas Code' (ANSI Z223.1, Current Edition). Clearances from non-combustible materials are not part of the ANSI Z21.1 scope and are not certified by UL. Clearances of less than 6" (152mm) must be approved by the local codes and/or by the local authority having jurisdiction.

DATE: **20.06.2024**

IMPORTANT: Throughout this guide, dimensions may vary by ±2mm (1/16"). Read the installation guide for detailed information on installing the product. For full installation instructions and specifications visit fisherpaykel.com

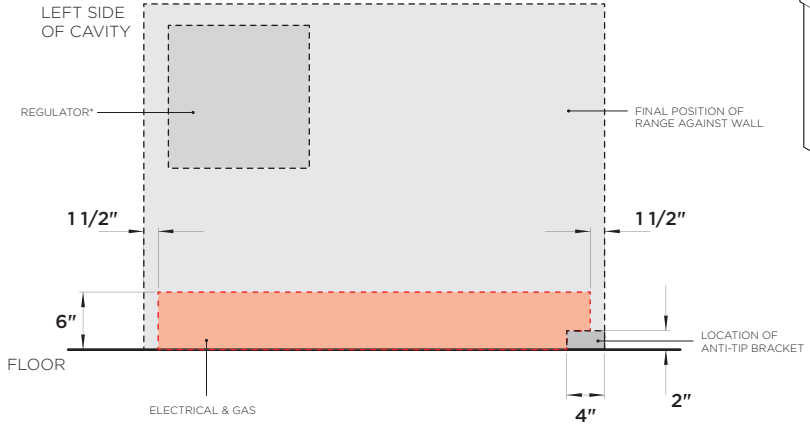


FISHER & PAYKEL

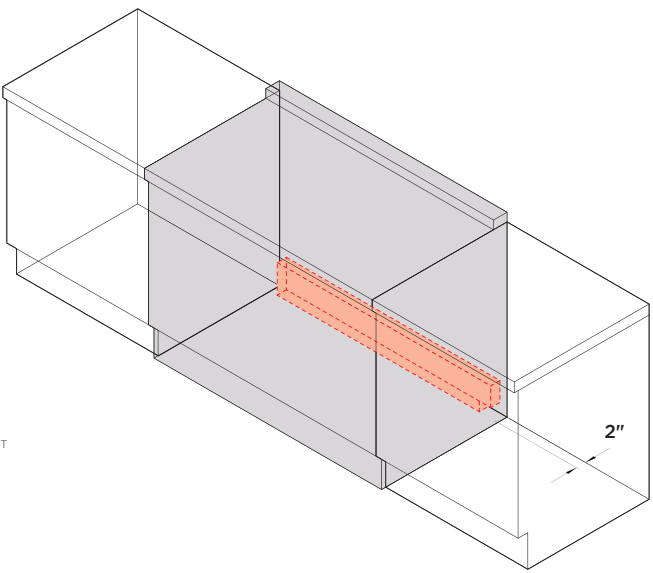
CAVITY PREPARATION 48" Professional Range - Dual Fuel/Induction

Model no:
RHV3-484

Specifications	
Oven Total Capacity	2.1 cu.ft. + 4.8 cu.ft
Electrical	
Supply	120/240 V, 60 Hz
Service	50 A
Connection	4-prong grounding type (NEMA 14-50P plug)
Gas	
Types	Natural Gas 6" to 9" W.C LP Propane 11" to 14" W.C
Connection	1/2" NPT Minimum 5/8" dia. flex line



REAR OF CAVITY



*Regulator location may vary depending on model.

IMPORTANT NOTE: For full installation and connection details please refer to our installation manual.

DATE: **20.06.2024**

IMPORTANT: Throughout this guide, dimensions may vary by ±2mm (1/16"). Read the installation guide for detailed information on installing the product. For full installation instructions and specifications visit fisherpaykel.com

FISHER & PAYKEL

PRODUCT & CAVITY DIMENSIONS 48" Professional Range - Dual Fuel

Model no:
RDV3-485GD

Product Dimensions	in
Ⓐ Height of range (from floor to cooktop, excluding grates and rear trim)	min 35 3/4" max 36 3/4"
Ⓑ Overall width of range	47 7/8"
Ⓒ Overall depth of range (excluding handle and dials)	29 1/8"
Ⓓ Depth from rear of chassis to cabinetry face - projecting	25 3/8"
Ⓔ Depth from rear of chassis to cabinetry face - flush	27 11/16"
Ⓕ Height from countertop to top of pan supports	1 9/16"
Ⓖ Height of rear trim	1 3/4"
Ⓗ Depth of rear trim	2 7/8"
Ⓙ Height from countertop to bottom of control panel	7 3/4"
Ⓚ Height from countertop to top of door	8 1/8"
Ⓛ Height from countertop to centre of handle	9 7/16"
Ⓜ Height from countertop to bottom of door	29"
Ⓝ Height from countertop to top of lower panel	29 15/16"
Ⓞ Height from countertop to bottom of lower panel	33 5/8"
Ⓟ Thickness of handle (not including standoffs)	1 1/4"
Ⓠ Width of handle (including standoffs) - right	31"
- left	14 15/16"
Ⓡ Depth of handle (measured from front of door)	2 7/8"
Ⓢ Depth of front of cooktop to control panel	1 7/16"
Ⓣ Height of cooktop front face	1 3/8"
Ⓤ Height from top of cooktop to control panel	2"
Ⓡ Depth of open door to cabinetry face - flush	19 1/8"
Ⓢ Adjustable feet height	min 1/2" max 1 1/2"

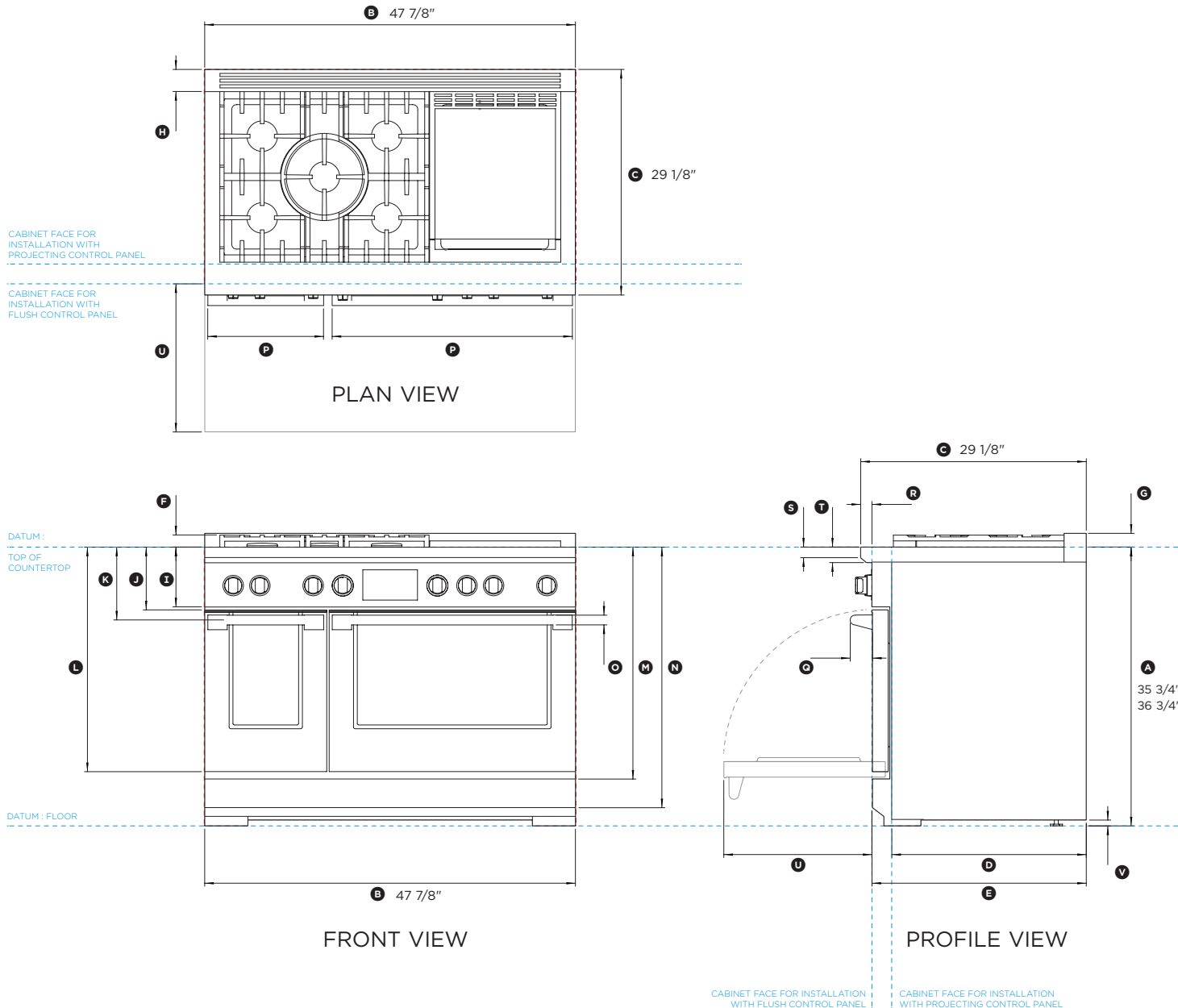
Cavity Dimensions	mm
Overall width of cavity	min 48"
Overall depth of cavity for projecting control panel	max 25 3/8"
Overall depth of cavity for flush control panel	max 27 11/16"
Overall height of cavity	35 3/4" 36 3/4"

IMPORTANT NOTE: For full installation and clearance details please refer to our installation manual.

INDICATES PRODUCT DATUM -----

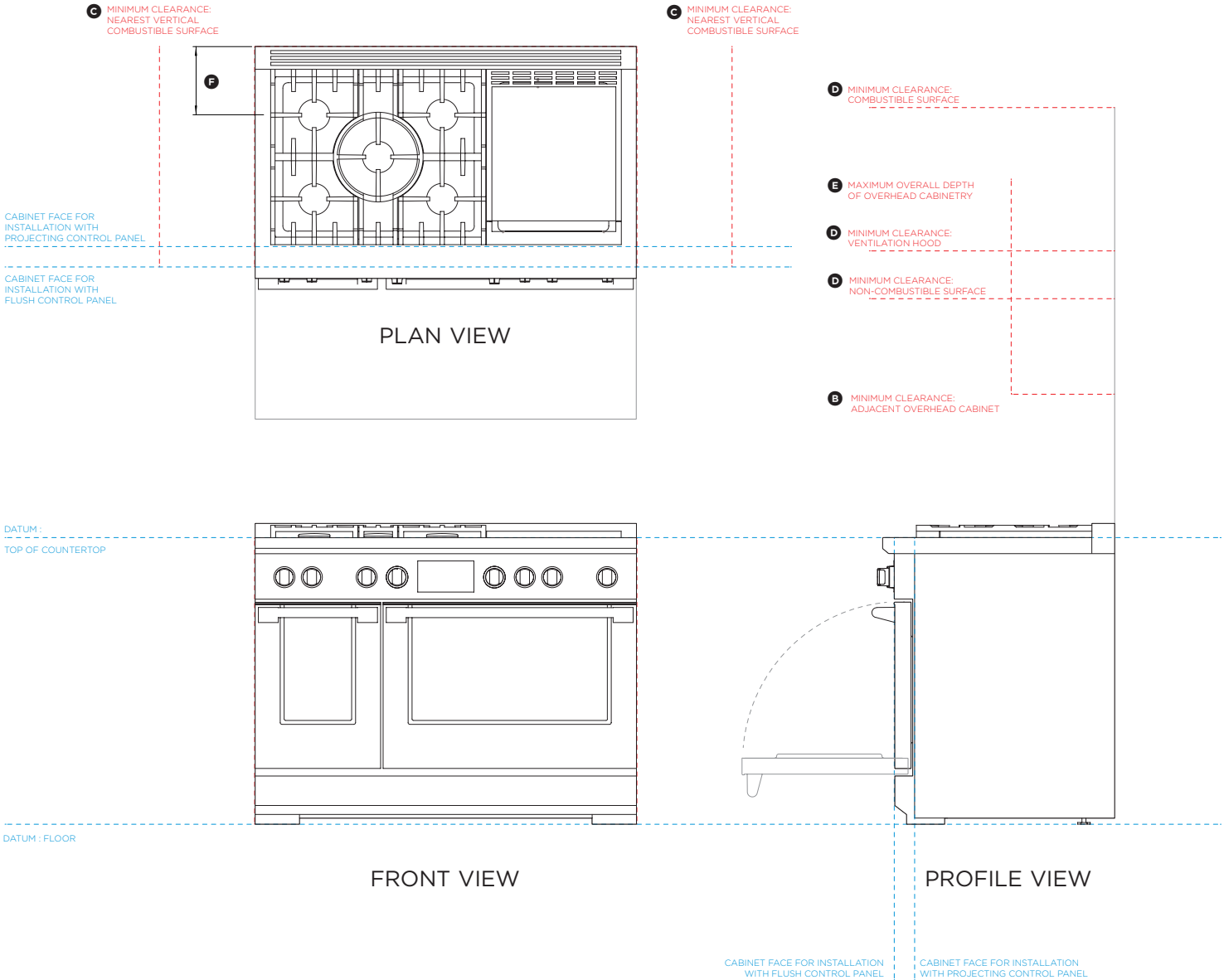
DATE: **20.06.2024**

IMPORTANT: Throughout this guide, dimensions may vary by ±2mm (1/16"). Read the installation guide for detailed information on installing the product. For full installation instructions and specifications visit fisherpaykel.com



FISHER & PAYKEL

CLEARANCE DIMENSIONS 48" Professional Range - Dual Fuel



Model no:
RDV3-485GD

Clearance Dimensions	in
Ⓐ Minimum width of ventilation hood installed above range - not shown*	48"
Ⓑ Minimum vertical distance between countertop and cabinet extending above counter	18"
Ⓒ Minimum clearance from left and right of range to nearest vertical combustible surface	12"
Ⓓ Minimum clearance from cooking surface to: - combustible surface centered above the cooking surface - combustible covering for ventilation hood centered above the cooking surface - non-combustible surface** centered above the cooking surface	54" 36" 30"
Ⓔ Maximum overall depth of overhead cabinetry	13"
Ⓕ Distance from center of rear burner to rear of product	8 5/8"

*IMPORTANT NOTE: For full installation and clearance details please refer to our installation manual.

**Non-combustible surfaces: as defined in 'National Fuel Gas Code' (ANSI Z223.1, Current Edition). Clearances from non-combustible materials are not part of the ANSI Z21.1 scope and are not certified by UL. Clearances of less than 6" (152mm) must be approved by the local codes and/or by the local authority having jurisdiction.

INDICATES CABINETRY CLEARANCES -----
INDICATES PRODUCT DATUM - - - - -

DATE: **20.06.2024**

IMPORTANT: Throughout this guide, dimensions may vary by ±2mm (1/16"). Read the installation guide for detailed information on installing the product. For full installation instructions and specifications visit fisherpaykel.com



FISHER & PAYKEL

CAVITY PREPARATION 48" Professional Range - Dual Fuel

Model no:
RDV3-485GD

Specifications

Oven Total Capacity 2.1 cu.ft + 4.8 cu.ft

Electrical

Supply 120/240 V, 60 Hz

Service 50 A

Connection 4-prong grounding type (NEMA 14-50P plug)

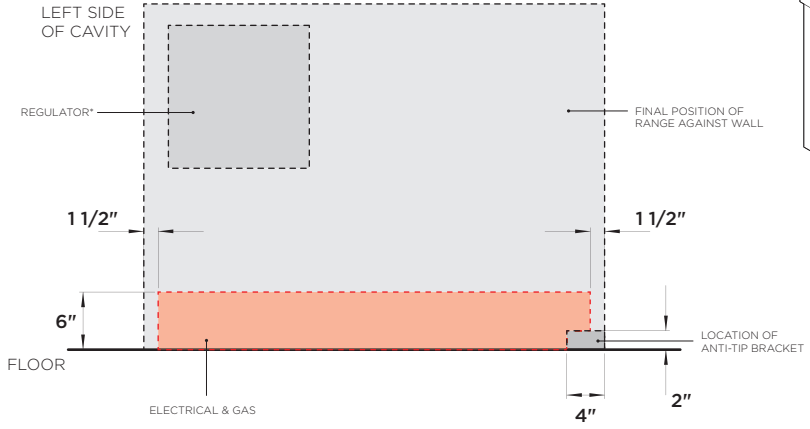
Gas

Types Natural Gas 6" to 9" W.C
LP Propane 11" to 14" W.C

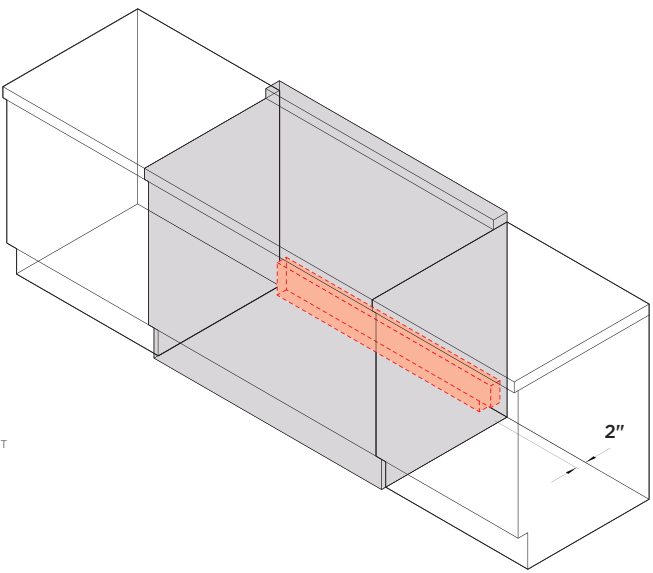
Connection 1/2" NPT Minimum 5/8" dia. flex line

*Regulator location may vary depending on model.

IMPORTANT NOTE: For full installation and connection details please refer to our installation manual.



REAR OF CAVITY



DATE: **20.06.2024**

IMPORTANT: Throughout this guide, dimensions may vary by ±2mm (1/16"). Read the installation guide for detailed information on installing the product. For full installation instructions and specifications visit fisherpaykel.com

FISHER & PAYKEL

PRODUCT & CAVITY DIMENSIONS 48" Professional Range - Dual Fuel

Model no:
RDV3-488

Product Dimensions	in
Ⓐ Height of range (from floor to cooktop, excluding grates and rear trim)	min 35 3/4" max 36 3/4"
Ⓑ Overall width of range	47 7/8"
Ⓒ Overall depth of range (excluding handle and dials)	29 1/8"
Ⓓ Depth from rear of chassis to cabinetry face - projecting	25 3/8"
Ⓔ Depth from rear of chassis to cabinetry face - flush	27 11/16"
Ⓕ Height from countertop to top of pan supports	1 9/16"
Ⓖ Height of rear trim	1 3/4"
Ⓗ Depth of rear trim	2 7/8"
Ⓘ Height from countertop to bottom of control panel	7 3/4"
Ⓛ Height from countertop to top of door	8 1/8"
Ⓜ Height from countertop to centre of handle	9 7/16"
Ⓝ Height from countertop to bottom of door	29"
Ⓟ Height from countertop to top of lower panel	29 15/16"
Ⓡ Height from countertop to bottom of lower panel	33 5/8"
Ⓢ Thickness of handle (not including standoffs)	1 1/4"
Ⓣ Width of handle (including standoffs) - right	31"
- left	14 15/16"
Ⓤ Depth of handle (measured from front of door)	2 7/8"
Ⓡ Depth of front of cooktop to control panel	1 7/16"
Ⓣ Height of cooktop front face	1 3/8"
Ⓛ Height from top of cooktop to control panel	2"
Ⓤ Depth of open door to cabinetry face - flush	19 1/8"
Ⓡ Adjustable feet height	min 1/2" max 1 1/2"

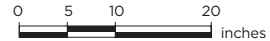
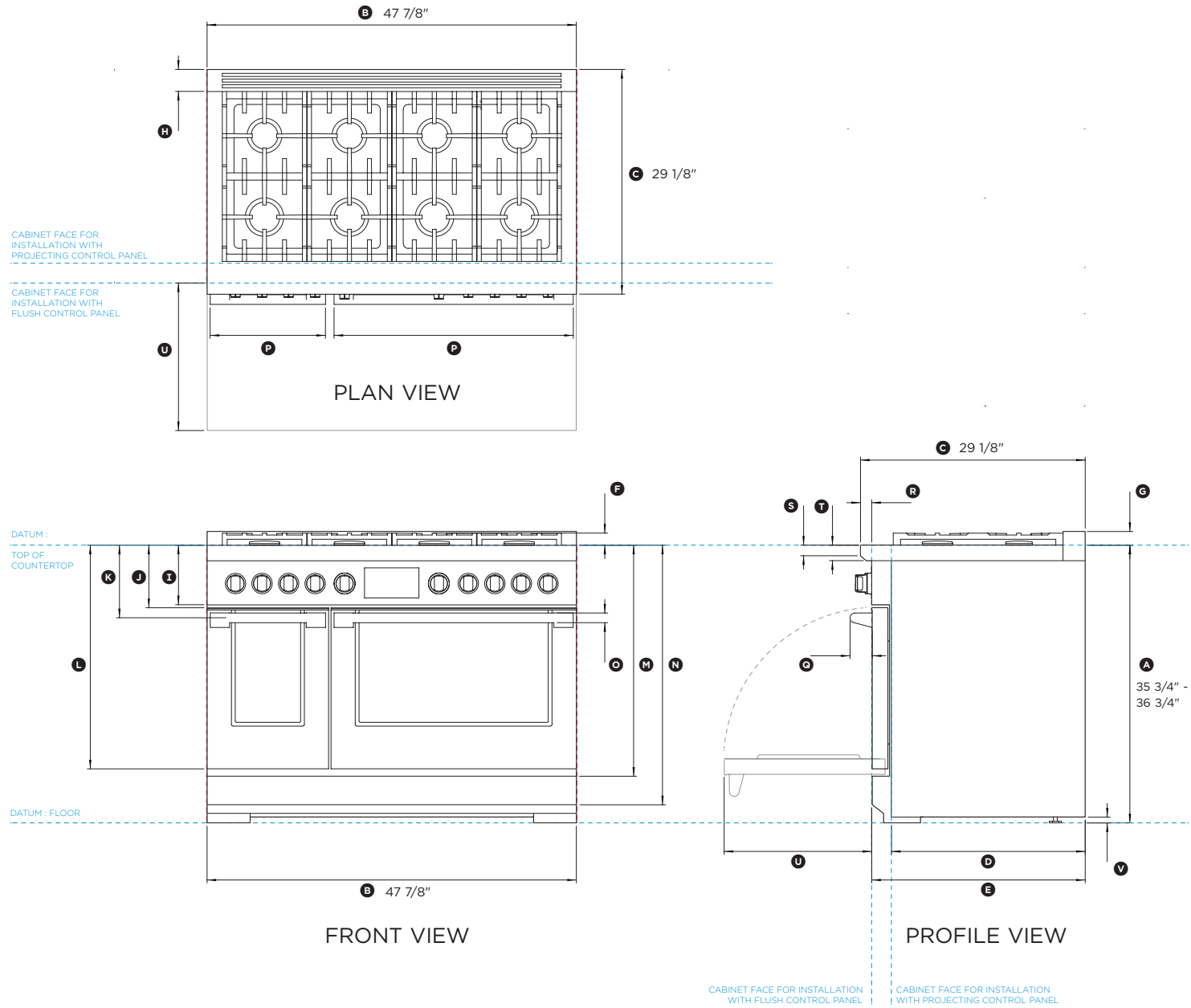
Cavity Dimensions	mm
Overall width of cavity	min 48"
Overall depth of cavity for projecting control panel	max 25 3/8"
Overall depth of cavity for flush control panel	max 27 11/16"
Overall height of cavity	35 3/4" 36 3/4"

IMPORTANT NOTE: For full installation and clearance details please refer to our installation manual.

INDICATES PRODUCT DATUM -----

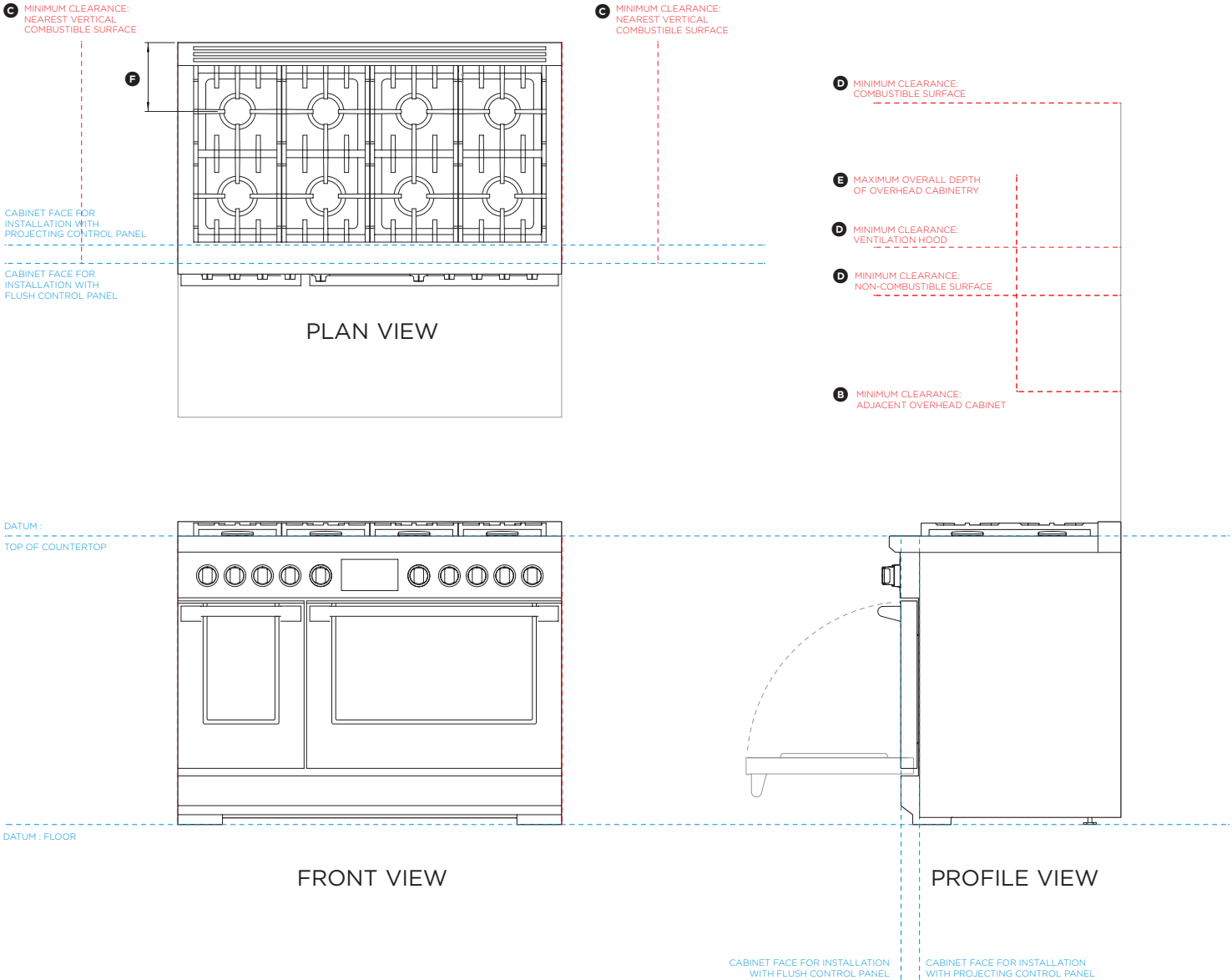
DATE: **20.06.2024**

IMPORTANT: Throughout this guide, dimensions may vary by ±2mm (1/16"). Read the installation guide for detailed information on installing the product. For full installation instructions and specifications visit fisherpaykel.com



FISHER & PAYKEL

CLEARANCE DIMENSIONS 48" Professional Range - Dual Fuel



Model no:
RDV3-488

Clearance Dimensions	in
Ⓐ Minimum width of ventilation hood installed above range - not shown*	48"
Ⓑ Minimum vertical distance between countertop and cabinet extending above counter	18"
Ⓒ Minimum clearance from left and right of range to nearest vertical combustible surface	12"
Ⓓ Minimum clearance from cooking surface to: - combustible surface centered above the cooking surface - combustible covering for ventilation hood centered above the cooking surface - non-combustible surface** centered above the cooking surface	54" 36" 30"
Ⓔ Maximum overall depth of overhead cabinetry	13"
Ⓕ Distance from center of rear burner to rear of product	8 5/8"

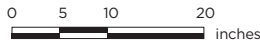
*IMPORTANT NOTE: For full installation and clearance details please refer to our installation manual.

**Non-combustible surfaces: as defined in 'National Fuel Gas Code' (ANSI Z223.1, Current Edition). Clearances from non-combustible materials are not part of the ANSI Z21.1 scope and are not certified by UL. Clearances of less than 6" (152mm) must be approved by the local codes and/or by the local authority having jurisdiction.

INDICATES CABINERY CLEARANCES -----
INDICATES PRODUCT DATUM -----

DATE: **20.06.2024**

IMPORTANT: Throughout this guide, dimensions may vary by ±2mm (1/16"). Read the installation guide for detailed information on installing the product. For full installation instructions and specifications visit fisherpaykel.com



FISHER & PAYKEL

CAVITY PREPARATION 48" Professional Range - Dual Fuel

Model no:

RDV3-488

Specifications

Oven Total Capacity 2.1 cu.ft + 4.8 cu.ft

Electrical

Supply 120/240 V, 60 Hz

Service 50 A

Connection 4-prong grounding type (NEMA 14-50P plug)

Gas

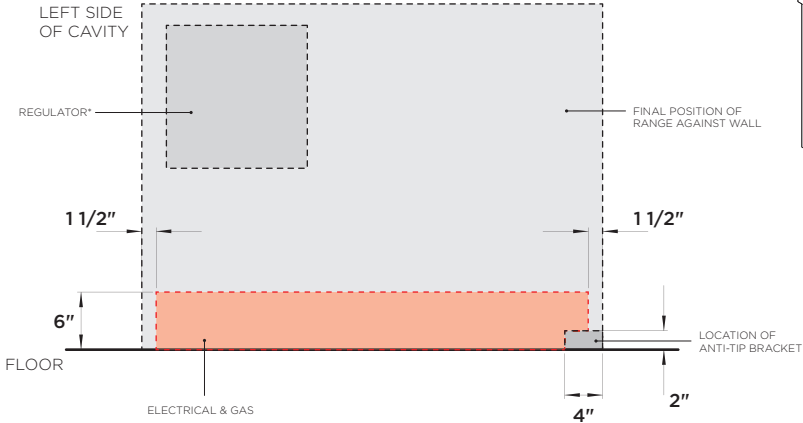
Types Natural Gas 6" to 9" W.C

LP Propane 11" to 14" W.C

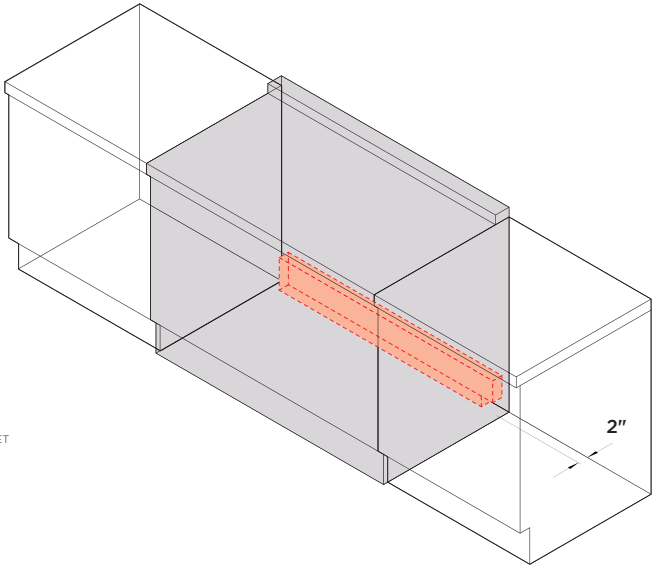
Connection 1/2" NPT Minimum 5/8" dia. flex line

*Regulator location may vary depending on model.

IMPORTANT NOTE: For full installation and connection details please refer to our installation manual.



REAR OF CAVITY



DATE: **20.06.2024**

IMPORTANT: Throughout this guide, dimensions may vary by ±2mm (1/16"). Read the installation guide for detailed information on installing the product. For full installation instructions and specifications visit fisherpaykel.com

METRIC

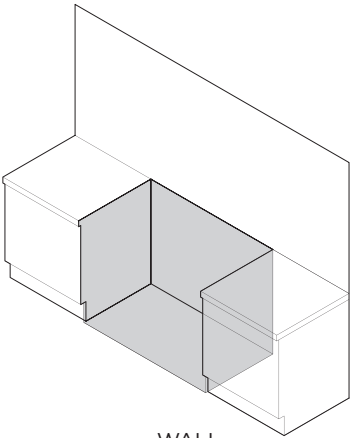
FISHER & PAYKEL

KEY DESIGN DECISIONS 48" Professional Range

Model no:
RHV3-484, RDV3-486GD, RDV3-488

1

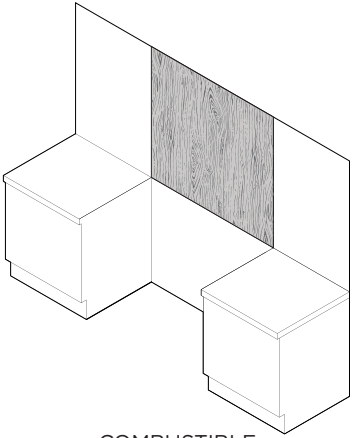
INSTALL TYPE



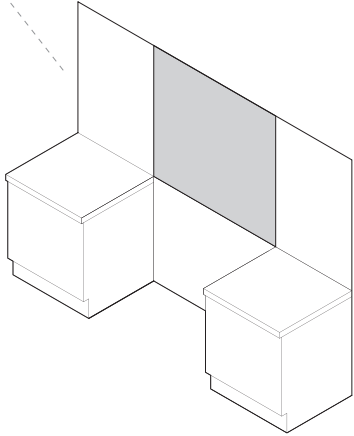
WALL

2

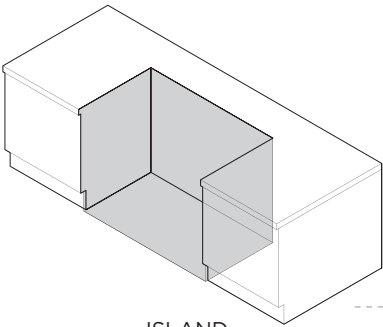
REAR SURFACE



COMBUSTIBLE



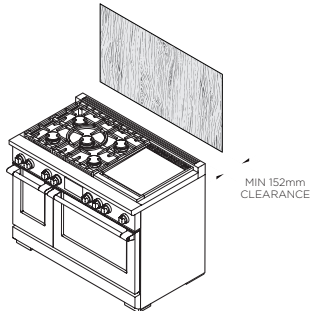
NON COMBUSTIBLE



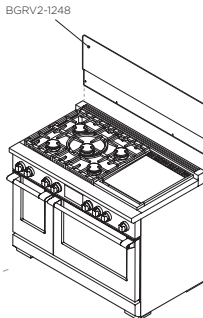
ISLAND

3

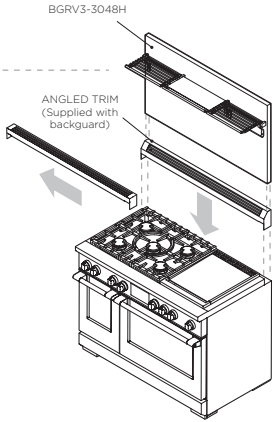
BACKGUARD OPTIONS



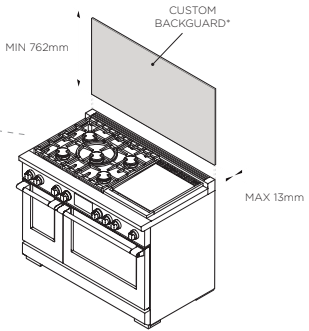
NO BACKGUARD



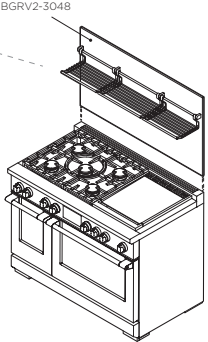
LOW THIN BACKGUARD



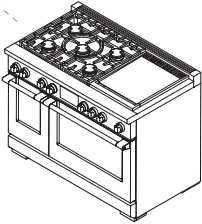
HIGH THICK BACKGUARD WITH ANGLED TRIM



CUSTOM FABRICATED* BACKGUARD
*Fabricated from non combustible materials only



HIGH THIN BACKGUARD



NO BACKGUARD

DATE: **20.06.2024**

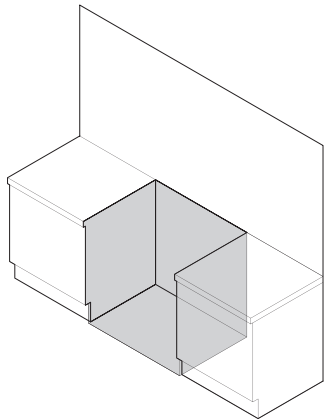
IMPORTANT: Throughout this guide, dimensions may vary by ±2mm (1/16"). Read the installation guide for detailed information on installing the product. For full installation instructions and specifications visit fisherpaykel.com

FISHER & PAYKEL

VENTILATION REQUIREMENTS 48" Professional Range

1

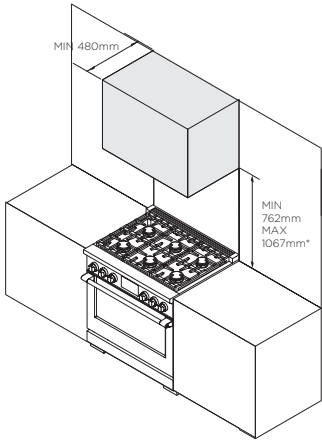
INSTALL TYPE



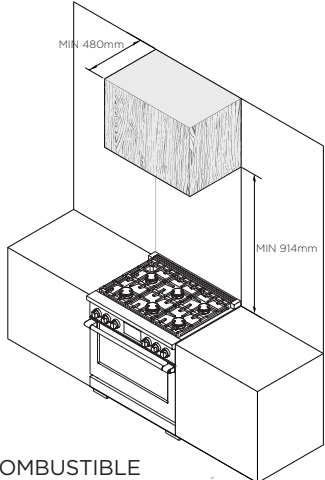
WALL

2

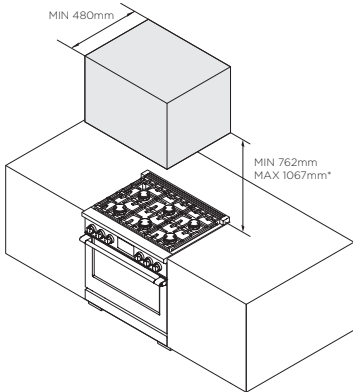
HOOD SURROUND MATERIAL



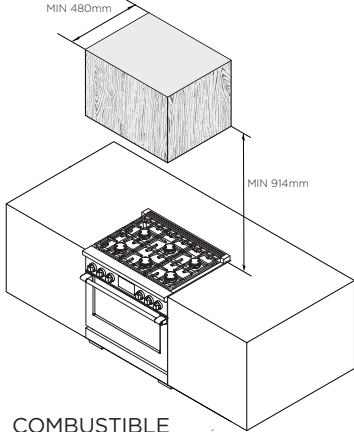
NON COMBUSTIBLE



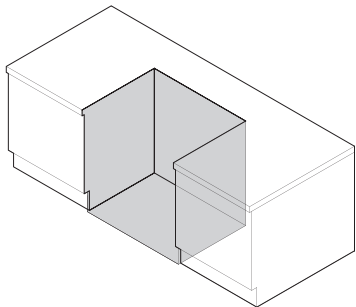
COMBUSTIBLE



NON COMBUSTIBLE



COMBUSTIBLE



ISLAND

Model no:

RDV3-485GD, RDV3-486GD, RDV3-486GL, RDV3-488

Note: RDV3-366 illustrated but all dimensions apply to the above models

Specifications

Ventilation Unit	Wall Installation
Hood	Minimum 480mm Deep x Unit Width
Blower	Minimum 1100 CFM

Ventilation Unit	Island Installation
Hood	Minimum 480mm Deep x Unit Width
Blower	Minimum 1100 CFM

Note: A suitable hood must be installed above the range. The above indicates the minimum blower capacity recommended for hood ventilation.

*Recommended maximum.

DATE: **20.06.2024**

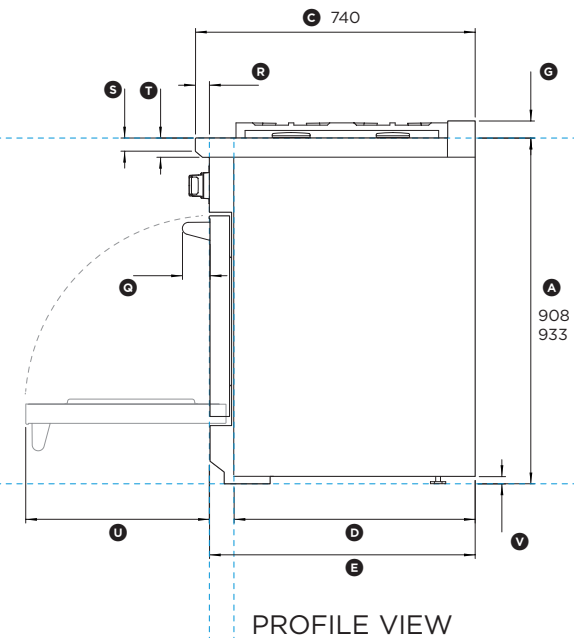
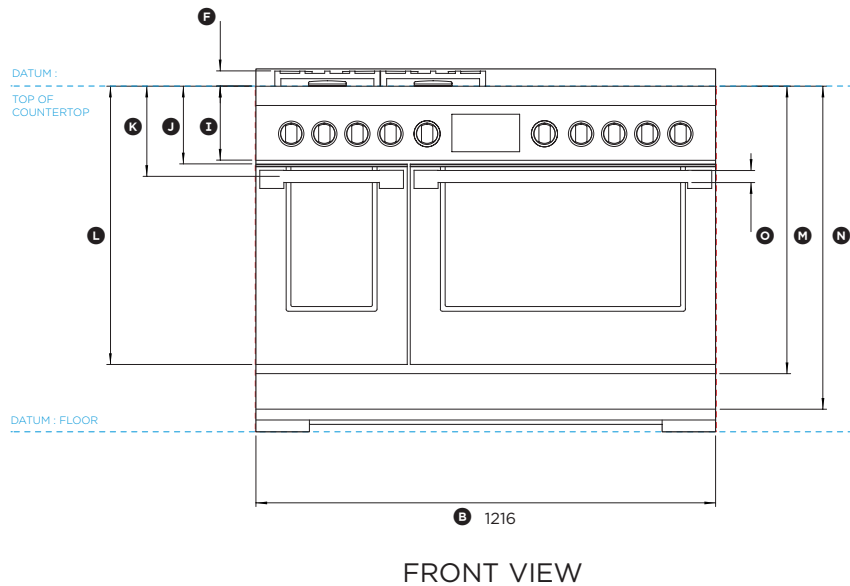
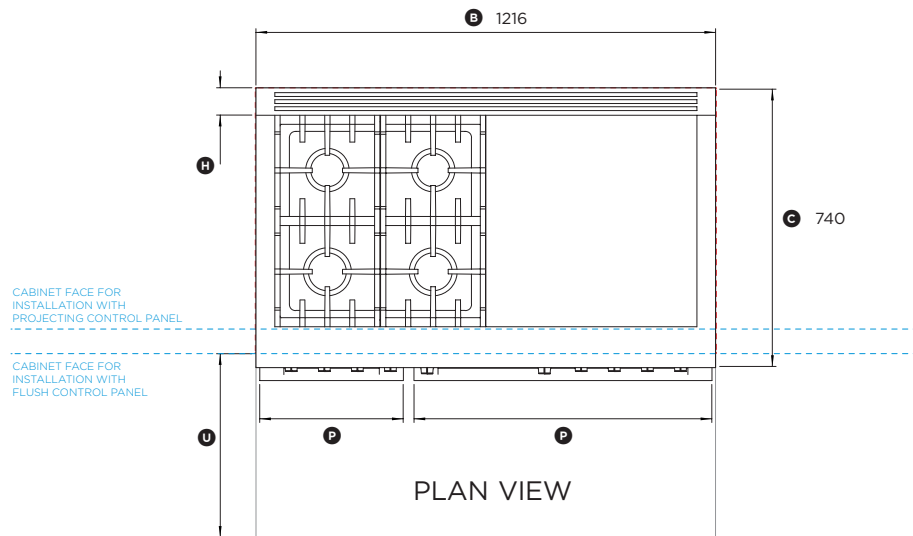
IMPORTANT: Throughout this guide, dimensions may vary by ±2mm (1/16"). Read the installation guide for detailed information on installing the product. For full installation instructions and specifications visit fisherpaykel.com

FISHER & PAYKEL

PRODUCT & CAVITY DIMENSIONS 48" Professional Range - Dual Fuel/Induction

Model no:
RHV3-484

Product Dimensions	mm
Ⓐ Height of range (from floor to cooktop, excluding grates and rear trim)	min 908 max 933
Ⓑ Overall width of range	1216
Ⓒ Overall depth of range (excluding handle and dials)	740
Ⓓ Depth from rear of chassis to cabinetry face - projecting	644
Ⓔ Depth from rear of chassis to cabinetry face - flush	703
Ⓕ Height from countertop to top of pan supports	40
Ⓖ Height of rear trim	45
Ⓗ Depth of rear trim	73
Ⓘ Height from countertop to bottom of control panel	196
Ⓛ Height from countertop to top of door	206
Ⓜ Height from countertop to centre of handle	239
Ⓝ Height from countertop to bottom of door	737
Ⓞ Height from countertop to top of lower panel	761
Ⓟ Height from countertop to bottom of lower panel	855
Ⓠ Thickness of handle (not including standoffs)	32
Ⓡ Width of handle (including standoffs) - right	788
- left	380
Ⓢ Depth of handle (measured from front of door)	73
Ⓣ Depth of front of cooktop to control panel	37
Ⓤ Height of cooktop front face	35
Ⓡ Height from top of cooktop to control panel	51
Ⓢ Depth of open door to cabinetry face - flush	486
Ⓣ Adjustable feet height	min 13 max 38
Cavity Dimensions	mm
Overall width of cavity	min 1219
Overall depth of cavity for projecting control panel	max 644
Overall depth of cavity for flush control panel	max 703
Overall height of cavity	908 933



IMPORTANT NOTE: For full installation and clearance details please refer to our installation manual.

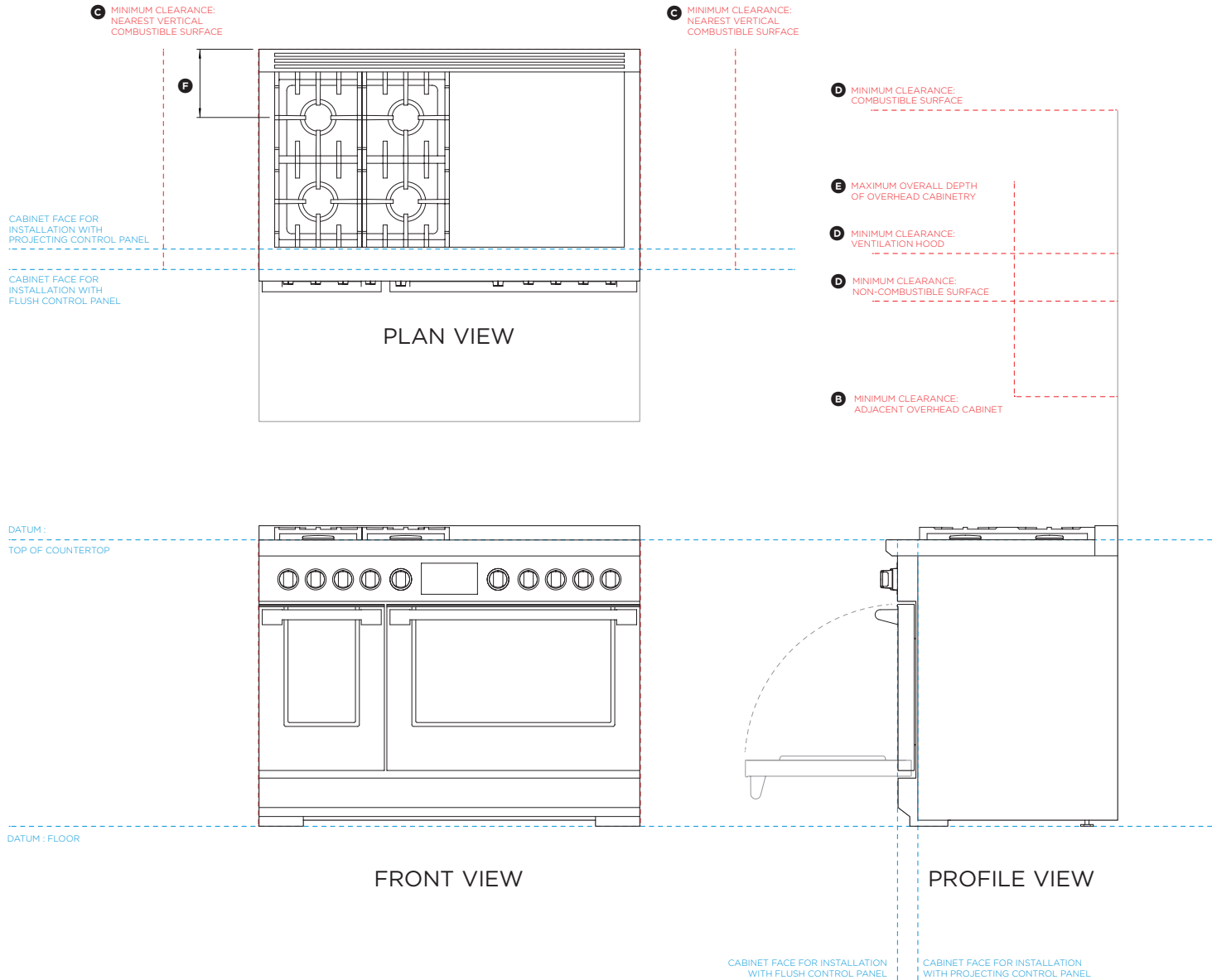
INDICATES PRODUCT DATUM -----

DATE: **20.06.2024**

IMPORTANT: Throughout this guide, dimensions may vary by ±2mm (1/16"). Read the installation guide for detailed information on installing the product. For full installation instructions and specifications visit fisherpaykel.com

FISHER & PAYKEL

CLEARANCE DIMENSIONS 48" Professional Range - Dual Fuel/Induction



Model no:
RHV3-484

Clearance Dimensions	mm
Ⓐ Minimum width of ventilation hood installed above range - not shown*	1219
Ⓑ Minimum vertical distance between countertop and cabinet extending above counter	457
Ⓒ Minimum clearance from left and right of range to nearest vertical combustible surface	305
Ⓓ Minimum clearance from cooking surface to: - combustible surface centred above the cooking surface - combustible covering for ventilation hood centred above the cooking surface - non-combustible surface** centred above the cooking surface	1372 914 762
Ⓔ Maximum overall depth of overhead cabinetry	330
Ⓕ Distance from centre of rear burner to rear of product	218

*IMPORTANT NOTE: For full installation and clearance details please refer to our installation manual.

**Non-combustible surfaces: as defined in 'National Fuel Gas Code' (ANSI Z223.1, Current Edition). Clearances from non-combustible materials are not part of the ANSI Z21.1 scope and are not certified by UL. Clearances of less than 6" (152mm) must be approved by the local codes and/or by the local authority having jurisdiction.

INDICATES CABINETRY CLEARANCES - - - - -

INDICATES PRODUCT DATUM - - - - -

DATE: **20.06.2024**

IMPORTANT: Throughout this guide, dimensions may vary by ±2mm (1/16"). Read the installation guide for detailed information on installing the product. For full installation instructions and specifications visit fisherpaykel.com

0 100 200 400 millimetres

FISHER & PAYKEL

CAVITY PREPARATION 48" Professional Range - Dual Fuel/Induction

Model no:

RHV3-484

Specifications

Oven Total Capacity 60L + 136L

Electrical

Supply 120/240 V, 60 Hz

Service 50 A

Connection 4-prong grounding type (NEMA 14-50P plug)

Gas

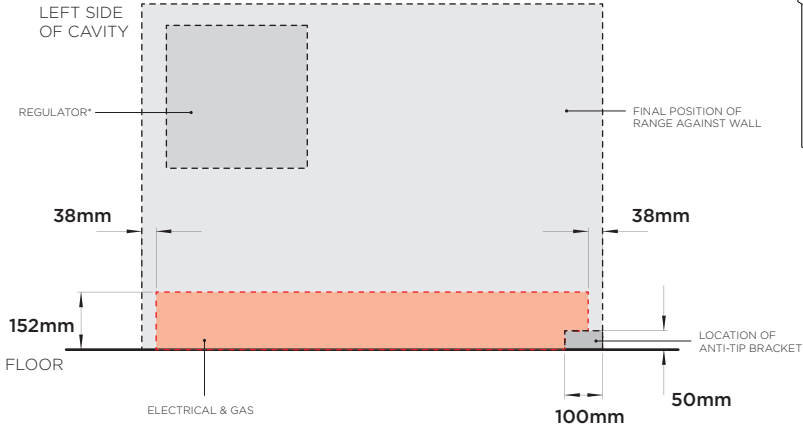
Types Natural Gas 6" to 9" W.C

LP Propane 11" to 14" W.C

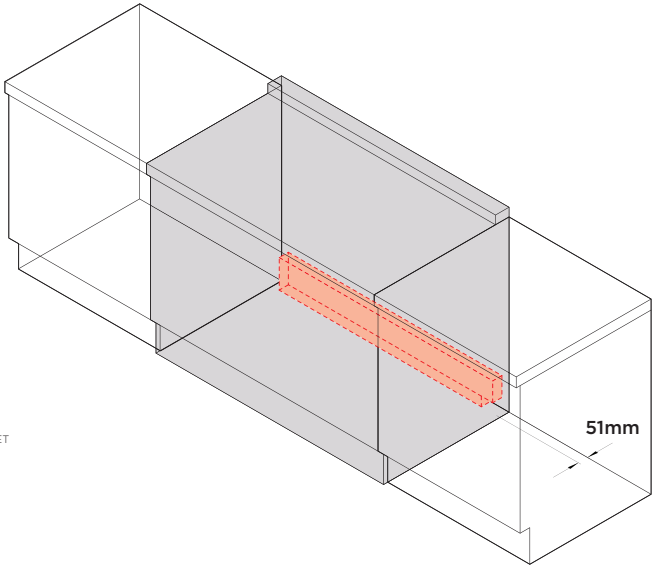
Connection 1/2" NPT Minimum 5/8" dia. flex line

*Regulator location may vary depending on model.

IMPORTANT NOTE: For full installation and connection details please refer to our installation manual.



REAR OF CAVITY



DATE: **20.06.2024**

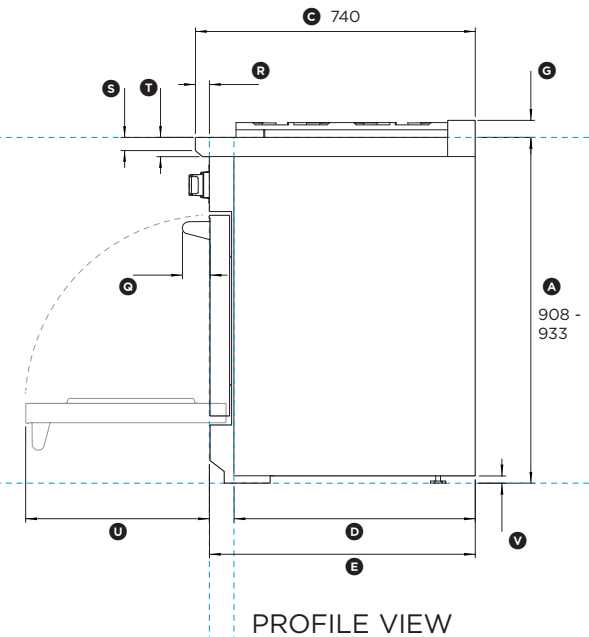
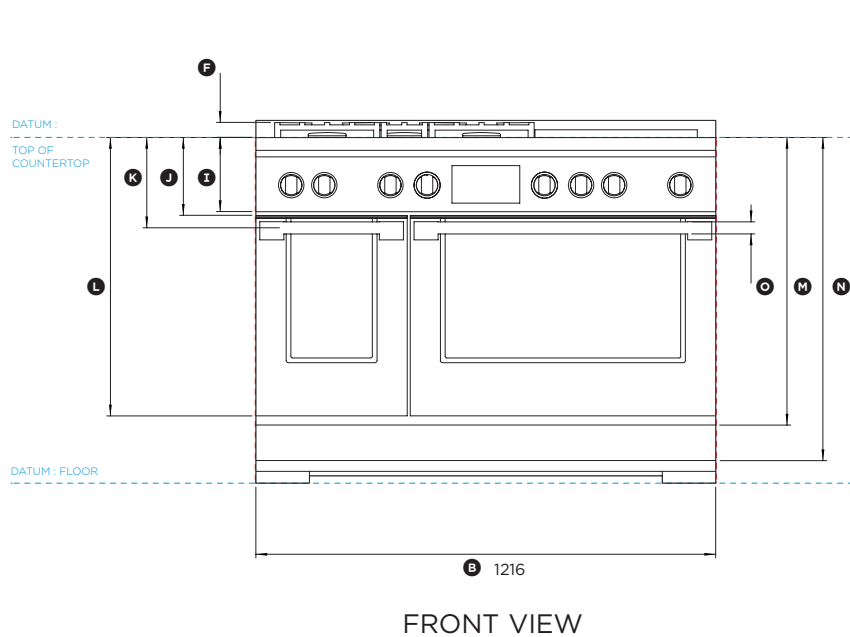
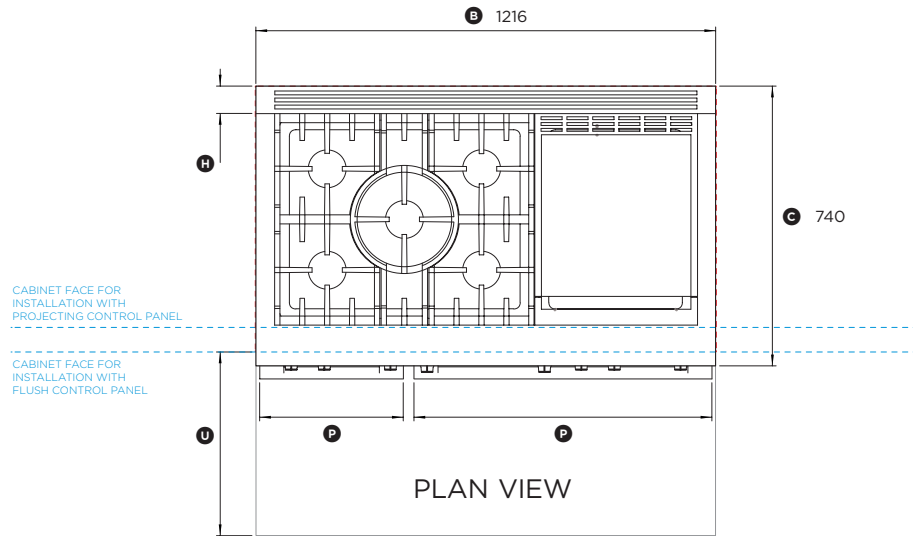
IMPORTANT: Throughout this guide, dimensions may vary by ±2mm (1/16"). Read the installation guide for detailed information on installing the product. For full installation instructions and specifications visit fisherpaykel.com

FISHER & PAYKEL

PRODUCT & CAVITY DIMENSIONS 48" Professional Range - Dual Fuel

Model no:
RDV3-485GD

Product Dimensions	mm
Ⓐ Height of range (from floor to cooktop, excluding grates and rear trim)	min 908 max 933
Ⓑ Overall width of range	1216
Ⓒ Overall depth of range (excluding handle and dials)	740
Ⓓ Depth from rear of chassis to cabinetry face - projecting	644
Ⓔ Depth from rear of chassis to cabinetry face - flush	703
Ⓕ Height from countertop to top of pan supports	40
Ⓖ Height of rear trim	45
Ⓗ Depth of rear trim	73
Ⓘ Height from countertop to bottom of control panel	196
Ⓛ Height from countertop to top of door	206
Ⓜ Height from countertop to centre of handle	239
Ⓚ Height from countertop to bottom of door	737
Ⓝ Height from countertop to top of lower panel	761
Ⓟ Height from countertop to bottom of lower panel	855
Ⓢ Thickness of handle (not including standoffs)	32
Ⓣ Width of handle (including standoffs) - right	788
- left	380
Ⓤ Depth of handle (measured from front of door)	73
Ⓡ Depth of front of cooktop to control panel	37
Ⓣ Height of cooktop front face	35
Ⓛ Height from top of cooktop to control panel	51
Ⓟ Depth of open door to cabinetry face - flush	486
Ⓡ Adjustable feet height	min 13 max 38
Cavity Dimensions	mm
Overall width of cavity	min 1219
Overall depth of cavity for projecting control panel	max 644
Overall depth of cavity for flush control panel	max 703
Overall height of cavity	908 933



IMPORTANT NOTE: For full installation and clearance details please refer to our installation manual.

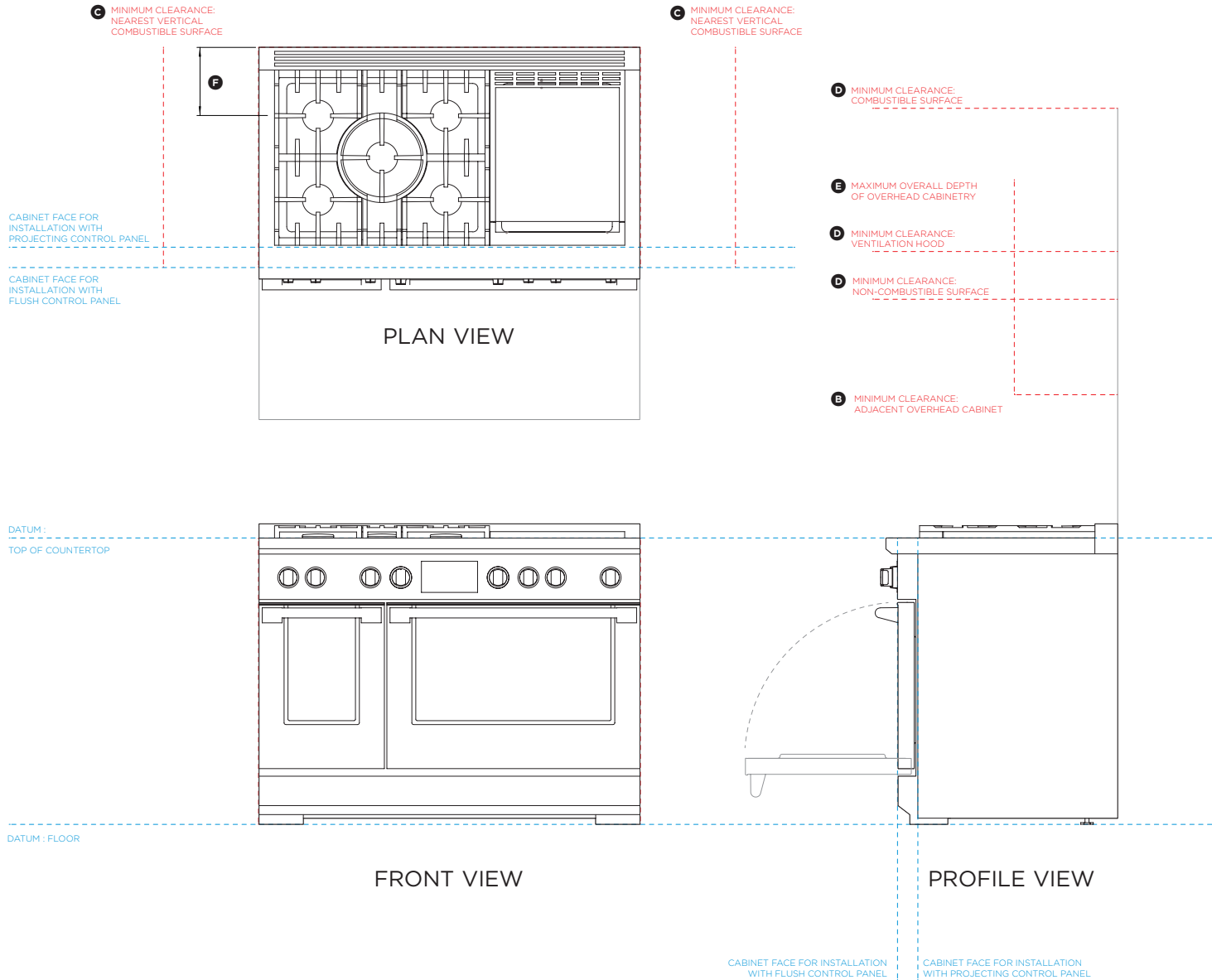
INDICATES PRODUCT DATUM

DATE: **20.06.2024**

IMPORTANT: Throughout this guide, dimensions may vary by $\pm 2\text{mm}$ (1/16"). Read the installation guide for detailed information on installing the product. For full installation instructions and specifications visit fisherpaykel.com

FISHER & PAYKEL

CLEARANCE DIMENSIONS 48" Professional Range - Dual Fuel



Model no:
RDV3-485GD

Clearance Dimensions	mm
Ⓐ Minimum width of ventilation hood installed above range - not shown*	1219
Ⓑ Minimum vertical distance between countertop and cabinet extending above counter	457
Ⓒ Minimum clearance from left and right of range to nearest vertical combustible surface	305
Ⓓ Minimum clearance from cooking surface to: - combustible surface centred above the cooking surface - combustible covering for ventilation hood centred above the cooking surface - non-combustible surface** centred above the cooking surface	1372 914 762
Ⓔ Maximum overall depth of overhead cabinetry	330
Ⓕ Distance from centre of rear burner to rear of product	218

*IMPORTANT NOTE: For full installation and clearance details please refer to our installation manual.

**Non-combustible surfaces: as defined in 'National Fuel Gas Code' (ANSI Z223.1, Current Edition). Clearances from non-combustible materials are not part of the ANSI Z21.1 scope and are not certified by UL. Clearances of less than 6" (152mm) must be approved by the local codes and/or by the local authority having jurisdiction.

INDICATES CABINETY CLEARANCES - - - - -

INDICATES PRODUCT DATUM - - - - -

DATE: **20.06.2024**

IMPORTANT: Throughout this guide, dimensions may vary by ±2mm (1/16"). Read the installation guide for detailed information on installing the product. For full installation instructions and specifications visit fisherpaykel.com

0 100 200 400 millimetres

FISHER & PAYKEL

CAVITY PREPARATION 48" Professional Range - Dual Fuel

Model no:
RDV3-485GD

Specifications

Oven Total Capacity 60L + 136L

Electrical

Supply 120/240 V, 60 Hz

Service 50 A

Connection 4-prong grounding type (NEMA 14-50P plug)

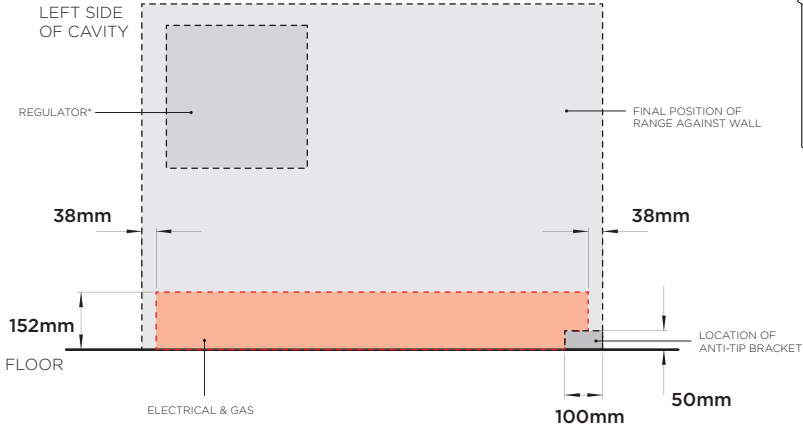
Gas

Types Natural Gas 6" to 9" W.C
LP Propane 11" to 14" W.C

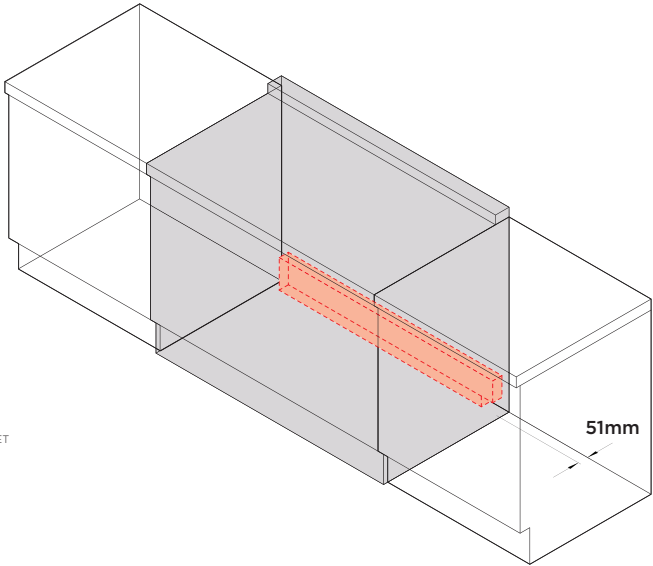
Connection 1/2" NPT Minimum 5/8" dia. flex line

*Regulator location may vary depending on model.

IMPORTANT NOTE: For full installation and connection details please refer to our installation manual.



REAR OF CAVITY



DATE: **20.06.2024**

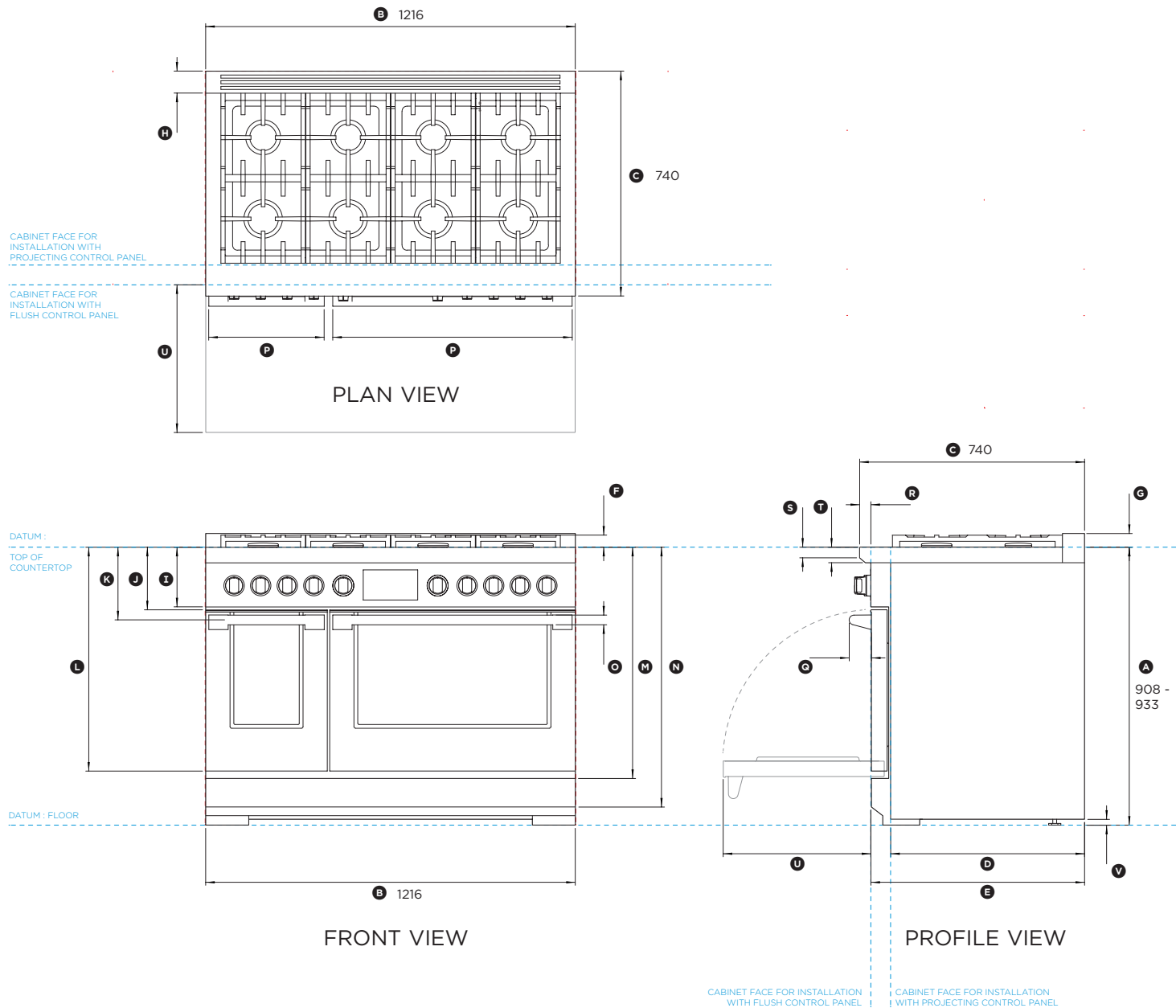
IMPORTANT: Throughout this guide, dimensions may vary by ±2mm (1/16"). Read the installation guide for detailed information on installing the product. For full installation instructions and specifications visit fisherpaykel.com

FISHER & PAYKEL

PRODUCT & CAVITY DIMENSIONS 48" Professional Range - Dual Fuel

Model no:
RDV3-488

Product Dimensions	mm
Ⓐ Height of range (from floor to cooktop, excluding grates and rear trim)	min 908 max 933
Ⓑ Overall width of range	1216
Ⓒ Overall depth of range (excluding handle and dials)	740
Ⓓ Depth from rear of chassis to cabinetry face - projecting	644
Ⓔ Depth from rear of chassis to cabinetry face - flush	703
Ⓕ Height from countertop to top of pan supports	40
Ⓖ Height of rear trim	45
Ⓗ Depth of rear trim	73
Ⓘ Height from countertop to bottom of control panel	196
Ⓛ Height from countertop to top of door	206
Ⓜ Height from countertop to centre of handle	239
Ⓚ Height from countertop to bottom of door	737
Ⓝ Height from countertop to top of lower panel	761
Ⓞ Height from countertop to bottom of lower panel	855
Ⓟ Thickness of handle (not including standoffs)	32
Ⓠ Width of handle (including standoffs) - right	788
- left	380
Ⓡ Depth of handle (measured from front of door)	73
Ⓢ Depth of front of cooktop to control panel	37
Ⓣ Height of cooktop front face	35
Ⓛ Height from top of cooktop to control panel	51
Ⓤ Depth of open door to cabinetry face - flush	486
Ⓡ Adjustable feet height	min 13 max 38
Cavity Dimensions	mm
Overall width of cavity	min 1219
Overall depth of cavity for projecting control panel	max 644
Overall depth of cavity for flush control panel	max 703
Overall height of cavity	908 933



IMPORTANT NOTE: For full installation and clearance details please refer to our installation manual.

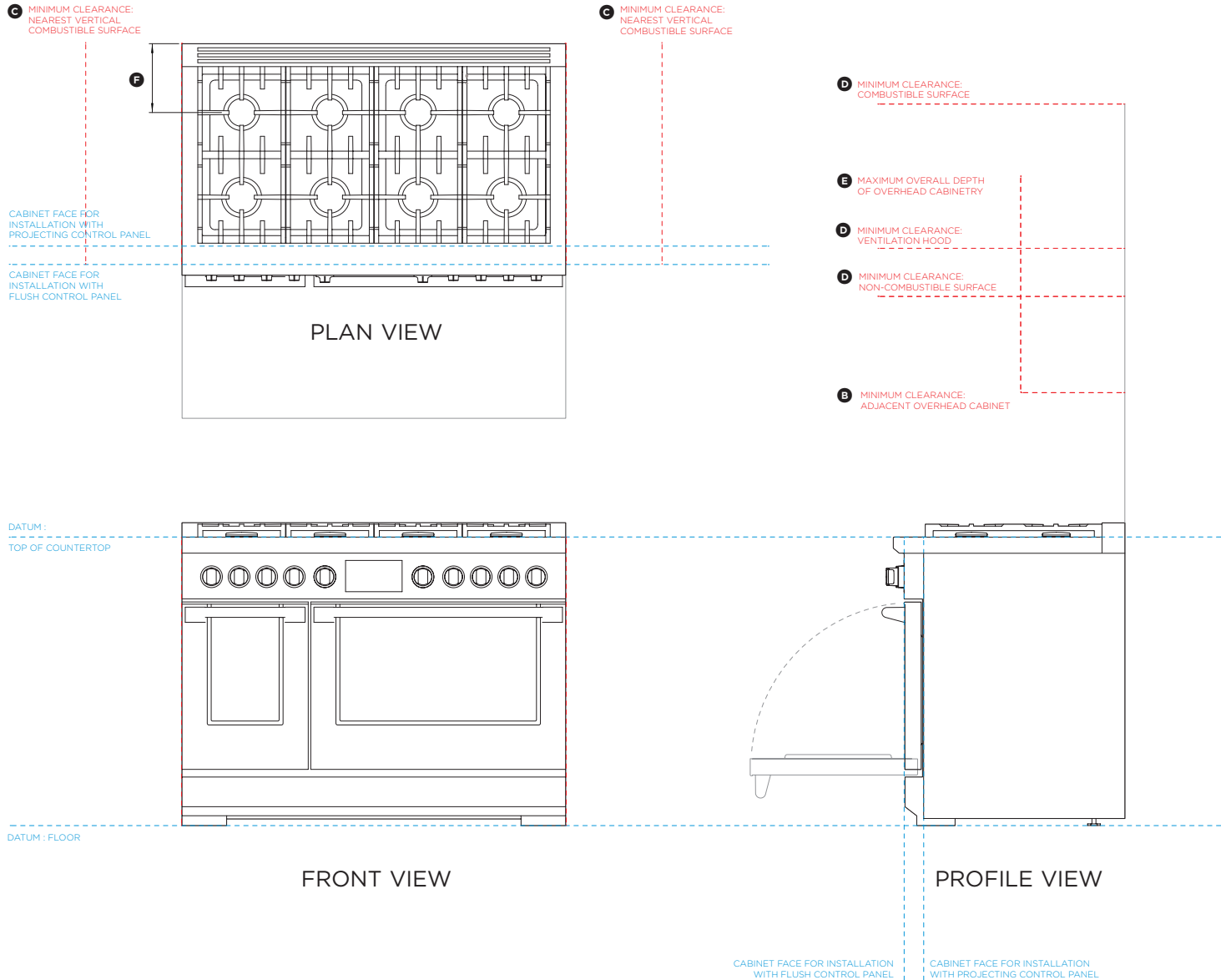
INDICATES PRODUCT DATUM -----

DATE: **20.06.2024**

IMPORTANT: Throughout this guide, dimensions may vary by $\pm 2\text{mm}$ (1/16"). Read the installation guide for detailed information on installing the product. For full installation instructions and specifications visit fisherpaykel.com

FISHER & PAYKEL

CLEARANCE DIMENSIONS 48" Professional Range - Dual Fuel



Model no:
RDV3-488

Clearance Dimensions	mm
Ⓐ Minimum width of ventilation hood installed above range - not shown*	1219
Ⓑ Minimum vertical distance between countertop and cabinet extending above counter	457
Ⓒ Minimum clearance from left and right of range to nearest vertical combustible surface	305
Ⓓ Minimum clearance from cooking surface to: - combustible surface centred above the cooking surface - combustible covering for ventilation hood centred above the cooking surface - non-combustible surface** centred above the cooking surface	1372 914 762
Ⓔ Maximum overall depth of overhead cabinetry	330
Ⓕ Distance from centre of rear burner to rear of product	218

*IMPORTANT NOTE: For full installation and clearance details please refer to our installation manual.

**Non-combustible surfaces: as defined in 'National Fuel Gas Code' (ANSI Z223.1, Current Edition). Clearances from non-combustible materials are not part of the ANSI Z21.1 scope and are not certified by UL. Clearances of less than 6" (152mm) must be approved by the local codes and/or by the local authority having jurisdiction.

INDICATES CABINETRY CLEARANCES - - - - -
INDICATES PRODUCT DATUM - - - - -

DATE: **20.06.2024**

IMPORTANT: Throughout this guide, dimensions may vary by ±2mm (1/16"). Read the installation guide for detailed information on installing the product. For full installation instructions and specifications visit fisherpaykel.com

0 100 200 400 millimetres

FISHER & PAYKEL

CAVITY PREPARATION 48" Professional Range

Model no:

RDV3-488

Specifications

Oven Total Capacity 60L + 136L

Electrical

Supply 120/240 V, 60 Hz

Service 50 A

Connection 4-prong grounding type (NEMA 14-50P plug)

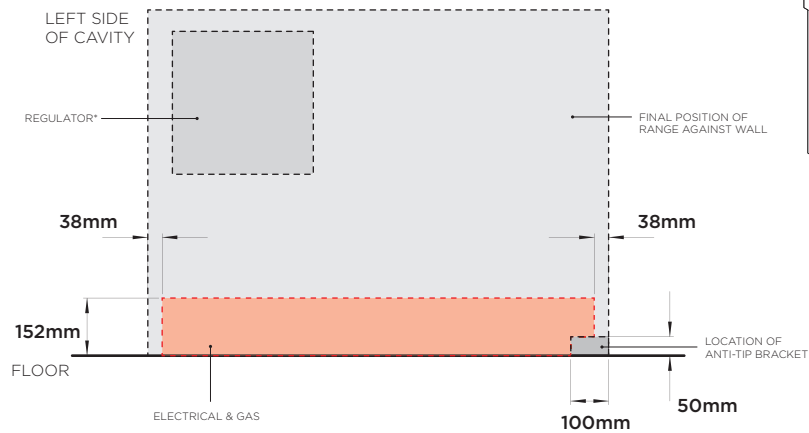
Gas

Types Natural Gas 6" to 9" W.C
LP Propane 11" to 14" W.C

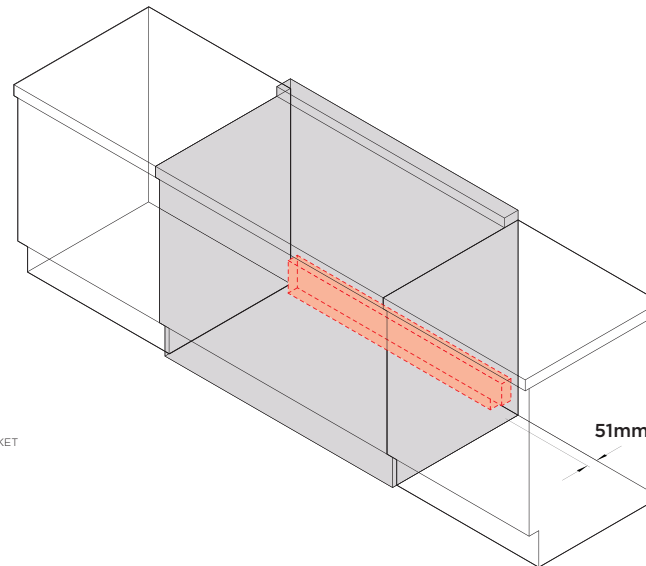
Connection 1/2" NPT Minimum 5/8" dia. flex line

*Regulator location may vary depending on model.

IMPORTANT NOTE: For full installation and connection details please refer to our installation manual.



REAR OF CAVITY



DATE: **20.06.2024**

IMPORTANT: Throughout this guide, dimensions may vary by $\pm 2\text{mm}$ (1/16"). Read the installation guide for detailed information on installing the product. For full installation instructions and specifications visit fisherpaykel.com

IMPORTANT: The product dimensions and specifications apply at the date of issue. Under our policy of continuous product improvement, these dimensions and specifications may change at any time. Dimensions may vary by $\pm 2\text{mm}$ (1/16"). Please read the installation guide for detailed information on installing the product or visit fisherpaykel.com.

June 2024