

# Freestanding French Door Refrigerator Freezer, 90cm, 541L, Ice & Water

Series 7 | Contemporary

Stainless Steel | French hinge

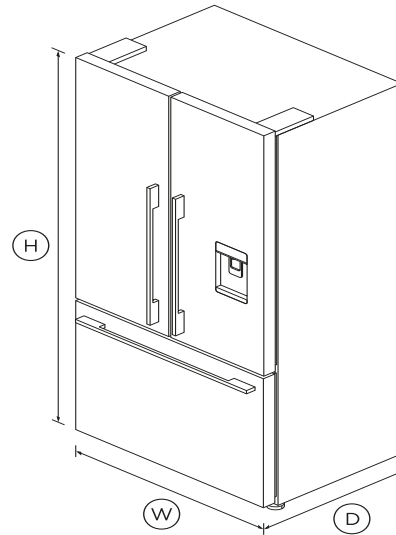


You'll have plenty of flexible storage space in this striking, large capacity French Door Refrigerator Freezer.

- ActiveSmart™ technology helps keep food fresher for longer by constantly maintaining the ideal temperature.
- Spacious bottom freezer with full extension drawer gives easy access to frozen goods.
- Door water dispenser and internal ice maker

## DIMENSIONS

Height	1790mm
Width	900mm
Depth	695mm



## FEATURES & BENEFITS

### HUMIDITY CONTROL

Your fruit and veges need different environments. The humidity control slides in each storage bin create a microclimate that helps keep food fresher for longer.

### ICE MAKER

Fresh ice is always available for you in a dedicated freezer bin. Simply turn it off to free up freezer space, or during busy times you can boost ice production by up to 30%.

## DESIGN QUALITY

Our fridges are designed and built using quality materials. We use real stainless steel on our fridges and solid glass for shelving.

## SIMPLE STORAGE

This refrigerator is designed to make it simple for you to store, access and remove food. Storage bins give you full access inside when they're pulled open and can be easily removed to clean. Our flexible shelving also gives you more storage options.

## COMPLEMENTARY DESIGN

With their premium handle styling and stainless steel finish, our fridges are designed to match the rest of Fisher & Paykel's kitchen appliance family.

## WATER DISPENSER

The slimline dispenser makes it easy to fill almost any sized jug or vessel with cool filtered water and doesn't take up any storage space in your refrigerator.

## SPECIFICATIONS

### Capacity

Total net volume	536L
Volume freezer	152L
Volume refrigerator	417L

### Consumption

Energy consumption	1.34kWh/24h
Energy rating	Grade 3

### Features

Adjustable glass shelves	2
Adjustable half width door	4
Covered door shelves	2
Door alarm	•

Front levelling feet	•
Full extension runners	•
Full width door shelves	2
LED lighting	•
Rear rollers	•
Single bottle holders	4
SmartTouch control panel	•
Ultra slim water dispenser	•

**Freezer Features**

Automatic ice maker	•
Bottle chill	•
Fast freeze	•
Freezer bins	3
Ice Boost	•
Ice bin and scoop	•

**Performance**

ActiveSmart Foodcare	•
Adaptive defrost	•
Frost free freezer	•
Humidity control system	•
R600a refrigerant	•

**Power requirements**

Connection power	240W
Supply voltage	220-240V

**Product dimensions**

Depth	695mm
Height	1790mm
Width	900mm

**Warranty**

Parts and labour	1 year
Sealed system parts only	5 years

SKU	25489
-----	-------

The product dimensions and specifications in this page apply to the specific product and model. Under our policy of continuous improvement, these dimensions and specifications may change at any time. You should therefore check with Fisher & Paykel's Customer Care Centre to ensure this page correctly describes the model currently available. ? Fisher & Paykel Appliances Ltd 2020



**A PEACE OF MIND SALE**

24 Hours 7 Days a Week Customer Support

T 400 640 8777 **W**www.fisherpaykel.com