

FISHER & PAYKEL

DROP-IN GAS COOKTOPS

CDV2 models

TABLE DE CUISSON SUSPENDUE

Modèles CDV2

**INSTALLATION GUIDE
GUIDE D'INSTALLATION
US CA**

⚠ WARNING!

If the information in this manual is not followed exactly, a fire or explosion may result causing property damage, personal injury or death.

Do not store or use gasoline or other flammable vapors and liquids in the vicinity of this or any other appliance.

NEVER use this appliance as a space heater to heat or warm the room. Doing so may result in carbon monoxide poisoning and overheating of the appliance.

WHAT TO DO IF YOU SMELL GAS

- Do not try to light any appliance.
- Do not touch any electrical switch.
- Do not use any phone in your building.
- Immediately call your gas supplier from a neighbor's phone. Follow the gas supplier's instructions.
- If you cannot reach your gas supplier, call the fire department.

Installation and service must be performed by a qualified installer, service agency or the gas supplier.

⚠ MISE EN GARDE!

Le fait de ne pas suivre toutes les instructions de ce manuel peut provoquer un feu ou une explosion causant des dommages matériels, des blessures ou la mort.

Ne rangez et n'utilisez pas de l'essence ou d'autres liquides et vapeurs inflammables à proximité de cet appareil ou de tout autre appareil.

N'utilisez JAMAIS cet appareil pour chauffer une pièce. Le non-respect de cette consigne peut causer un empoisonnement au monoxyde de carbone et une surchauffe de l'appareil.

QUE FAIRE SI VOUS DÉCELEZ UNE ODEUR DE GAZ

- Ne tentez d'allumer aucun appareil.
- Ne touchez à aucun interrupteur électrique.
- N'utilisez aucun téléphone dans l'édifice.
- Appelez immédiatement votre fournisseur de gaz en utilisant le téléphone d'un voisin. Suivez les consignes du fournisseur de gaz.
- S'il vous est impossible de joindre votre fournisseur de gaz, appelez le service d'incendie.

L'installation et l'entretien doivent être effectués par un installateur ou un technicien qualifié, ou par un employé de votre fournisseur de gaz.

A MESSAGE TO OUR CUSTOMERS

Thank you for selecting this Fisher & Paykel Professional Drop-In Cooktop. Because of this appliance's unique features we have developed this Manual. It contains valuable information on how to install, operate and maintain your new appliance for years of safe and enjoyable cooking.

To help serve you better, please fill out and submit your Product Registration by visiting our website at www.fisherpaykel.com and selecting "Customer Care" on the home page and then select "Product Registration". In addition, keep this manual handy, as it will help answer questions that may arise as you use your new appliance.

For your convenience, product questions can be answered by a Fisher & Paykel Customer Care Representative by phone: 1-888-936-7872, or by email: usa.customercare@fisherpaykel.com.

NOTE: Please write the Model and Serial Numbers on this page for references (located at the bottom of the chassis, right corner).

MODEL NUMBER _____ SERIAL NUMBER _____

NOTE: Inspect the product to verify that there is no shipping damage. If any damage is detected, call the shipper and initiate a damage claim. Fisher & Paykel is not responsible for shipping damage.

DO NOT discard any packing material (box, pallet, straps) until the unit has been inspected.



WARNING

Improper installation, adjustment alteration, service or maintenance can cause property damage, injury or death. Read the installation, operating and maintenance instructions thoroughly before using, installing or servicing this equipment.

Installation, electrical connections, and grounding must comply with all applicable codes. In the absence of local codes, the appliance should be installed in accordance with the National Fuel Gas Code, ANSI Z223-1 and National Electrical Code ANSI/NFPA 70.

Important!

Installer: Leave this manual with the customer.

Customer: Please retain this manual for future reference and for the local inspector's use.

SAFETY PRACTICES AND PRECAUTIONS	3
PROPER VENTILATION REQUIREMENTS	6
INSTALLATION INSTRUCTIONS	7
Preparing for the Installation	7
Cabinet Preparation	8
Product Dimensions	9
Cutout and Cabinetry Dimensions	10
Gas Hook Up	11
Leak Testing	11
Power Requirements	12
Required Grounding Method	13
INSTALLER FINAL CHECKLIST	14

When properly cared for, your new Fisher & Paykel Appliance has been designed to be a safe, reliable cooking appliance. When using this restaurant caliber appliance, use it with extreme care, as this type appliance provides intense heat and can increase the accident potential. Basic safety precautions must be followed when using kitchen appliances, including the following:

- Read the user guide thoroughly before using your new appliance. This will help to reduce the risk of fire, electric shock, or injury to persons.
- Begin by insuring proper installation and servicing. Follow these installation instructions. Be sure to have a qualified technician install and ground this appliance before using.
- Have the installer show you where the gas supply shut-off valve is located so you will know how and where to turn off the gas to the appliance.
- If you smell gas, the installer has not done a proper job of checking for leaks. Turn the gas to the appliance off and follow the instructions on the inside front cover of this manual. Do not attempt to find the leak yourself. This must be done by a qualified service technician.
- If by some chance a burner goes out and does not re-ignite and gas escapes, turn the gas to the appliance off and open a window or a door to let the room air out. Do not attempt to use the appliance until the gas has had time to dissipate.
- This appliance has been factory assembled for Natural Gas or Liquid Propane as indicated by model number.
- Do not repair or replace any part of this appliance unless it is specifically recommended in this manual. All other servicing should be referred to a qualified service technician.

WARNING:

The flame sizes at the lowest (SIM) and highest (HI) settings (ie the minimum and maximum rate of gas flow through the valve) were adjusted at the factory for optimum performance. You should not attempt to disassemble the burner and modify these original gas flow settings. Doing so is extremely dangerous and will void the warranty. If any modification to the factory settings is required, this should only be done by a qualified technician.

WARNING: Do not leave children alone

Children should not be left alone or unattended in an area where appliances are in use. They should never be allowed to turn knobs, push buttons, sit or stand on any part of an appliance.

WARNING:

Caution – Do not store items of interest to children on, above, or at the back of any appliance. Children could be seriously injured if they should climb onto or reach across the appliance to reach these items.

- Never store anything on the cooktop. Flammable materials can accidentally catch fire, plastic items may melt or ignite and other types of items could be ruined.
- Do not hang articles from any part of the appliance. Some fabrics are quite flammable and may catch on fire.
- If the appliance is near a window be certain the curtains do not blow over or near the cooktop burners; they could catch on fire.
- Never let clothing, pot holders, or other flammable materials come in contact with, or too close to any burner or burner grate until it has cooled. Fabric may ignite and result in personal injury.
- Be careful when reaching for items stored in cabinets above the appliance.

SAFETY PRACTICES AND PRECAUTIONS

- Be certain to use only dry pot holders; moist or damp pot holders on hot surfaces may cause burn injury from steam. Do not use a towel or other bulky cloth in place of pot holders. Do not let pot holders touch hot burners, or burner grates.
- For personal safety, wear proper apparel. Loose fitting garments or hanging sleeves should never be worn while using this appliance. Some synthetic fabrics are highly flammable and should not be worn while cooking.
- Do not use aluminum foil to line any part of the cooktop. Using a foil liner could result in a fire hazard.



WARNING:

This appliance is for cooking. Based on safety considerations, never use the cooktop to warm or heat a room.



WARNING:

Do not touch burners or areas near burners. Burners may be hot even though they are dark in color. Burners and areas near burners may become hot enough to cause burns. To avoid risk of burns and/or fire, keep loose clothing, potholders or any other flammable materials well clear of the burner flame. Do not touch or let clothing, potholders or other flammable materials contact burners or areas near burners until they have had sufficient time to cool. Among these areas are the burners and grates.

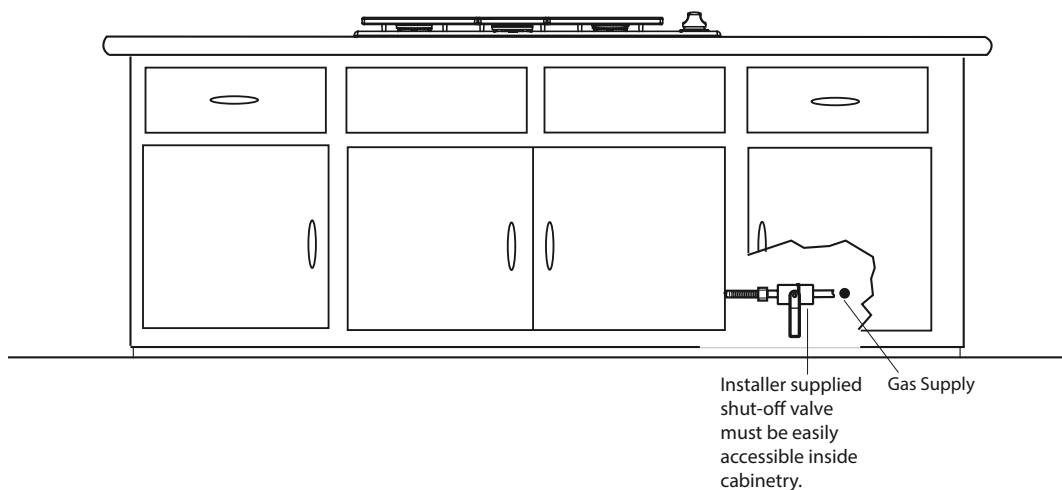
- **Never leave the cooktop unattended when using high flame settings.** A possible boil over could cause smoking or greasy spill overs may ignite. More importantly, if the burner flames are smothered by a severe boil over which affects the igniter, **the unburned gas will escape into the room, which would be extremely dangerous.**
- Only certain types of glass, heat-proof glass-ceramic, ceramic, earthen ware, or other glazed utensils are suitable for use on the open flame of the cooktop. Utensils that are not thermally heat safe may break with sudden temperature changes.
- Do not heat unopened food containers; a build up of pressure may cause the container to burst.
- During cooking, set the burner control so that the flame heats at the bottom of the pan and does not curl around the bottom edges of the pan. This could heat and/or melt the handles.
- Use proper pan size – Always use utensils that have flat bottoms large enough to cover the burner. The use of undersized utensils will expose a portion of the flame to direct contact and may result in ignition of clothing. Proper relationship of utensil to burner will also improve efficiency.
- To minimize burns, ignition of flammable materials and accidental spill overs, position handles of utensils inward so they do not extend over adjacent work areas, cooking areas, or the outside edges of the cooktop.
- Hold the handle of the pan to prevent movement of the utensil when stirring or turning food.
- **Grease is flammable.** Do not use water on grease fires. Turn OFF the burner, then smother the fire with baking soda or use a dry chemical or foam-type fire extinguisher. Let hot grease cool before attempting to handle it. Avoid letting grease deposits collect around the base of the cooktop burners. Clean after each use or boil over.
- Use splatter screens over pans when frying foods to minimize possible grease burns. Be sure not to use a flame that is too high.
- For proper lighting and performance of the cooktop burners, keep the burner ports clean. It may be necessary to clean these when there is a boil over or when the burner does not light, even though the electronic igniters click.
- Clean the cooktop with caution. Avoid steam burns; do not use a wet sponge or cloth to clean the cooktop while it is hot. Some cleaners produce noxious fumes if applied to a hot surface. Follow directions provided by the cleaner manufacturer.

SAFETY PRACTICES AND PRECAUTIONS

- Be sure all the cooktop controls are turned off and the appliance is cool before using any type of aerosol cleaner on or around the appliance. The chemical that produces the spraying action could, in the presence of heat, ignite or cause metal parts to corrode.
- Clean the ventilator hood and filters above the cooktop frequently so grease from cooking vapor does not accumulate.
- Turn the ventilator OFF in case of fire. The blower, if in operation, could unsafely spread the flames.
- Do not obstruct the flow of combustion or ventilation air to the appliance. Be sure a fresh air supply is available.
- For safety reasons and to avoid damage to the appliance never sit, stand, or lean on any part of the appliance.
- Service should only be done by authorized technicians. Service technicians must disconnect the power supply before servicing this appliance.
- California Proposition 65 – Warning: The burning of gas cooking fuel generates some by-products which are known by the State of California to cause cancer or reproductive harm. California law requires businesses to warn customers of potential exposure to such substances. To minimize exposure to these substances, always operate this unit according to the instructions contained in this booklet and provide good ventilation to the room when cooking with gas.

Important!

- ***This appliance must be installed by an authorized person (Warning: this appliance must be installed by a licensed plumber or gas fitter when within the Commonwealth of Massachusetts).***
- ***A manual shut-off valve must be installed in an accessible location in the gas line external to the appliance for the purpose of turning on or shutting off gas to the appliance. (In Massachusetts such shutoff devices should be approved by the Board of State Examiners of Plumbers & Gas Fitters.)***



6 PROPER VENTILATION REQUIREMENTS

US
CA

IMPORTANT INFORMATION:

! CAUTION!

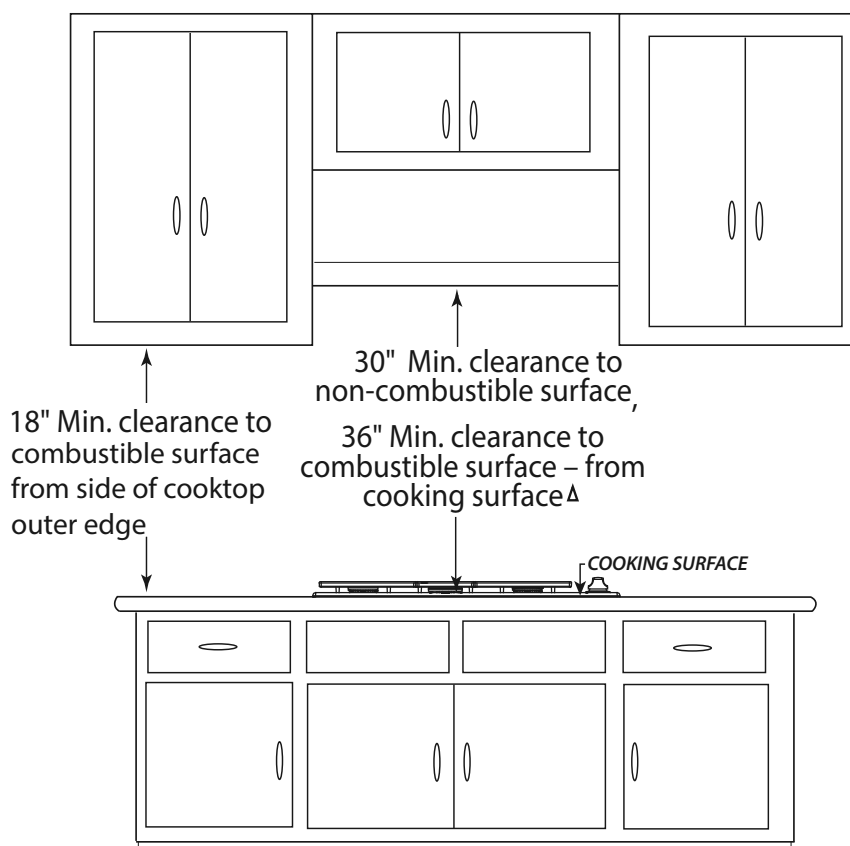
Ventilation hoods and blowers are designed for use with single wall ducting. However, some local building codes or inspectors may require double wall ducting. Consult local building codes and/or local agencies before starting, to ensure that hood and duct installation will meet local requirements. Hood blower speeds should be variable to reduce noise and loss of heated or air conditioned household air when maximum ventilation is not required. For best smoke elimination, the lower edge of the hood should BE INSTALLED A MINIMUM OF 30" TO A RECOMMENDED MAXIMUM OF 42" ABOVE THE COOKING SURFACE. If the hood contains any combustible materials (ie a wood covering) it must be a minimum of 36" above the cooking surface. Due to a high volume of ventilation air, a source of outside replacement air is recommended. This is particularly important for tightly sealed and insulated homes. A reputable heating and ventilating contractor should be consulted.

VENTILATION REQUIREMENTS: STANDARD COUNTER INSTALLATION RECOMMENDATIONS

HOOD: (19" Deep x Unit Width)

BLOWER: 36" COOKTOPS
min 550 CFM

30" COOKTOPS
min 550 CFM



Δ AS DEFINED IN THE "NATIONAL FUEL GAS CODE" (ANSI Z223.1, LATEST EDITION). THE HORIZONTAL SURFACES OF THE RANGE TOP (COOKTOP) TRIM MUST NOT BE BELOW COUNTERTOP LEVEL.

NOTE: SEE MANUFACTURER'S RECOMMENDATIONS FOR DUCTING SPECIFICATIONS.

INSTALLATION INSTRUCTIONS

PREPARING FOR THE INSTALLATION:

Be sure to read the section on the proper ventilation requirements before you begin.

- Step 1: Unpack the unit, the regulator, and remove all packing between all the burners, rings, and caps. Remove the grates from their boxes.
- Step 2: With the necessary tools and hardware ready, measure the distance from the back and sides of the countertop and cabinet to locate the position of the cooktop Cutout.
- Step 3: Make your Cutout according to the dimensions in section 'Cutout and Cabinetry Dimensions'. Square the cutout to the countertop.
- Step 4: Lower the cooktop into the countertop cutout, being careful not to damage the counter, inlet pipe threads, or the power cord of the cooktop.
- Step 5: Square the cooktop to the cutout and install the (4) retaining brackets onto the 8 holes for CDV2-365 and (2) retaining brackets onto 4 holes for CDV2-304 located at the bottom of the unit (See Figure 1 below). If the retaining brackets are not installed, the cooktop will not pull down to countertop.
- Step 6: Tighten the 4 preloaded thumb screws which will keep the unit secured. Do Not Over-tighten (See Figure 2 detail below).

NOTE:

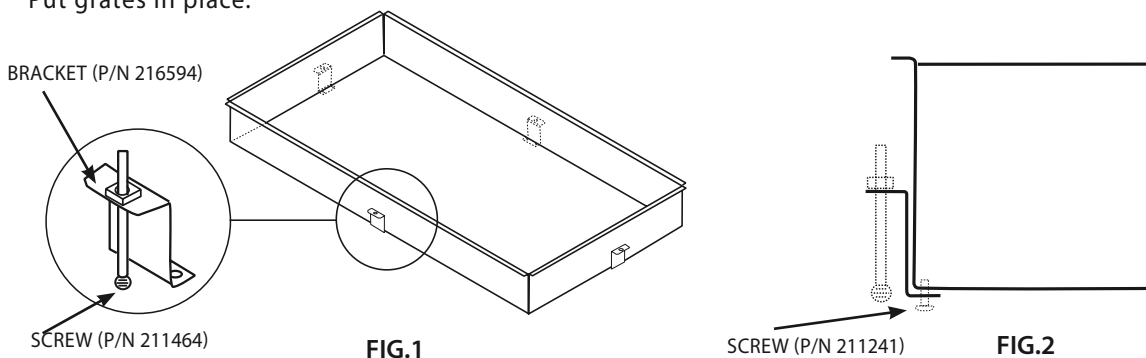
Some installations may not have adequate clearance at the front for the 'Z'-shaped retaining bracket. In those cases, use the 'L'-bracket provided. Fasten the bracket to the bottom of the cooktop chassis using one of the screw holes provided for the retaining brackets. Make sure the bracket extends out far enough to contact the inside of the cabinet face. While pushing down on the front edge of the cooktop from above, attach the bracket to the cabinet. This step will insure that the edge of the cooktop is flush with the counter surface. Plug the adjacent unused hole in the cooktop chassis with a screw. See Figure 3.

- Step 7: Install the regulator with the arrow in the direction of the gas flow (towards the cooktop) using a sealant on the male pipe threads. Put burner rings and burner caps in place.
- Step 8: Connect the gas line to the unit. Refer to section 'Gas hook-up'.
- Step 9: Open the manual valve to let the gas flow. Check for gas leak.

Important!

Leak-testing of the appliance shall be conducted according to the manufacturer's instructions. See section 'Leak testing' for instructions.

- Step 10: Plug the unit into a wall outlet.
- Step 11: Turn the front burner knob on first and apply a match to the burner until the gas lights, being cautious not to burn your hand or other parts of your body. When the gas is first activated, there is air present in the gas lines. The match applied to the burner makes it easier and safer to clear the air/gas mixture. Use Caution to avoid burn injury.
- Step 12: Put grates in place.



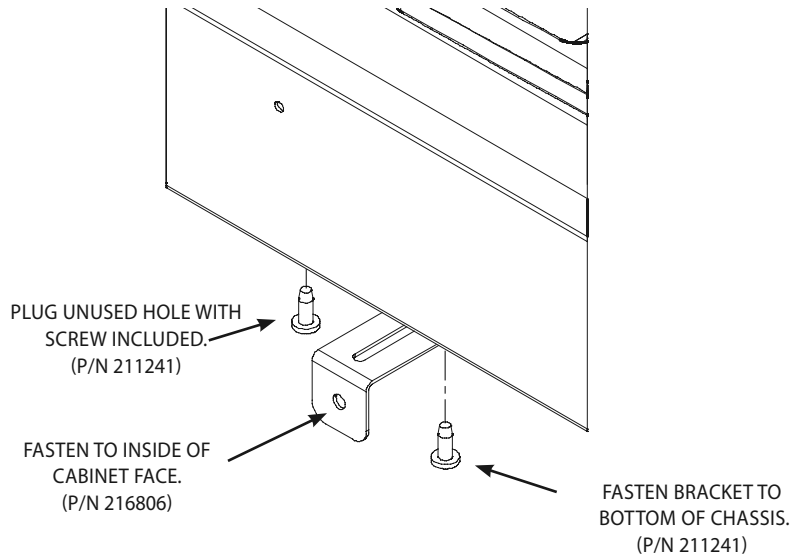


FIG. 3

CABINET PREPARATION

For a snug and secure fit, it is critical that the cabinet cutout matches the cutout dimensions provided for the cooktop. See the relevant illustrations in section 'Cutout and Cabinetry Dimensions' for specifications.

- For proper performance, the Drop-In Cooktop must be level. To achieve a flush fit of the cooktop, it will be necessary to have a flat countertop (front to back and left to right).
- Be sure to check local building codes for the proper method of installation. Local codes may vary. Installation, electrical connections, and grounding must comply with all applicable codes.
- To eliminate the risk of burns or fire by reaching over heated surface units, cabinet storage space located above the surface units should be avoided. If cabinet storage is to be provided, the risk can be reduced by installing a rangehood that projects horizontally a minimum of 5 inches beyond the bottom of the overhead cabinets.
- The maximum depth of overhead cabinets installed above the cooktop or on either side of a ventilation hood is 13".

NOTE:

*The cooktop must be completely removed from the cutout for service.
The cooktop chassis is not supported by the counter.*

*Instructions for removal for service are included in the service summary,
attached to the bottom of the cooktop chassis.*

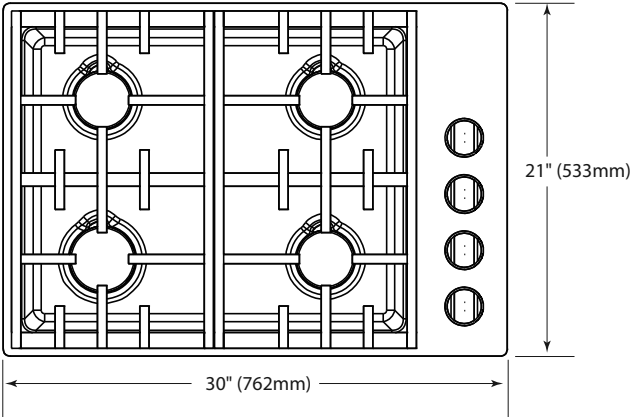
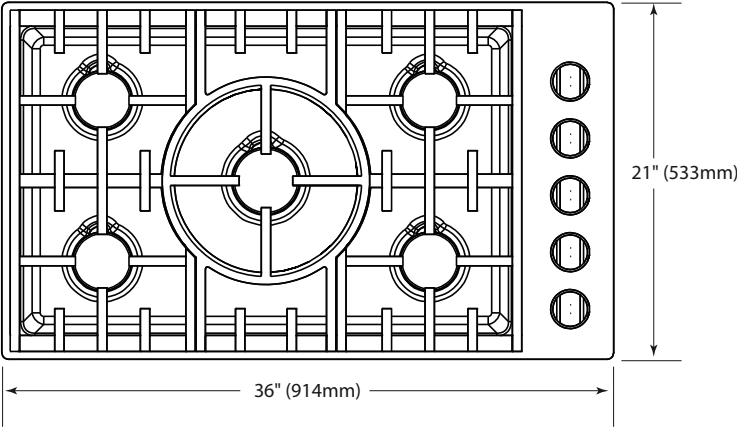
PRODUCT DIMENSIONS

CDV2-365 models

CDV2-304 models

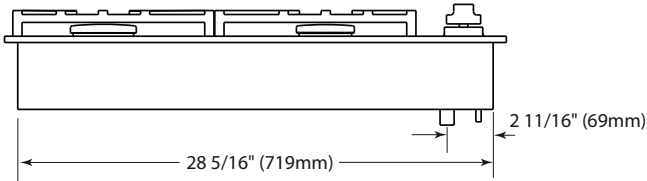
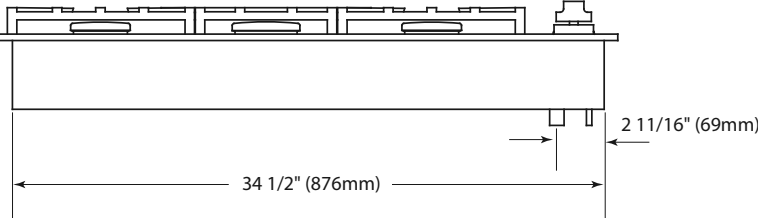
Top View

Top View



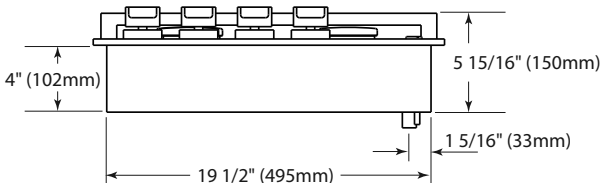
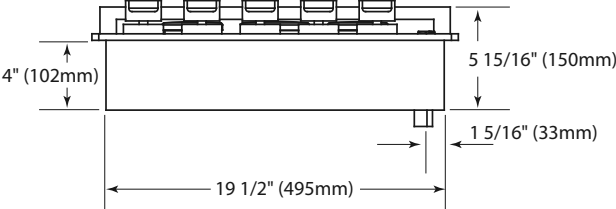
Front View

Front View



Right Side View

Right Side View

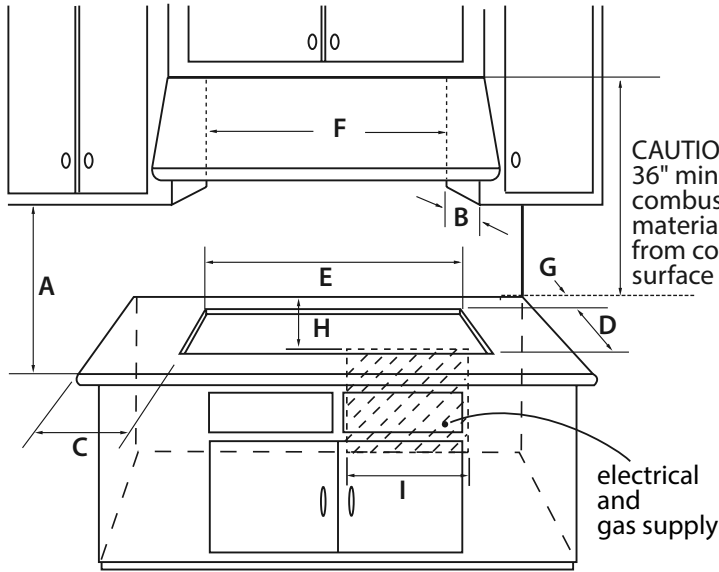


10 INSTALLATION INSTRUCTIONS

US
CA

CUTOUT AND CABINETS DIMENSIONS

WHEN INSTALLING WITH A RANGEHOOD



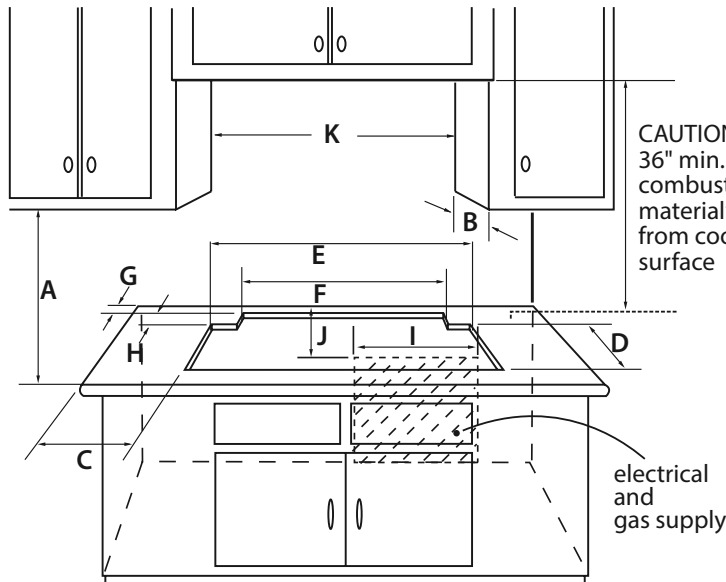
- A) 18" MIN.
- B) 13" MAX.
- C) 12" MIN. TO COMBUSTIBLES FOR ALL MODELS
- D) 19-3/4" DEPTH
- E) 34-3/4" FOR CDV2-365 MODELS
28-5/8" FOR CDV2-304 MODELS
- F) 36" HOOD WIDTH MIN. FOR CDV2-365 MODELS
30" HOOD WIDTH MIN. FOR CDV2-304 MODELS
- G) 7" TO COMBUSTIBLES FOR ALL MODELS
- H) 5"
- I) 18"

*** Non-combustible surfaces**

as defined in 'National Fuel Gas Code' (ANSI Z223.1, Current Edition). Clearances from non-combustible materials are not part of the ANSI Z21.1 scope and are not certified by UL. Clearances must be approved by the local codes and/or by the local authority having jurisdiction.

Note: See manufacturer's recommendations for ducting specifications.

WHEN INSTALLING WITH A Fisher & Paykel DD-36 OR DD30 DOWNDRAFT VENTILATION SYSTEM



- A) 18" MIN.
- B) 13" MAX.
- C) 12" MIN. TO COMBUSTIBLES FOR ALL MODELS
- D) 19-3/4" DEPTH
- E) 34-3/4" WIDTH FOR CDV2-365 MODELS
28-5/8" WIDTH FOR CDV2-304 MODELS
- F) 33-1/2" WIDTH FOR DD36
27-1/2" WIDTH FOR DD30
- G) 1/2" MIN. TO COMBUSTIBLES FOR ALL MODELS
- H) 2-5/8"
- I) 9"
- J) 26-1/2"
- K) MIN. 36" FOR CDV2-365 MODELS
MIN. 30" FOR CDV2-304 MODELS

*** Non-combustible surfaces**

as defined in 'National Fuel Gas Code' (ANSI Z223.1, Current Edition). Clearances from non-combustible materials are not part of the ANSI Z21.1 scope and are not certified by UL. Clearances must be approved by the local codes and/or by the local authority having jurisdiction.

Notes:

- See manufacturer's recommendations for ducting specifications.
- The horizontal surfaces of the cooktop trim must NOT BE below countertop level.
- When installing a 30" Cooktop with a Downdraft (DD-30SS), a minimum of a 26" cabinetry depth is required.

GAS HOOK UP

- The gas supply connections should be made by a qualified technician and in accordance with local codes and ordinances.
- Before connecting the appliance to the gas supply, make sure that the gas supply is turned off at the wall valve.
- See the diagrams further below for gas connection details.
- The cooktop and gas pressure regulator are shipped from the factory set for Natural gas or LP (Propane), depending on the specific model ordered. Check the gas type label on the underside of the chassis. Before proceeding any further, check the type of gas supplied to the site of installation and verify that the cooktop is compatible with it. If the cooktop is not set for the type of gas supplied to the site of installation, return it to the dealer.
- The cooktop is designed to operate on:

	Natural gas	LP (Propane)
Manifold pressure	4.0" W.C.	10.0" W.C.
Incoming line pressure	6.0" —9.0" W.C.	11.0—14.0" W.C.

Check the rating label on the underside of the cooktop chassis.

- The supplied gas pressure regulator can withstand a maximum incoming line pressure of 14.0" W.C. If the line pressure is higher, a step-down regulator will be required.
- A gas pressure regulator must be used. Never connect an unregulated gas line to this cooktop. Failure to use a regulator can result in damage or personal injury.
- For checking the regulator setting, the incoming line pressure must be at least 5" W.C. for Natural gas and 11.0" W.C for LP (Propane), ie at least 1.0" W.C. higher than the manifold pressure.
- A manual shut-off valve (supplied by the installer) must be installed in an accessible location in the gas line external to the appliance for the purpose of turning on or shutting off gas to the appliance. (In Massachusetts, such shut-off devices should be approved by the Board of State Examiners of Plumbers & Gas Fitters).
- The appliance and its individual shut-off valve must be disconnected from the gas supply piping system during any pressure testing of that system at test pressures in excess of ½ psi (3.5 kPa).
- The appliance must be isolated from the gas supply piping system by closing its individual shut-off valve during any pressure testing of the gas supply piping system at test pressures equal to or less than ½ psi (3.5 kPa).
- The flex line for the gas supply must be new, made of metal, and approved for appliance use by a certifying agency (CSA, CGA, or UL). Never use an old hose or a hose made of rubber or other synthetic material, as the heat may cause the hose to melt and develop leaks.
- The flex line for the gas supply must be 1/2" NPT, with a minimum diameter of 5/8".

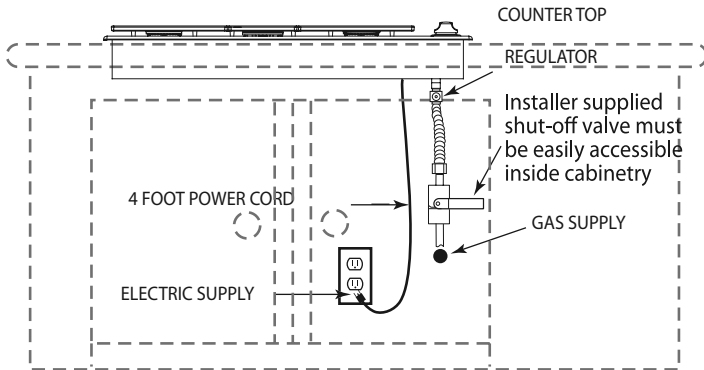
LEAK TESTING

- After final gas connection is made, turn on manual gas valve and test all connections in gas supply piping for gas leaks with a soapy water solution. During this test all appliance gas valves have to be closed.
- In order to avoid property damage or serious personal injury, never use a lighted match or open flame. If a leak is present, tighten joint or unscrew, apply more joint compound, tighten again and retest connection for leak.

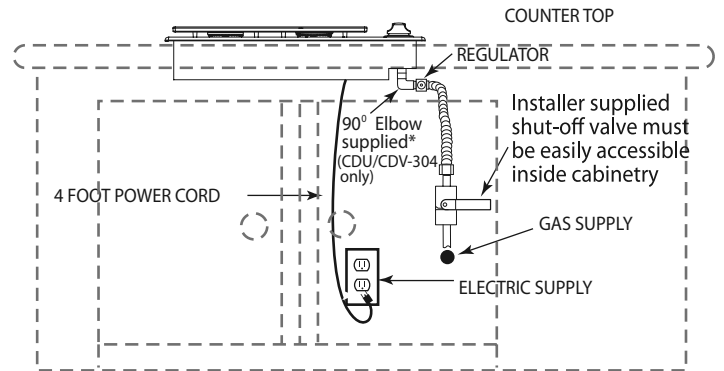
12 INSTALLATION INSTRUCTIONS

US
CA

GAS CONNECTION FOR CDV2-365 models



GAS CONNECTION FOR CDV2-304 models



* Required when unit is installed over Wall Oven

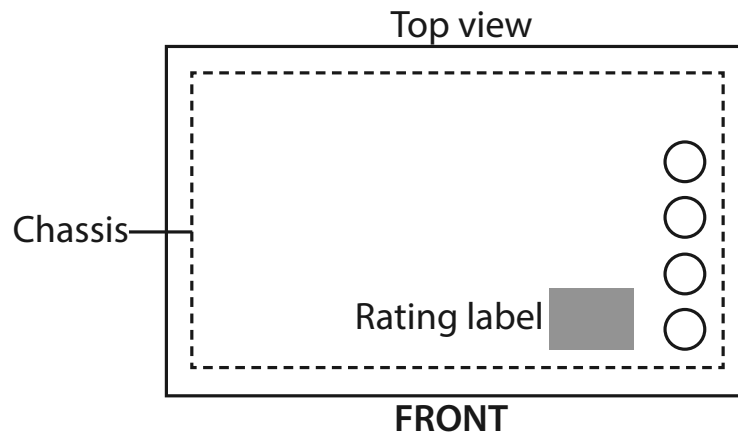
POWER REQUIREMENTS:

120 VAC, 60 Hz., single phase.

CDV2-365 & CDV2-304 models: 0.10 Amp. Max.

(Use 15 Amp. circuit minimum)

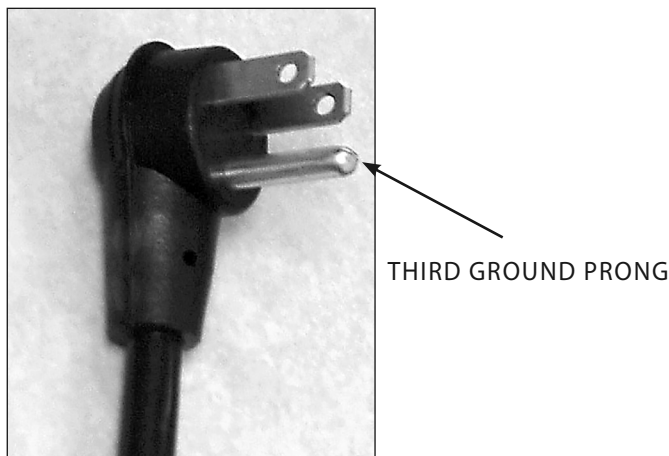
- Always disconnect the electric supply cord from the wall outlet or turn off the electricity at the service disconnect before servicing this appliance.
- Observe all governing codes and ordinances when grounding, in the absence of which, observe National Electrical Code ANSI/NFPA No. 70-1990.
- Wiring diagrams are included in the service summary, attached to the bottom of the cooktop chassis.
- The rating label is located on the bottom of the cooktop chassis, towards the front on the right-hand side.



INSTALLATION INSTRUCTIONS

REQUIRED GROUNDING METHOD:

This appliance is factory equipped with a power supply cord with a three-prong grounding plug (with polarized parallel blades) It must be plugged into a mating grounding-type receptacle, connected to a correctly polarized 120 Volt circuit. If the circuit does not have a grounding type receptacle, it is the responsibility and obligation of the installer or user to have the existing receptacle changed to a properly grounded and polarized receptacle in accordance with all applicable local codes and ordinances by a qualified electrician. In the absence of local codes and ordinances, the receptacle replacement shall be in accordance with the National Electrical Code. **THE THIRD GROUND PRONG SHOULD NOT, UNDER ANY CIRCUMSTANCES, BE CUT OR REMOVED.** The electrical supply must be a 120 volt, 60 Hz single phase, 15 AMP circuit. The power receptacle must be a NEMA 5-15R device to accept the three prong plug supplied with the unit.



INSTALLER FINAL CHECKLIST

GENERAL

- Placement of Unit.
- Specified clearance maintained to cabinet surfaces.
- Unit Level- front to back, side to side.
- All packaging material and tie straps removed.

ELECTRICAL:

- Receptacle with 15 ampere circuit protection is provided for service cord connection.
- Adequate ground connection.

GAS SUPPLY:

- Connection: 1/2" NPT flex line with a minimum 5/8" diameter.
- The pressure regulator which is connected to the manifold is set for 4.0" W.C. for Natural Gas or 10" W.C. for LP.
- Manual gas shut-off valve installed in an accessible location.
- Unit tested and free of gas leaks.

OPERATION:

- All internal packing materials are removed, ie below grates, around knobs, etc.
- Knobs turn freely and correctly.
- Each burner lights satisfactorily, both individually and with other burners operating.
- Low flame operation verified.
- All burner caps, burner rings and burner bases correctly seated in position, level, and do not rock or slide.
- Burner grates correctly positioned, level, and do not rock.

FISHER & PAYKEL

TABLE DE CUISSON SUSPENDUE



Modèles CDV2

GUIDE D'INSTALLATION

CA

Nous vous remercions d'avoir choisi cette table de cuisson suspendue professionnelle Fisher & Paykel. Nous avons conçu ce Manuel pour expliquer ses fonctions uniques. Il contient des informations extrêmement utiles sur la façon d'installer, de faire fonctionner et d'entretenir votre nouvel appareil de cuisson. Vous pourrez ainsi en profiter pendant des années en toute sécurité.

Aidez-nous à mieux vous servir en remplissant l'enregistrement de produit et en nous la soumettant depuis notre site Web à www.fisherpaykel.com. Sélectionnez « Customer Care » sur la page d'accueil puis « Product Registration ». De plus, gardez ce manuel à portée de main afin de rapidement trouver réponse à vos questions durant l'utilisation de votre nouvel appareil.

Si vous avez des questions au sujet de notre produit, communiquez avec Centre de service à la clientèle Fisher & Paykel par téléphone : 1-888-936-7872, ou email : usa.customercare@fisherpaykel.com

REMARQUE : Veuillez noter les numéros de modèle et de série sur cette page pour information (bas du châssis, coin droit)

NUMÉRO DE MODÈLE _____ NUMÉRO DE SÉRIE _____

REMARQUE : Inspecter le produit pour vérifier qu'il n'a pas été endommagé pendant l'expédition. En cas de dommages, contacter le transporteur et entamer une déclaration pour dommage. Fisher & Paykel n'est en aucun cas responsable des dommages pendant l'expédition.

Ne pas jeter le matériau d'emballage (boîte, palette, sangles) avant d'avoir inspecté l'unité.



AVERTISSEMENT

Toute installation, ajustement, altération ou entretien incorrect peut causer des dommages matériels, des blessures ou la mort. Veuillez lire soigneusement ces instructions d'installation, d'utilisation et d'entretien avant d'utiliser, installer ou effectuer l'entretien de cet appareil.

L'installation, les connexions électriques et la mise à la terre doivent être conformes à tous les codes en vigueur. En l'absence de tels codes, l'appareil doit être installé conformément à la norme ANSI Z223.1 du National Fuel Gas Code et la norme 70 ANSI/NFPA du National Electrical Code (Code national de l'électricité).

Important!

Installateur: Laissez ce manuel avec le client.

Client: Veuillez conserver ce manuel à titre de référence et pour l'inspecteur local.

TABLE DES MATIÈRES

MESURES DE SÉCURITÉ ET DE PRÉCAUTION	18
EXIGENCES EN MATIÈRE DE VENTILATION	21
INSTRUCTIONS D'INSTALLATION	22
Préparation en vue de l'installation	22
Préparation du boîtier	23
Dimensions du produit	24
Dimensions de découpe et de boîtier	25
Branchement du gaz	26
Vérification de l'absence de fuite	26
Besoins en alimentation	27
Méthode de mise à la terre requise	28
LISTE DE CONTRÔLE FINALE DE L'INSTALLATEUR	29

Votre nouvel appareil Fisher & Paykel fonctionnera de manière sûre et fiable pendant des années si vous en prenez soin correctement. Faites extrêmement attention quand vous utilisez cet appareil de cuisson de niveau professionnel car il dégage une chaleur intense et peut augmenter les risques d'accidents. Vous devez respecter des consignes de sécurité élémentaires durant l'utilisation de cet appareil, dont celles-ci :

- Veuillez lire attentivement le guide d'utilisation avant d'utiliser votre nouvel appareil. Ceci vous permettra de réduire les risques d'incendie, de chocs électriques ou de blessures.
- Commencez par vous assurer que l'installation et l'entretien sont effectués correctement. Suivez les instructions d'installation fournies avec cet appareil. Confiez l'installation et la mise à la terre de l'appareil à un technicien qualifié avant de l'utiliser.
- Demandez-lui de vous montrer l'emplacement du robinet d'arrêt de l'alimentation de gaz afin de savoir comment couper l'arrivée de gaz.
- Si vous sentez une odeur de gaz, cela signifie que l'installateur n'a pas vérifié correctement s'il y avait des fuites. Coupez le gaz à l'appareil et suivez les instructions sur la couverture intérieure de ce manuel. N'essayez pas de trouver la fuite vous-même. Ceci doit être fait par un technicien qualifié de service seulement.
- Si jamais un brûleur s'éteint sans se rallumer et laisse s'échapper le gaz, coupez le gaz à l'appareil et ouvrez la fenêtre ou la porte pour évacuer l'air. N'essayez pas d'utiliser l'appareil avant que le gaz n'ait eu le temps de se dissiper.
- Cet appareil électroménager a été monté en usine pour être utilisé avec du gaz naturel ou propane tel qu'indiqué par le numéro de modèle.
- Ne réparez pas ni ne remplacez aucune pièce de cet appareil, sauf indication contraire du manuel. Tout autre travail d'entretien doit être confié à un technicien qualifié.



AVERTISSEMENT :

Les tailles de flamme aux réglages plus faible (SIM) et plus élevé (HI) (c.-à-d. le débit minimum et maximum d'écoulement de gaz par la soupape) ont été réglées en usine pour un rendement optimale. Vous devriez ne jamais essayer de démonter le brûleur et de modifier ces arrangements originaux d'écoulement de gaz. Faire ainsi est extrêmement dangereux et videra la garantie. Si n'importe quelle modification aux arrangements d'usine est exigée, ceci devrait seulement être fait par un technicien qualifié.



AVERTISSEMENT : Ne laissez jamais les enfant sans surveillance

Les enfants ne doivent pas être laissés seuls ou sans surveillance dans un endroit où est utilisé ce type d'appareil. Il ne faut jamais les laisser tourner ou enfoncer des boutons, ni s'asseoir ou se tenir debout sur l'appareil.



AVERTISSEMENT :

Attention – ne rangez pas d'objets pouvant attirer les enfants sur ou autour de la table de cuisson. Les enfants pourraient se blesser sérieusement s'ils grimpent sur l'appareil ou s'étirent par dessus pour atteindre un objet particulier.

- **Ne rangez jamais rien sur la table de cuisson.** Des matériaux inflammables pourraient prendre feu accidentellement, des éléments en plastique pourraient fondre ou s'enflammer et d'autres types d'objets pourraient être détruits.
- Ne suspendez aucun objet sur aucune partie de l'appareil. Certains matériaux sont très inflammables et pourraient prendre feu.
- Si l'appareil se trouve près d'une fenêtre, assurez-vous que les rideaux sont suffisamment éloignés des brûleurs de la table de cuisson; ils pourraient prendre feu sinon.
- Soyez prudent lorsque vous retirez des articles des armoires surplombant l'appareil.

- Ne laissez jamais des vêtements, gants ou autres matériaux inflammables en contact ou à proximité d'un brûleur ou d'une grille de brûleur tant que ceux-ci n'ont pas refroidi. Les tissus peuvent s'enflammer et causer des blessures.
- Utilisez seulement des gants isolants secs : les gants humides sur des surfaces chaudes peuvent provoquer des brûlures causées par la vapeur. N'utilisez pas de serviette ou de chiffon épais à la place de gants isolants. Ne laissez pas les gants isolants toucher les brûleurs ou leurs grilles.
- Pour assurer votre propre sécurité, habillez-vous de façon appropriée. Ne portez jamais de vêtements ou de manches lâches lorsque vous utilisez l'appareil. Certains tissus synthétiques sont extrêmement inflammables et ne doivent pas être portés pendant la cuisson.
- Ne recouvrez aucune partie de la table de cuisson avec du papier aluminium. L'utilisation de papier aluminium peut créer un risque d'incendie.

AVERTISSEMENT :

cet appareil est destiné à la cuisson. Pour des raisons de sécurité, n'utilisez jamais la table de cuisson pour chauffer une pièce.

AVERTISSEMENT :

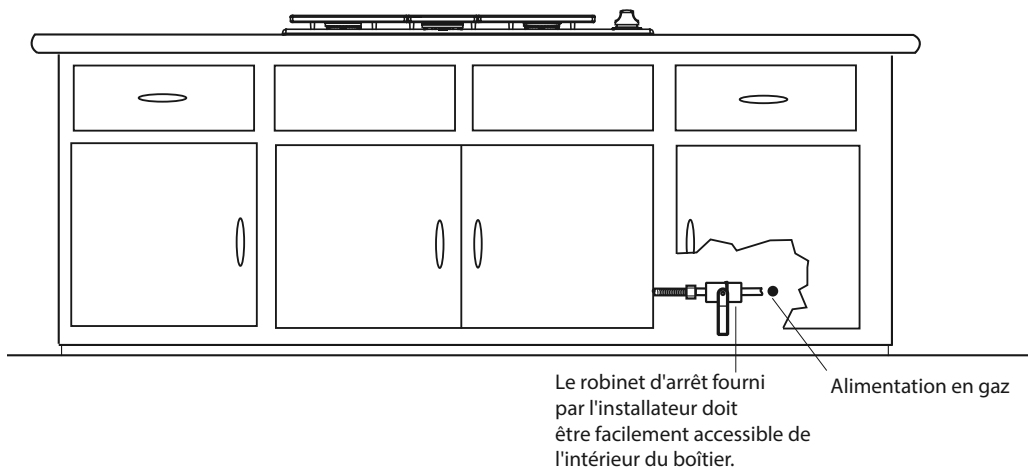
Ne touchez pas les brûleurs ou les zones les avoisinant. Les brûleurs pourraient être brûlants même s'ils présentent une couleur foncée. Les brûleurs et les zones qui les entourent peuvent devenir suffisamment chauds pour provoquer des brûlures. Pour éviter tout risque de brûlure et/ ou d'incendie, conservez tout vêtement ample, poignées ou autre matières inflammables loin de la flamme du brûleur. Ne touchez pas les brûleurs ou les zones les avoisinant et ne laissez rien les toucher jusqu'à ce qu'ils soient suffisamment refroidis. On retrouve dans cette zone les brûleurs et les grilles.

- **Ne laissez jamais la table de cuisson sans surveillance lorsque vous cuisinez à flamme haute.** Un débordement par bouillonnement pourrait produire de la fumée ou un déversement graisseux pourrait prendre feu. Et, surtout, si les flammes des brûleurs sont étouffées par un débordement important affectant l'allumeur, **le gaz non brûlé s'échappera dans la pièce, ce qui serait extrêmement dangereux.**
- Seuls certains types d'ustensiles en verre, vitrocéramique calorifugée, céramique, poterie ou émaillés sont appropriés pour être utilisés sur la flamme vive de la table de cuisson. Les ustensiles non thermorésistants peuvent se briser à la suite de changements de température soudains.
- Ne chauffez pas de contenant de nourriture fermé car la pression pourrait s'accumuler et le faire exploser.
- Durant la cuisson, réglez la commande du brûleur de sorte que la flamme ne chauffe que le fond du récipient et ne lèche pas ses rebords inférieurs. Cela pourrait chauffer ou faire fondre les poignées.
- Utilisez des casseroles d'une taille appropriée — Servez-vous toujours d'ustensiles à fond plat suffisamment larges pour couvrir les brûleurs. L'utilisation d'ustensiles trop petits risque d'offrir un contact direct à la flamme et de mettre le feu aux vêtements. De plus, l'utilisation d'ustensiles adaptés à l'élément chauffant améliore le rendement de l'appareil.
- Afin de réduire le risque de brûlures, d'allumage de matériaux inflammables et de déversement accidentel, tournez les poignées des ustensiles vers l'intérieur afin qu'elles ne surplombent pas les surfaces de travail adjacentes, les zones de cuisson et les bords extérieurs de la table de cuisson.
- Tenez la poignée du récipient pour empêcher tout mouvement de l'ustensile lorsque vous retournez ou remuez la nourriture.
- **La graisse est inflammable.** Ne versez pas d'eau sur les feux de graisse. ÉTEIGNEZ le brûleur, puis étouffez le feu avec du bicarbonate de soude ou à l'aide d'un extincteur à poudre ou à mousse. Laissez toute graisse chaude refroidir avant d'essayer de la manipuler. Évitez de laisser la graisse s'accumuler autour de la base des brûleurs de la table de cuisson. Nettoyez après chaque utilisation ou déversement.

- Recouvrez les poêles à frire de grilles anti-éclaboussures pour éviter les risques de brûlures à l'huile. Prenez soin de ne pas utiliser une flamme trop haute.
- Pour assurer un bon allumage et une bonne performance des brûleurs de la table de cuisson, gardez leurs ports dans un état propre. Il peut s'avérer nécessaire de nettoyer ceux-ci en cas de débordement ou lorsque le brûleur ne s'allume pas, même si les allumeurs électroniques cliquent.
- Nettoyez la table de cuisson avec précaution. Évitez de vous brûler à la vapeur : n'utilisez pas d'éponge ou de chiffon mouillé pour nettoyer l'appareil alors qu'il est encore chaud. Certains produits de nettoyage produisent des vapeurs nocives s'ils sont appliqués à une surface chaude. Suivez le mode d'emploi fourni par le fabricant du produit de nettoyage.
- Assurez-vous que les boutons de l'appareil sont fermés et que celui-ci est froid avant d'utiliser des nettoyants aérosol à proximité. L'élément chimique qui produit le jet de vaporisation peut, en présence de chaleur, s'enflammer ou provoquer la corrosion des parties métalliques.
- Nettoyez fréquemment la hotte et les filtres de ventilation surplombant la table de cuisson afin d'empêcher toute accumulation de graisse provenant des vapeurs de cuisson.
- ÉTEIGNEZ le ventilateur en cas d'incendie. Si la souffleuse est en marche, elle pourrait en effet répandre les flammes.
- Ne bloquez pas la circulation de l'air de combustion ou de ventilation. Assurez toujours un apport d'air frais.
- Pour des raisons de sécurité et pour ne pas endommager l'appareil, évitez de vous asseoir, de vous tenir debout ou de vous appuyer contre la surface de cuisson.
- Les réparations doivent être effectuées par des techniciens agréés uniquement. Ceux-ci doivent débrancher le bloc d'alimentation avant de travailler sur l'appareil.
- Avertissement concernant la proposition 65 de la Californie : l'incinération de gaz de cuisson génère des sous-produits considérés par l'État de Californie comme pouvant causer le cancer ou des malformations congénitales. Les lois de Californie exigent que les entreprises avertissent leurs clients qu'ils risquent d'être exposés à de telles substances. Pour minimiser l'exposition à ces substances, faites toujours fonctionner l'appareil conformément aux instructions contenues dans ce manuel et assurez une bonne ventilation lorsque vous cuisinez au gaz.

Important!

- *Cet appareil doit être installé par un technicien autorisé (mise en garde : dans les limites de l'État du Massachusetts, cet appareil doit être installé par un monteur d'installation au gaz ou plombier auto risé).*
- *Vous devez installer un robinet d'arrêt manuel dans un endroit accessible de la canalisation externe de l'appareil pour pouvoir ouvrir ou couper l'alimentation en gaz à l'appareil (au Massachusetts, de tels dispositifs doivent être approuvés par le Board of State Examiners of Plumbers & Gas Fitters).*



RENSEIGNEMENTS IMPORTANTS :

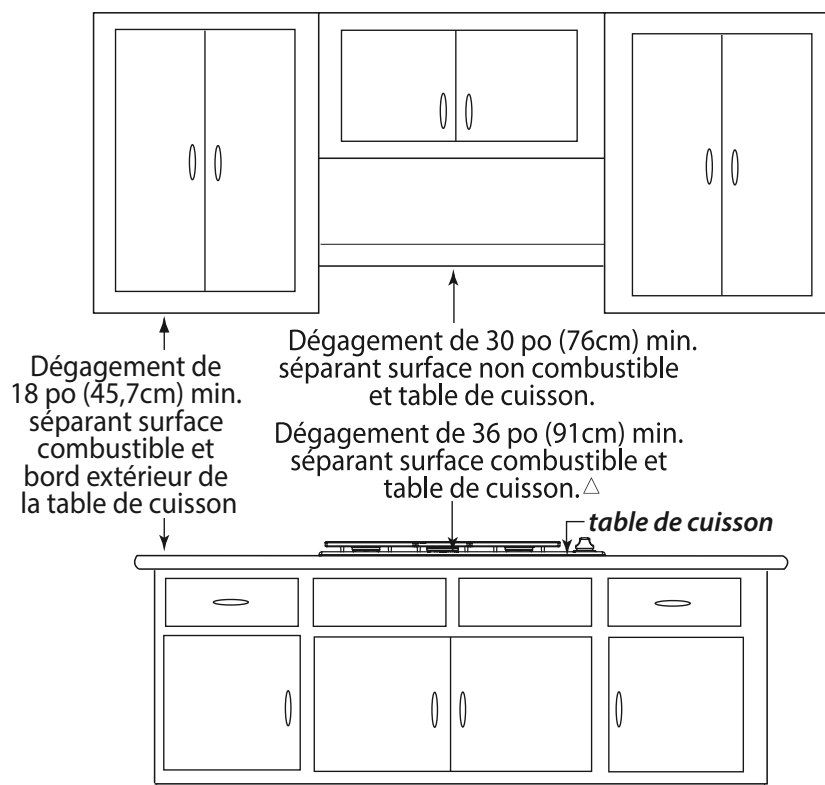
⚠ MISE EN GARDE :

les hottes et souffleuses de ventilation sont conçues pour être utilisées avec des conduits à paroi simple. Toutefois, il se peut que certains codes du bâtiment locaux ou des inspecteurs exigent des parois doubles. Consultez les codes du bâtiment ou organismes locaux avant de commencer afin de vous assurer que la hotte et les conduits sont conformes aux normes en vigueur. La vitesse de la souffleuse de la hotte doit être variable afin de réduire le niveau de bruit et la perte d'air chauffé ou conditionné de la pièce lorsqu'une ventilation maximum n'est pas requise. Pour évacuer la fumée de la meilleure façon, le bord inférieur de la hotte doit être installé à un minimum de 76 cm (30 po) et un maximum recommandé de 106,7 cm (42 po) au-dessus de la surface de cuisson. Si la hotte contient des matériaux combustibles (par ex. un revêtement en bois), elle doit être placée à au moins 91 cm (36 po) au-dessus de la surface de cuisson. À cause du volume élevé d'air de ventilation, il est recommandé d'assurer une source d'air frais provenant de l'extérieur. Ceci est particulièrement important pour les résidences très isolées. Consultez un spécialiste en chauffage et aération réputé.

EXIGENCES EN MATIÈRE DE VENTILATION : RECOMMANDATIONS CONCERNANT L'INSTALLATION D'UN COMPTOIR STANDARD

HOTTE : (profondeur 19 po (48,0 cm) x largeur de l'appareil)

SOUFFLEUSE :	<u>TABLE DE CUISSON 36 po (91 cm)</u>	<u>TABLE DE CUISSON 30 po (76 cm)</u>
	min. 16 m ³ /min	min. 16 m ³ /min



Δ Tel que défini dans le « National Fuel Gas Code » (norme ANSI Z223.1 dernière édition)
Le niveau des surfaces horizontales de la garniture de la cuisinière (table de cuisson) ne doit pas être inférieur au niveau du comptoir.

REMARQUE :

Voir les recommandations du fabricant en ce qui concerne les dimensions des conduits.

PRÉPARATION EN VUE DE L'INSTALLATION :

Lisez attentivement la section concernant les exigences en matière de ventilation avant de commencer. Reportez-vous à la section de préparation du boîtier avant de pratiquer la DÉCOUPE.

- Étape 1: Déballez l'appareil et le régulateur et enlevez tout l'emballage des brûleurs, des couronnes et des capuchons. Retirez les grilles de leur boîtes.
- Étape 2: À l'aide des outils et matériel nécessaires à portée de main, mesurez la distance entre l'arrière et les côtés du comptoir et du boîtier afin de déterminer l'emplacement de la découpe de la table de cuisson.
- Étape 3: Effectuez la découpe selon les dimensions indiquées à la section 'Dimensions de découpe et de boîtier'. Aligned la découpe contre le comptoir.
- Étape 4: Abaissez la table de cuisson dans la découpe du comptoir en prenant soin de ne pas endommager le comptoir, le filetage du tuyau d'admission ou le cordon d'alimentation de la table de cuisson.
- Étape 5: Aligned la table de cuisson contre la découpe et installez les (4) supports de retenue sur les 8 trous (modèles CDV2-365 ou les (2) supports de retenue sur les 4 trous (modèles CDV2-304) situés au bas de l'appareil (voir Figure 1 ci-dessous). Si des supports de retenue ne sont pas installés, la table de cuisson ne sera pas pressée contre le comptoir.
- Étape 6: Serrez les 4 vis préinstallées pour bien fixer l'appareil. Évitez de trop serrer (voir Figure 2 ci-dessous).

REMARQUE :

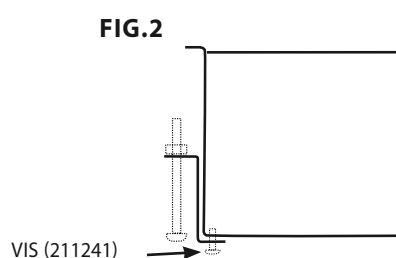
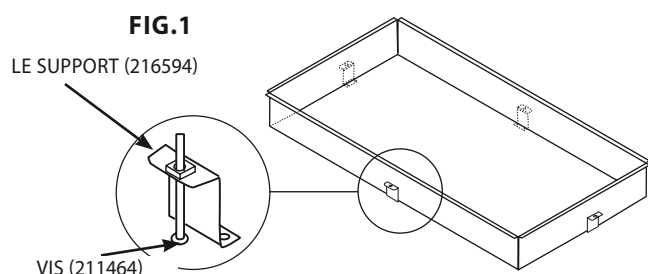
Il se peut que certaines installations ne disposent pas d'un dégagement suffisamment à l'avant pour le support de retenue en forme de Z. Dans ce cas, utilisez le support en L fourni. Fixez le support au bas du châssis de la table de cuisson à l'aide d'un des trous à vis prévus à cet effet. Assurez-vous que le support est suffisamment étendu pour qu'il touche l'intérieur de la face de l'armoire. Fixez le support à l'armoire. Introduisez une vis dans le trou adjacent inutilisé du châssis de la table de cuisson. Voir la figure 3.

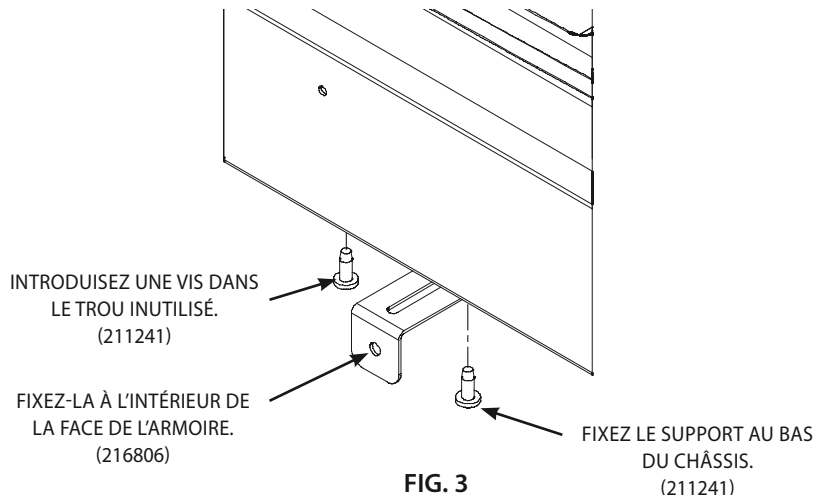
- Étape 7: Installez le régulateur, flèche orientée dans le sens du débit de gaz (pointant vers la table de cuisson), et couvrez le filetage du tuyau mâle d'un enduit d'étanchéité. Mettez en place les couronnes et capuchons des brûleurs.
- Étape 8: Branchez la conduite de gaz à l'appareil. Reportez-vous à la section 'Branchement du gaz' pour les instructions.
- Étape 9: Tournez le robinet pour laisser passer le gaz. Regardez s'il y a des fuites de gaz.

Important!

La vérification des fuites doit être effectuée conformément aux instructions du fabricant. Voir la section 'Vérification de l'absence de fuite' pour les instructions.

- Étape 10: Branchez l'appareil dans la prise murale.
- Étape 11: Allumez d'abord le bouton du brûleur avant et allumez le gaz avec une allumette en prenant soin de ne pas vous brûler la main ou d'autres parties du corps. Il y a de l'air dans la conduite de gaz lorsque le gaz est activé initialement. L'utilisation d'une allumette sur le brûleur permet de se débarrasser du mélange d'air et de gaz plus facilement et de manière plus sécuritaire. Soyez prudent afin d'éviter tout risque de brûlure.
- Étape 12: Mettez les grilles en place.





PRÉPARATION DU BOÎTIER

Afin de permettre un ajustement serré et solide, il est essentiel que la découpe du boîtier respecte les dimensions de découpe indiquées sur les illustrations correspondantes.

- La table de cuisson doit être de niveau pour bien fonctionner. Le boîtier doit être plat (de l'avant vers l'arrière et de gauche à droite) de manière à affleurer la table de cuisson.
- Prenez soin de consulter les codes du bâtiment en vigueur au sujet de la méthode d'installation à suivre. Les codes peuvent varier d'une région à l'autre. L'installation, les connexions électriques et la mise à la terre doivent être conformes à tous les codes en vigueur.
- La profondeur maximum des armoires suspendues au-dessus de la table de cuisson ou de chaque côté de la hotte est de 33 cm (13 po).
- Pour réduire les risques de brûlure ou d'incendie, évitez de ranger des objets dans les armoires situées au-dessus des éléments de surface. Si toutefois vous devez ranger des objets dans ces armoires, réduisez les risques en installant une hotte dont la partie saillante horizontale dépasse la partie inférieure des armoires suspendues d'au moins 5 po (127 mm).

REMARQUE :

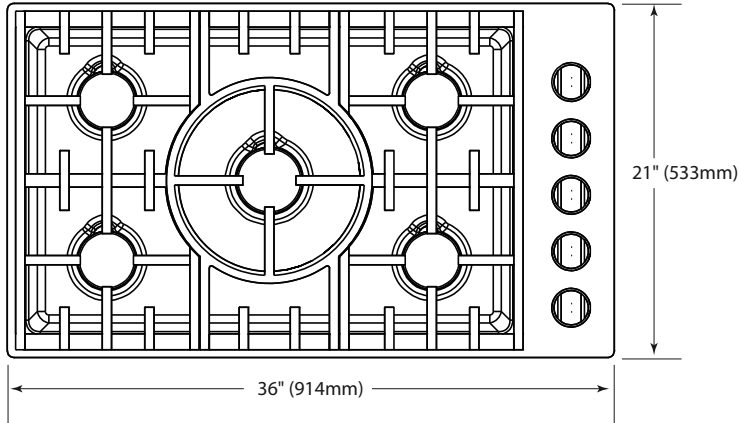
La table de cuisson doit être complètement retirée de la découpe pour toute réparation ou entretien. Le châssis de la table de cuisson n'est pas soutenue par le comptoir.

Instructions pour retirer la table de cuisson pour réparation sont incluses dans le résumé de réparation, attaché au bas du châssis de la table de cuisson.

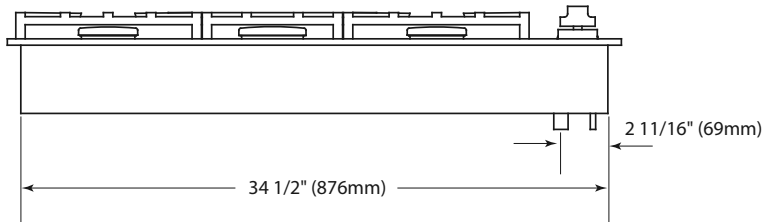
DIMENSIONS DU PRODUIT

CDV2-365

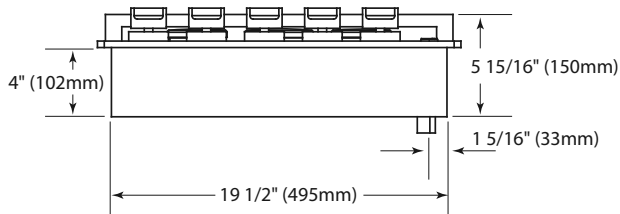
Vue de dessus



Vue de face

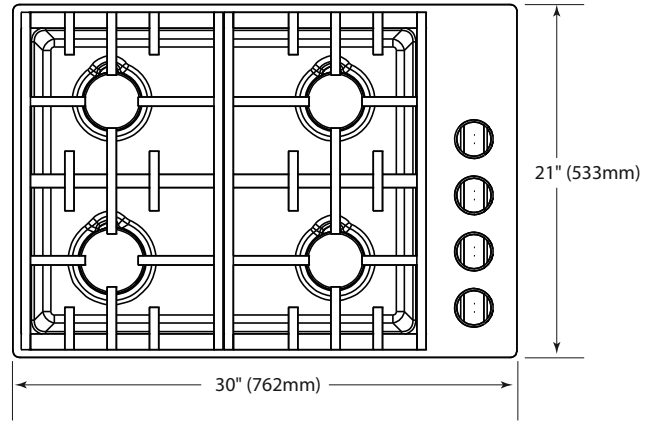


Vue laterale

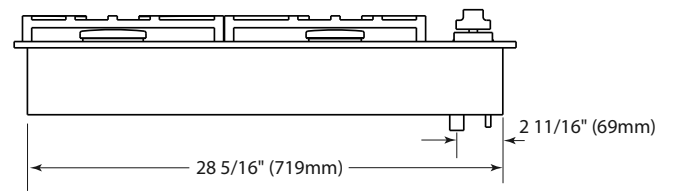


CDV2-304

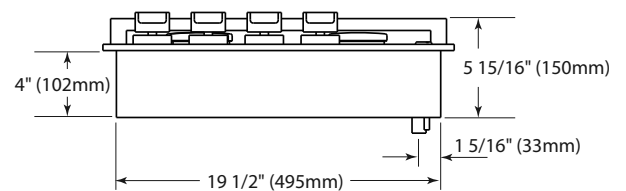
Vue de dessus



Vue de face

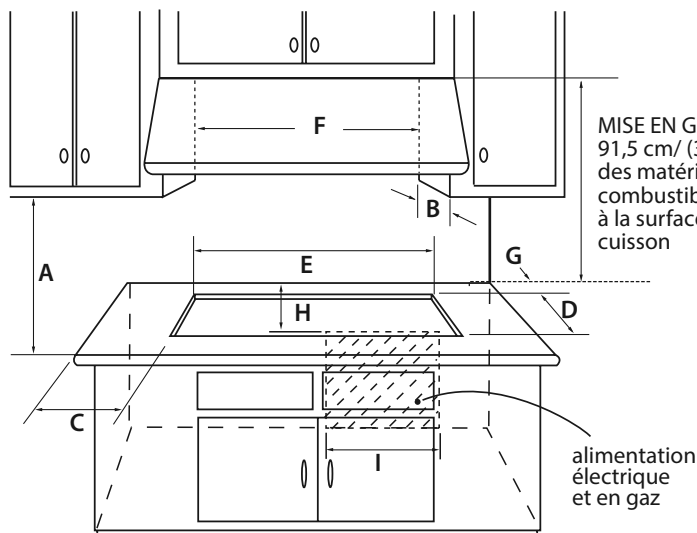


Vue laterale



DIMENSIONS DE DÉCOUPE ET DE BOÎTIER

DANS LE CAS D'UNE INSTALLATION AVEC UNE HOTTE DE VENTILATION



MISE EN GARDE :
91,5 cm/ (36 po) min.
des matériaux
combustibles
à la surface de
cuisson

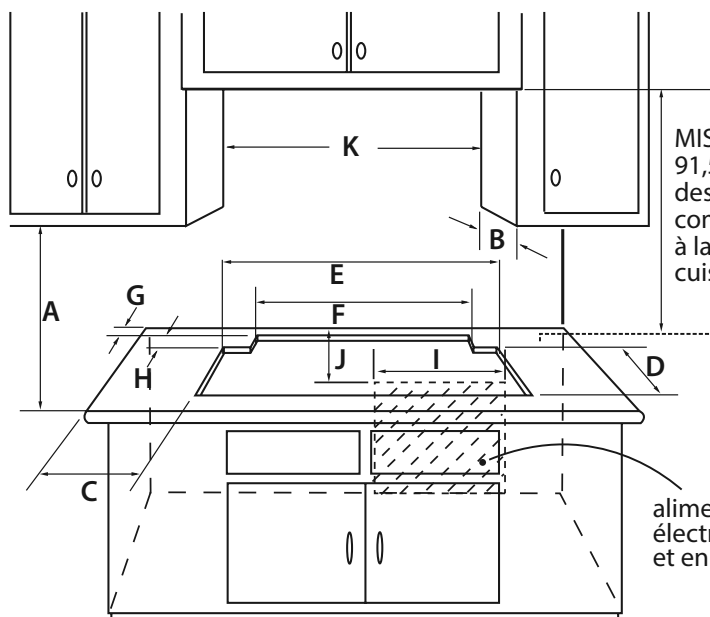
- A) 45,7 CM (18") MIN.
- B) 33 CM (13") MAX.
- C) 30 CM (12") MIN. JUSQU' AUX MATÉRIEAUX COMBUSTIBLES POUR LE CDV2-365 ET CDV2-304 PROFONDEUR
- E) 88,3 CM (34-3/4") POUR LE CDV2-365
72,7 CM (28-5/8") POUR LE CDV2-304
- F) LARGEUR DE HOTTE 91,4 CM (36") MIN. POUR CDV2-365
LARGEUR DE HOTTE 76,2 CM (30") MIN. POUR CDV2-304
- G) 17,8 (7") JUSQU' AUX MATÉRIEAUX COMBUSTIBLES
- H) 12,7 CM (5")
- I) 45,72 CM (18")

* Les surfaces non-combustibles

tel que défini dans «National Fuel Gas Code» (ANSI Z223.1, édition actuelle). Dégagements à partir de matériaux non combustibles ne font pas partie du champ d'application ANSI Z21.1 et ne sont pas certifiés par UL. Dégagements doivent être approuvés par les codes locaux et / ou par l'autorité compétente locale.

Note: Voir les recommandations du fabricant pour les spécifications de canalisation.

DANS LE CAS D'UNE INSTALLATION AVEC UN SYSTÈME DE VENTILATION PAR ASPIRATION DESCENDANTE FISHER & PAYKEL DD-36 OUR DD-30



MISE EN GARDE :
91,5 cm/ (36 po) min.
des matériaux
combustibles
à la surface de
cuisson

- A) 45,7 CM (18") MIN.
- B) 33 CM (13") MAX.
- C) 30 CM (12") MIN. JUSQU' AUX MATÉRIEAUX COMBUSTIBLES POUR LE CDV2-365 ET CDV2-304 PROFONDEUR
- D) 50,2 CM (19-3/4") PROFONDEUR
- E) 88,3 CM (34-3/4") POUR LE CDV2-365
72,7 CM (28-5/8") POUR LE CDV2-304
- F) 33-1/2" DE LARGEUR POUR LE DD36
27-1/2" DE LARGEUR POUR LE DD30
- G) 1,3 CM (1/2") MIN. JUSQU' AUX MATÉRIEAUX COMBUSTIBLES
- H) 6,67 CM (2-5/8")
- I) 22,86 CM (9")
- J) 67,3 CM (26-1/2")
- K) MIN. 91,4 CM (36") POUR LE CDV2-365
MIN. 76,2 (30") POUR LE CDV2-304
- L) 66,04 CM (26 PO) MIN.

* Les surfaces non-combustibles

tel que défini dans «National Fuel Gas Code» (ANSI Z223.1, édition actuelle). Dégagements à partir de matériaux non combustibles ne font pas partie du champ d'application ANSI Z21.1 et ne sont pas certifiés par UL. Dégagements doivent être approuvés par les codes locaux et / ou par l'autorité compétente locale.

notes:

- Voir les recommandations du fabricant pour les spécifications de canalisation.

- Les surfaces horizontales de la garniture de la table de cuisson ne doit pas être en dessous du niveau du comptoir.

- Lors de l'installation d'un 30" Cooktop avec un Downdraft (DD-30SS), un minimum de 26" profondeur des armoires est nécessaire.

BRANCHEMENT DU GAZ:

- Toutes les connexions d'alimentation en gaz doivent être effectuées par un technicien qualifié conformément aux codes et règlements en vigueur.
- Avant de brancher l'appareil, prenez soin de couper le gaz par le robinet mural.
- Reportez-vous aux illustrations plus bas pour les détails concernant le branchement du gaz.
- La table de cuisson et la régulateur de pression du gaz sont réglées en usine pour fonctionner au gaz naturel ou propane (GPL) selon le modèle spécifique commandé. Voir l'étiquette de type de gaz au bas du châssis. Avant d'aller plus loin, vérifiez que la table de cuisson est compatible avec le gaz du site où elle doit être installée. Si elle n'est pas réglée pour fonctionner avec le gaz du site, renvoyez la table de cuisson au distributeur.

- Cette table de cuisson est conçue pour fonctionner au:

	Gaz naturel	Gaz propane (GPL)
Pression du distributeur	4.0 po C.E.	10.0 po C.E.
Pression de la tuyauterie d'entrée	6.0 po—9.0 po C.E.	11.0—14.0 po C.E.

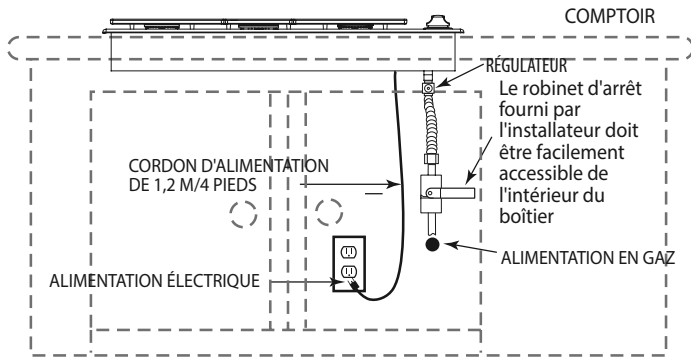
Voir l'étiquette signalétique au bas du châssis de la table de cuisson.

- Le régulateur de pression du gaz fourni peut supporter une pression d'entrée maximale de 14 po de C.E. Si la pression de la tuyauterie d'entrée est supérieure à cette valeur, vous devrez utiliser un régulateur abaisseur.
- Le régulateur de pression du gaz doit être utilisé. Ne raccordez jamais une tuyauterie du gaz déréglementé à cet appareil. Ne pas utiliser un régulateur peut entraîner des dommages matériels ou des blessures.
- Pour vérifier le réglage du régulateur, la pression de la tuyauterie d'entrée doit être au moins égale à 5 po C.E. pour le gaz naturel et 11 po C.E. pour le gaz propane (GPL), c.-à-d. de 1 po de C.E. plus grande que la pression du distributeur.
- Un robinet d'arrêt manuel (fourni par l'installateur) doit être installé dans un endroit accessible de la canalisation externe de l'appareil pour pouvoir ouvrir ou couper l'alimentation en gaz à l'appareil (au Massachusetts, de tels dispositifs doivent être approuvés par le Board of State Examiners of Plumbers & Gas Fitters).
- L'appareil doit être isolé du système d'alimentation en gaz en fermant son robinet d'arrêt durant les tests de pression si la pression est inférieure ou égale à 3,5 kPa (1/2 psi).
- L'appareil et son robinet d'arrêt doivent être déconnectés du système d'alimentation en gaz durant les tests de pression lorsque la pression est supérieure à 3,5 kPa (1/2 psi).
- La conduite flexible de l'alimentation en gaz doit être métallique, à l'état neuf et approuvée par un organisme de certification homologué (AGA, CGA ou UL). N'utilisez jamais de tuyau usagé, en caoutchouc ou autre matériau synthétique car la chaleur peut le faire fondre et produire des fuites.
- La conduite flexible de l'alimentation en gaz doit être 1/2 po NPT, avec un diamètre minimum de 5/8 po.

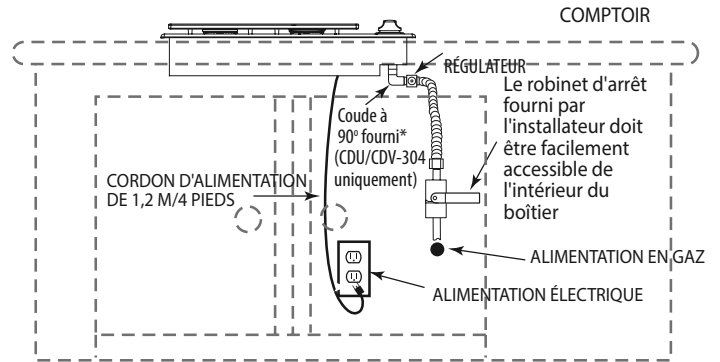
VÉRIFICATION DE L'ABSENCE DE FUITE :

- Après avoir effectué le dernier raccordement au gaz, ouvrez le robinet de gaz manuel et testez chaque raccord de la tuyauterie d'alimentation en gaz pour vérifier l'absence de fuite de gaz, en utilisant une solution d'eau savonneuse. Lors de cette vérification, tous les robinets de gaz de l'appareil doivent être fermés.
- Pour réduire les risques de dommages matériels ou de blessures corporelles graves, n'utilisez jamais la flamme d'une allumette ou une flamme nue. S'il y a une fuite, serrez le joint ou dévissez-le, appliquez-y de la pâte à joints supplémentaire, resserrez-le et vérifiez à nouveau l'absence de fuite.

LES CONNEXIONS D'ALIMENTATION EN GAZ CDV2-365



LES CONNEXIONS D'ALIMENTATION EN GAZ -CDV2-304



*Requis si la table de cuisson est installée au-dessus d'un four de mur

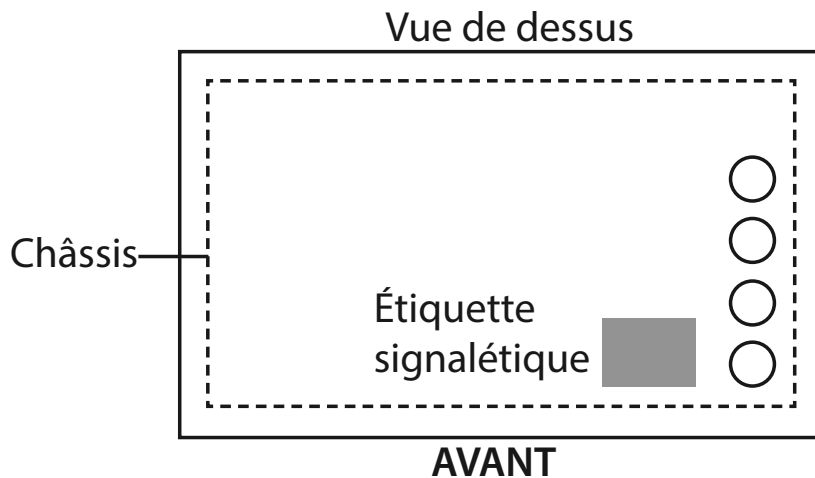
BESOINS EN ALIMENTATION :

120 V c.a., 60 Hz, courant monophasé

CDV2-365/CDV2-304 : 0,10 A max.

(utilisez un circuit de 15 A minimum)

- Débranchez toujours le cordon d'alimentation électrique de la prise murale ou coupez le courant avant d'effectuer l'entretien de cet appareil.
- Respectez tous les codes et réglementations en vigueur concernant la mise à la terre. S'il n'y en a pas, respectez la norme ANSI/NFPA No. 70-1990 du National Electrical Code (Code national de l'électricité).
- Les schémas de câblage sont inclus dans le résumé de réparation, attaché au bas du châssis de la table de cuisson.
- L'étiquette signalétique est située au bas du châssis de la table de cuisson, vers l'avant du côté droit.



MÉTHODE DE MISE À LA TERRE REQUISE :

Cet appareil est équipé d'un cordon d'alimentation à fiche bipolaire avec terre dotée de lames parallèles polarisées. La fiche doit être branchée dans une prise avec mise à la terre correspondante connectée à un circuit correctement polarisé de 120 V. Si le circuit ne possède pas ce genre de prise, l'installateur ou l'utilisateur a la responsabilité et le devoir de faire remplacer, par un technicien qualifié, la prise existante par une prise polarisée correctement mise à la terre conformément aux codes et réglementations en vigueur. En l'absence de tels codes et réglementations, le remplacement de la prise doit être effectué conformément au Code national de l'électricité. **LA TROISIÈME BROCHE DE TERRE NE DOIT EN AUCUN CAS ÊTRE COUPÉE OU ENLEVÉE.** Assurez une alimentation électrique à courant monophasé de 120 V, 60 Hz sur un circuit de 15 ampères. La prise de courant doit être de type NEMA 5-15R compatible avec la fiche bipolaire avec terre fournie avec l'appareil.



TROISIÈME BROCHE DE TERRE

LISTE DE CONTRÔLE FINALE DE L'INSTALLATEUR

29

US
CA
(FR)

GÉNÉRALITÉS

- Emplacement de l'appareil.
- Dégagement spécifié respecté par rapport aux surfaces du boîtier.
- Appareil de niveau – de l'avant à l'arrière, d'un bord à l'autre.
- Matériel d'emballage et courroies d'attache enlevés.

ALIMENTATION ÉLECTRIQUE :

- Prise avec protection de courant de 15 ampères pour brancher le cordon d'alimentation.
- Connexion de mise à la terre adéquate.

ALIMENTATION EN GAZ :

- Connexion : 1/2 po NPT avec conduite flexible de 5/8 po de diamètre minimum
- Le régulateur de pression connecté au distributeur est réglé sur 4,0 po C.E. pour le gaz naturel ou 10,0 po C.E. pour le gaz propane.
- Robinet d'arrêt manuel installé dans un endroit facile d'accès.
- Appareil testé et exempt de fuites.

FONCTIONNEMENT :

- Tout le matériel d'emballage interne est enlevé, c'est-à-dire sous les grilles, autour des boutons, etc.
- Les boutons tournent correctement et librement.
- Chaque brûleur s'allume correctement, qu'il fonctionne seul ou avec les autres brûleurs.
- Réglage de flamme produisant une flamme douce conique de 3/8 po sur les ports des brûleurs supérieurs.
- Vérification de fonctionnement à faible flamme.
- Tous les capuchons, couronnes et bases de brûleur sont bien assis, de niveau, ne remuent pas et ne glissent pas.
- Les grilles des brûleurs sont correctement placées, de niveau et ne remuent pas.

FISHERPAYKEL.COM

© Fisher & Paykel Appliances 2018. All rights reserved.

The product specifications in this document apply to the specific products and models described at the date of issue. Under our policy of continuous product improvement, these specifications may change at any time. You should therefore check with your Dealer to ensure this document correctly describes the product currently available.

© Fisher & Paykel Appliances 2018. Tous droits réservés.

Les caractéristiques de produit présentées dans ce livret s'appliquent aux modèles et produits spécifiques qui y sont décrits à la date de publication. Dans le cadre de notre politique d'amélioration en permanence de nos produits, ces caractéristiques peuvent être modifiées à tout moment. Nous vous recommandons de vérifier auprès de votre détaillant que ce livret décrit le produit actuellement disponible.

US CA

591107D 10.19