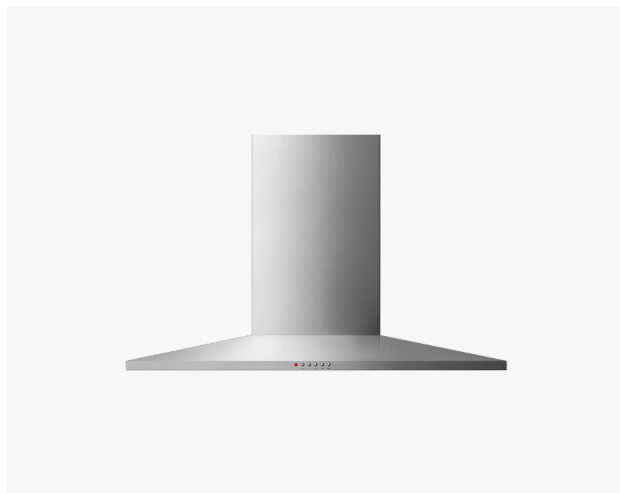


# Wall Rangehood, 90cm, Pyramid Chimney

Series 5 | Contemporary

Stainless Steel

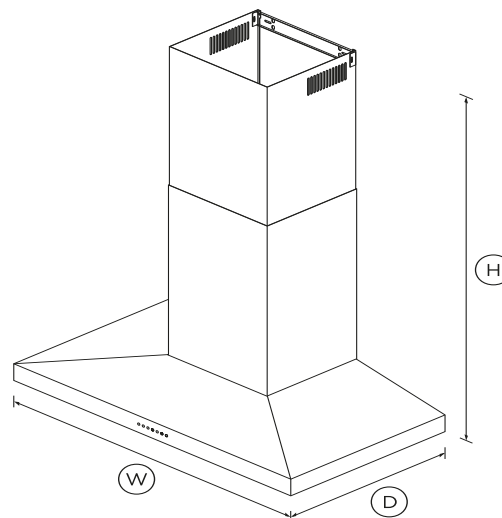


The wall chimney rangehood has contemporary styling, extracting steam, grease and cooking odours quietly and efficiently.

- With three fan speeds, select the perfect extraction rate for your cooking
- Powerful maximum air movement of 780m<sup>3</sup>/hr
- Dishwasher safe filters that are easy to remove and clean

## DIMENSIONS

|        |            |
|--------|------------|
| Height | 610-1050mm |
| Width  | 898mm      |
| Depth  | 500mm      |



## FEATURES & BENEFITS

### Easy installation

This wall chimney rangehood is the perfect partner to your Fisher & Paykel cooktop. It can be either externally ducted or internally recirculated, making it perfect for apartments.

### Simple to use

Three fan speeds provide powerful extraction to ensure steam and odours are quickly removed. Simply change the fan speed with the touch of a button.

### Easy cleaning

Three filters effectively trap grease particles during extraction. They are easy to remove and dishwasher safe, or can be cleaned by hand in hot soapy water.

### Complementary design

This wall chimney rangehood's sleek stainless steel finish which will complement any contemporary kitchen and is designed to match the rest of Fisher & Paykel's kitchen appliance family.

## SPECIFICATIONS

### Accessories

|                             |                               |
|-----------------------------|-------------------------------|
| Aluminium filter            | 792527                        |
| Chimney extension           | 792492 (Cover duct extension) |
| Eave ducting kit            | PD-RHK150E                    |
| Light bulb                  | 792461                        |
| Recirculation carbon filter | 792481                        |
| Recirculation diverter      | 791820                        |
| Roof ducting kit            | PD-RHK150T                    |
| Side wall ducting kit       | PD-RHK150W                    |

### Fan ratings

|                      |                       |
|----------------------|-----------------------|
| Maximum air movement | 780m <sup>3</sup> /hr |
| Maximum sound rating | 65dBA                 |

### Installation and cleaning

|                             |                           |
|-----------------------------|---------------------------|
| Dishwasher safe filters     | 3                         |
| Ducted                      | Top extraction            |
| Recirculation               | Optional - top extraction |
| Two piece height adjustable | •                         |

### Performance

|                   |         |
|-------------------|---------|
| Extraction type   | Surface |
| Fan speeds        | 3       |
| Filter type       | Mesh    |
| Number of filters | 3       |

---

**Power requirements**

|                  |          |
|------------------|----------|
| Supply frequency | 50Hz     |
| Supply voltage   | 220-240V |

---

**Product dimensions**

|        |            |
|--------|------------|
| Depth  | 500mm      |
| Height | 610-1050mm |
| Width  | 898mm      |

---

**Product information**

|              |             |
|--------------|-------------|
| Control type | Push Button |
|--------------|-------------|

---

**Ventilation features**

|            |     |
|------------|-----|
| Light type | LED |
|------------|-----|

---

**Warranty**

|                  |         |
|------------------|---------|
| Parts and labour | 2 years |
|------------------|---------|

---

|     |       |
|-----|-------|
| SKU | 50007 |
|-----|-------|

---

---

**Other product downloads available at fisherpaykel.com**

[↓](#) Service & Warranty

[↓](#) User/Installation Guide

[↓](#) Installation Guide

**A PEACE OF MIND SALE****24 Hours 7 Days a Week Customer Support****T 0800 372 273 W [www.fisherpaykel.com](http://www.fisherpaykel.com)**

The product dimensions and specifications in this page apply to the specific product and model. Under our policy of continuous improvement, these dimensions and specifications may change at any time. You should therefore check with Fisher & Paykel's Customer Care Centre to ensure this page correctly describes the model currently available. ? Fisher & Paykel Appliances Ltd 2020