

Wall Rangehood, 90cm, Box Chimney

Series 7 | Contemporary

Stainless Steel and Glass

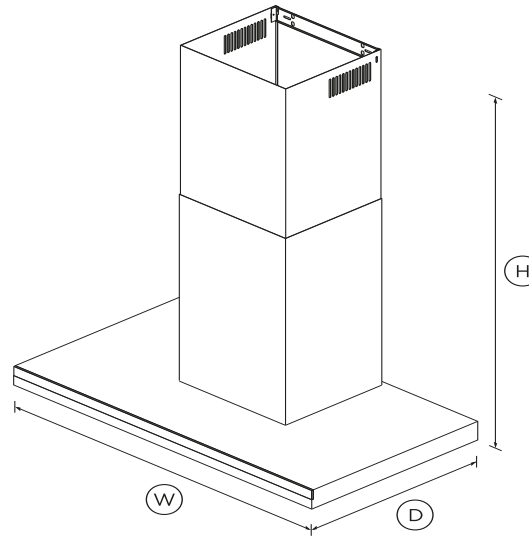


The wall chimney rangehood has contemporary styling, extracting steam, grease and cooking odours quietly and efficiently.

- With three fan speeds plus boost, select the perfect extraction rate for your cooking
- Powerful maximum air movement of 780m³/hr
- Energy-efficient LED lighting to illuminate your cooking surface

DIMENSIONS

| | |
|--------|------------|
| Height | 595-1035mm |
| Width | 898mm |
| Depth | 500mm |



FEATURES & BENEFITS

Effective and quiet

This rangehood features three fan speeds, plus a boost function, providing powerful extraction to quickly remove odours and steam. The timer keeps the rangehood working for up to 15 minutes before automatically turning off.

Simple To Use

This Fisher & Paykel rangehood features a sleek and easy to use touch-control panel. Low energy, dimmable LED lights provide superb illumination over the entire cooking surface.

Easy cleaning

Designed for simple removal, the filters are easy to clean and dishwasher safe. The stainless steel mesh cover just needs a quick wipe to keep clean. An alert reminds you when to clean the filter to ensure you get the best performance out of your rangehood.

Seamless integration

This wall chimney rangehood features sleek black glass and stainless steel styling that will complement any contemporary kitchen, and is designed to match the rest of Fisher & Paykel's kitchen appliance family.

SPECIFICATIONS

Accessories (sold separately)

| | |
|-----------------------------|------------|
| Chimney extension | 792492 |
| Eave ducting kit | PD-RHK150E |
| Light bulb | 792556 |
| Recirculation carbon filter | 792481 |
| Recirculation diverter | 792560 |
| Roof ducting kit | PD-RHK150T |
| Side wall ducting kit | PD-RHK150W |

Fan ratings

| | |
|----------------------|-----------------------|
| Maximum air movement | 780m ³ /hr |
| Maximum sound rating | 65dBA |

Installation and cleaning

| | |
|------------------------------|---------------------------|
| Dishwasher safe filters | 3 |
| Ducted | Top extraction |
| Recirculation | Optional - top extraction |
| Stainless steel filter cover | • |

| | |
|-----------------------------|---|
| Two piece height adjustable | • |
|-----------------------------|---|

| | |
|------------------|----------------|
| Parts and labour | 2 years |
|------------------|----------------|

Performance

| | |
|-------------------------|----------------|
| Airflow balancing plate | • |
| Extraction type | Surface |
| Fan speeds | 3 |
| Filter type | Mesh |
| Number of filters | 3 |

| | |
|-----|-------|
| SKU | 50118 |
|-----|-------|

The product dimensions and specifications in this page apply to the specific product and model. Under our policy of continuous improvement, these dimensions and specifications may change at any time. You should therefore check with Fisher & Paykel's Customer Care Centre to ensure this page correctly describes the model currently available. ? Fisher & Paykel Appliances Ltd 2020

Power requirements

| | |
|----------------|-----------------|
| Lighting power | 8W |
| Motor power | 240W |
| Supply voltage | 220-240V |
| Total Power | 248W |

Product dimensions

| | |
|--------|-------------------|
| Depth | 500mm |
| Height | 595-1035mm |
| Width | 898mm |

Product information

| | |
|--------------|-------------------------|
| Control type | Capacitive touch |
|--------------|-------------------------|

Ventilation features

| | |
|-----------------------|------------|
| Dimmable lights | • |
| Filter cleaning alert | • |
| Light type | LED |
| Timer function | • |

Warranty

Other product downloads available at fisherpaykel.com



Service & Warranty



User & Installation Guide - Box Wall Rangehood



Data Sheet Wall Rangehood



A PEACE OF MIND SALE

24 Hours 7 Days a Week Customer Support

T +65 6741 0777 W www.fisherpaykel.com