

# 24" Series 11 Minimal Handleless Combi-Steam Oven

Minimal



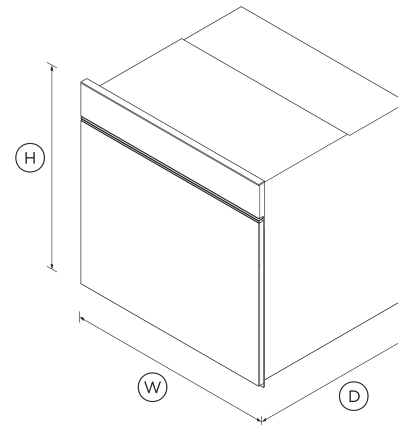
With its sleek handleless design, this Combination Steam Oven offers precise control and uniform temperature across its 23 functions to effortlessly create healthy and delicious dishes.

- Handleless oven design ensures smooth, uninterrupted lines in your kitchen cabinetry for a cohesive look
- 23 oven functions including Steam, Sous Vide, Air Fry and Crisp Regenerate
- Help reduce food waste by rejuvenating leftovers with steam for fresh-tasting roasts, and risottos and more

- Designed to pair with our companion products such as Vacuum Seal Drawers

## DIMENSIONS

|        |           |
|--------|-----------|
| Height | 23 9/16 " |
| Width  | 23 7/16 " |
| Depth  | 22 1/4 "  |



## FEATURES & BENEFITS

### Handleless Design

Effortlessly open and close your oven with a gentle press of a button, ensuring convenience and smooth operation in the kitchen. Moving away from traditional oven doors, this model is an ideal match for kitchens with a continuous, handle-free design, ensuring a seamless flow across the cabinetry.

### Hands-Free Control

Experience the ultimate kitchen convenience with the SmartHQ™ app's voice-activated oven door. Connect your SmartHQ™ account with Google's voice assistant for hands-free control—simply speak to a compatible device\* to open your oven door. Multitasking in the kitchen has never been so effortless.

\*Device must be compatible with the Google Home app.

### Cook With Confidence

Using the large 5" touchscreen interface, you can cook with a favourite method, hero ingredient, cooking function or recipe. Your oven will guide you through the steps, or change the temperature and heat type automatically, depending on your selection.

### Mastery Of Temperature

Steam is eight times more efficient at conducting heat than convection, which means our combi steam oven can cook at reduced times and lower temperatures. It perfectly balances steam with convection heat, ensuring exceptional temperature accuracy for perfect roasting and crafting signature dishes.

### Preserve Flavor And Nutrients

Perfect for delicate dishes like snapper or salmon, steam cooking preserves nutrients and texture, offering a healthier way to enjoy meals. With specialized steam functions, including Sous Vide, the combi steam oven brings out the best in every ingredient, ensuring your creations are both nutritious and delicious.

### Reheat And Restore

Give your leftovers a new life with our Steam Regenerate function, ensuring meals like roast chicken and risotto retain freshness and flavour. For that just-baked quality in pastries, bread, and pizza, use Crisp Regenerate for the perfect reheat that keeps every bite deliciously crispy.

### Steam Clean

Keep your oven spotless with the natural power of steam. The oven's steam cleaning feature simplifies maintenance by helping lift stubborn spills, allowing for a quick wipe-down.

**SPECIFICATIONS**

**Accessories (included)**

|                                |               |
|--------------------------------|---------------|
| Broil grid                     | 1             |
| Broil pan                      | 1             |
| Broil rack                     | 1             |
| Chromed shelf runners          | •             |
| Descal solution                | 2             |
| Full extension sliding shelves | <b>2 sets</b> |
| Large steam dish               | 1             |
| Perforated large steam dish    | 1             |
| Perforated small steam dish    | 1             |
| Step down wire shelf           | 1             |
| Wired temperature sensor       | 1             |

**Capacity**

|                 |                  |
|-----------------|------------------|
| Shelf positions | <b>6</b>         |
| Total capacity  | <b>3 cu ft</b>   |
| Usable capacity | <b>2.5 cu ft</b> |

**Cleaning**

|                                |   |
|--------------------------------|---|
| Acid resistant graphite enamel | • |
| Descal cycle                   | • |
| Drying cycle                   | • |
| Easy to clean interior         | • |
| Removable oven door            | • |

|                        |   |
|------------------------|---|
| Removable side ladders | • |
| Steam clean (oven)     | • |

**Controls**

|   |             |
|---|-------------|
| Adjustable audio and display settings   | •           |
| Audio feedback                          | •           |
| Automatic cooking/minute timer          | •           |
| Automatic pre-set temperatures          | •           |
| Celsius/Fahrenheit temperature          | •           |
| Delay start                             | •           |
| Electronic capacitive touch controls    | •           |
| Electronic clock                        | •           |
| Electronic oven control                 | •           |
| Guided cooking by food type and recipes | •           |
| Handle-free design                      | •           |
| Internal Light                          | •           |
| Intuitive touchscreen display           | •           |
| Multi-language display                  | <b>true</b> |
| Smart appliance                         | •           |
| Soft close doors                        | •           |
| Temperature sensor                      | •           |
| Touch control glass interface           | •           |
| True convection oven                    | •           |
| Voice control                           | •           |
| Wireless temperature sensor compatible  | •           |

**Functions**

|            |   |
|------------|---|
| Aero Broil | • |
| Aero™ Bake | • |

|                          |   |
|--------------------------|---|
| Air fry                  | • |
| Bake                     | • |
| Classic bake             | • |
| Crisp regenerate         | • |
| Maxi Broil               | • |
| Pastry Bake              | • |
| Pizza bake               | • |
| Roast                    | • |
| Slow cook                | • |
| Sous vide                | • |
| Steam                    | • |
| Steam clean (oven)       | • |
| Steam defrost            | • |
| Steam proof              | • |
| Steam regenerate         | • |
| True Aero                | • |
| True Aero + High steam   | • |
| True Aero + Low steam    | • |
| True Aero + Medium steam | • |
| Vent bake                | • |
| Warm                     | • |

**Performance**

|                          |                   |
|--------------------------|-------------------|
| ActiveVent™ system       | •                 |
| AeroTech™ technology     | •                 |
| Automatic rapid pre-heat | •                 |
| Temperature range        | <b>95 - 445 F</b> |

**Power requirements**

|                  |             |
|------------------|-------------|
| Amperage         | 20 A        |
| Supply frequency | 60 Hz       |
| Supply voltage   | 208 - 240 V |

- [↓](#) Revit
- [↓](#) Rhino
- [↓](#) Right To Repair Declaration (English, Canadian French)
- [↓](#) SketchUp
- [↓](#) User Guide (English)
- [↓](#) User Guide (Canadian French)
- [↓](#) User Guide (Spanish)

#### Product dimensions

|        |           |
|--------|-----------|
| Depth  | 22 1/4 "  |
| Height | 23 9/16 " |
| Width  | 23 7/16 " |

#### Where applicable:

All appliances use energy, and energy usage typically generates carbon emissions. **Fisher & Paykel Appliances' In-use Energy Carbon Emissions Estimate** indicates carbon emissions from a product's in-use energy. This is calculated either annually or per cycle, using the product's market-specific energy label energy consumption data multiplied by the carbon emissions factor for energy in your country or region.

Our In-use Energy Carbon Emissions Estimate is designed to assist customers in making informed purchasing decisions when comparing different Fisher & Paykel products. For example, a heat pump dryer typically has a lower In-use Energy Carbon Emissions Estimate than a vented dryer.

|     |       |
|-----|-------|
| SKU | 84732 |
|-----|-------|

The product dimensions and specifications in this page apply to the specific product and model. Under our policy of continuous improvement, these dimensions and specifications may change at any time. You should therefore check with Fisher & Paykel's Customer Care Centre to ensure this page correctly describes the model currently available. © Fisher & Paykel Appliances Ltd 2020

#### Other product downloads available at fisherpaykel.com

- [↓](#) DWG
- [↓](#) DXF
- [↓](#) Energy Label (English, Canadian French)
- [↓](#) Installation Guide (English)
- [↓](#) Installation Guide (Canadian French)
- [↓](#) Installation Guide (Spanish)
- [↓](#) Planning Guide - 24" Handleless Ovens and Companions (English)
- [↓](#) Planning Guide - Handleless Ovens and Companions, 24" (Canadian French)
- [↓](#) Planning Guide - Handleless Ovens and Companions, 24" (Spanish)



**A PEACE OF MIND SALE**  
 24 Hours 7 Days a Week Customer Support  
 T 1.888.936.7872 W [www.fisherpaykel.com](http://www.fisherpaykel.com)