

# FISHER & PAYKEL

## DATA SHEET

Freestanding Dishwasher, 60cm

### Model nos:

DW60FC4X3  
DW60FC1X3  
DW60FC2X3

### Product Dimensions

	mm
Ⓐ Overall height of product* (incl. top panel)	850 - 895
Ⓑ Overall width of product	597
Ⓒ Overall depth of product (incl. top panel)	600
Ⓓ Depth chassis	558
Ⓔ Height of feet*	0 - 45
Ⓕ Door panel depth	46
Ⓖ Height from top of chassis to bottom of door panel	745
Ⓗ Height from top of door to floor*	103
Ⓘ Depth of door opening	620
Ⓚ Door panel width	590
Ⓛ Door panel height	711

\*Depending on adjustment of levelling feet

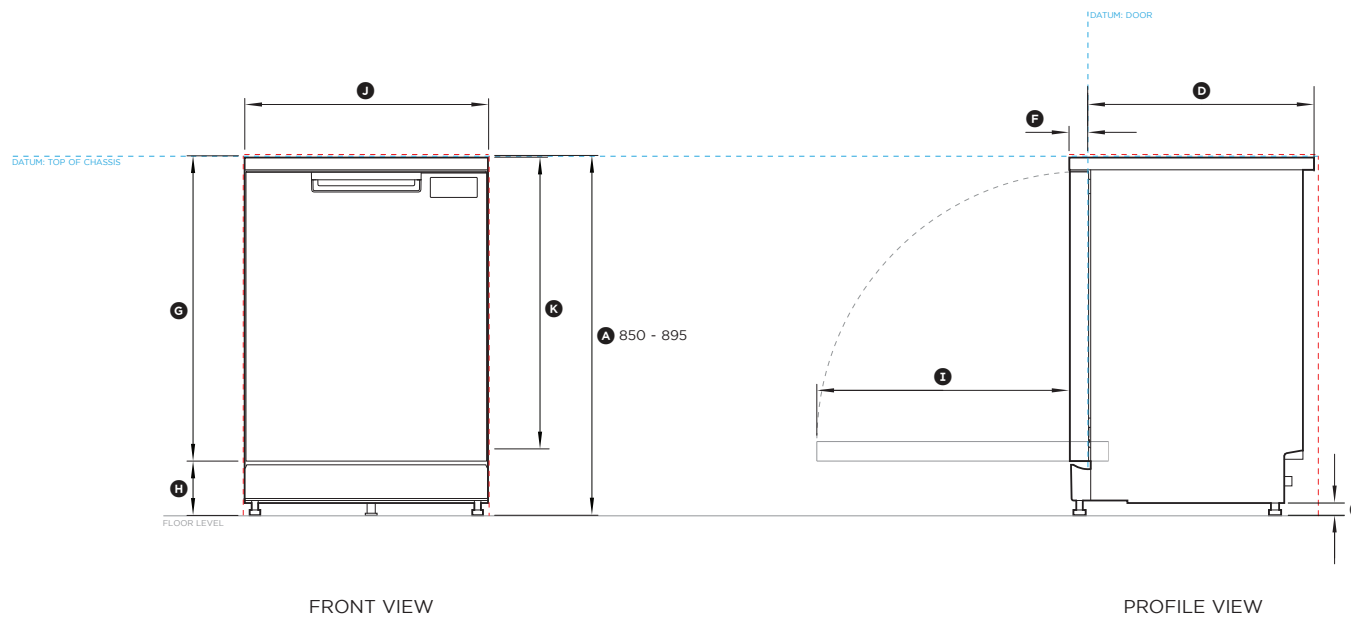
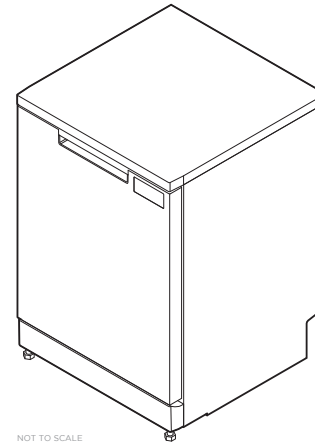
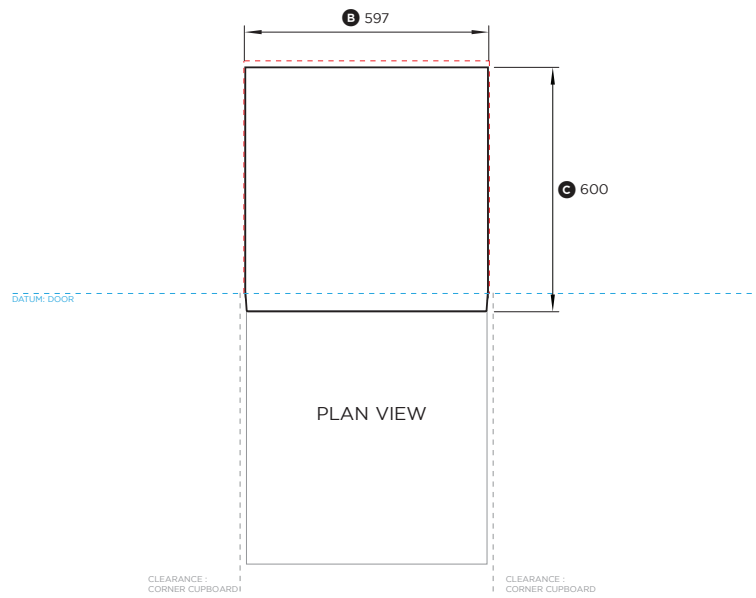
### Minimum Clearances

	mm
Minimum inside height of cavity* with top panel in place with top panel removed**	850 - 895
Minimum inside width of cavity	600
Minimum overall depth of cavity	605

\*Depending on adjustment of levelling feet

\*\*The top panel may be removed to suit underbench cavity height

See Installation Guide for further instructions



INDICATES PRODUCT DATUM -----  
INDICATES CABINETRY CLEARANCES -----

DATE: 1.4.2024

90003391A

IMPORTANT NOTE: Throughout this guide, dimensions may vary by ±2mm (1/16"). Please read the installation guide for detailed information on installing the product. For full installation instructions & specifications visit [fisherpaykel.com](http://fisherpaykel.com)