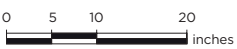
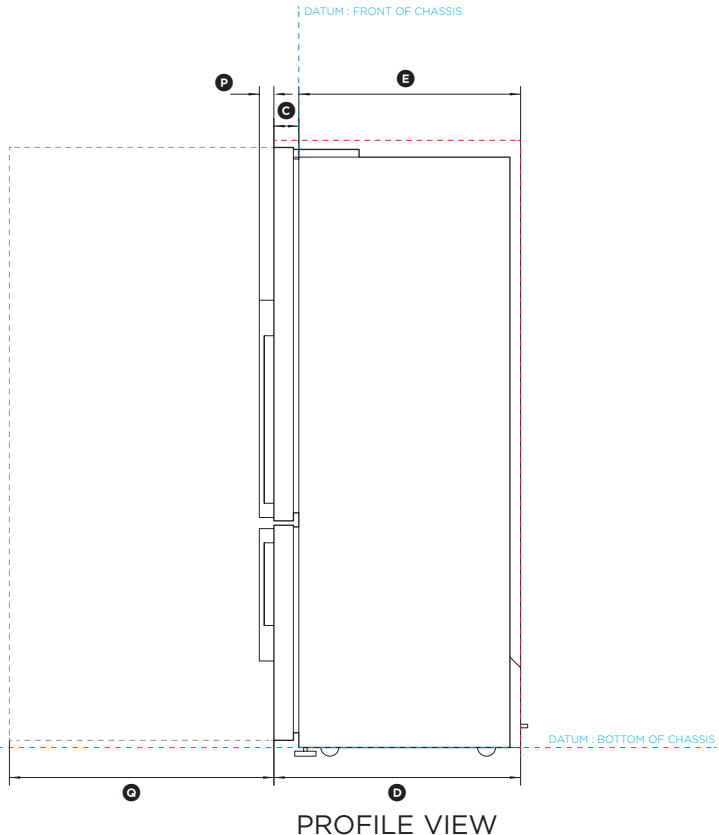
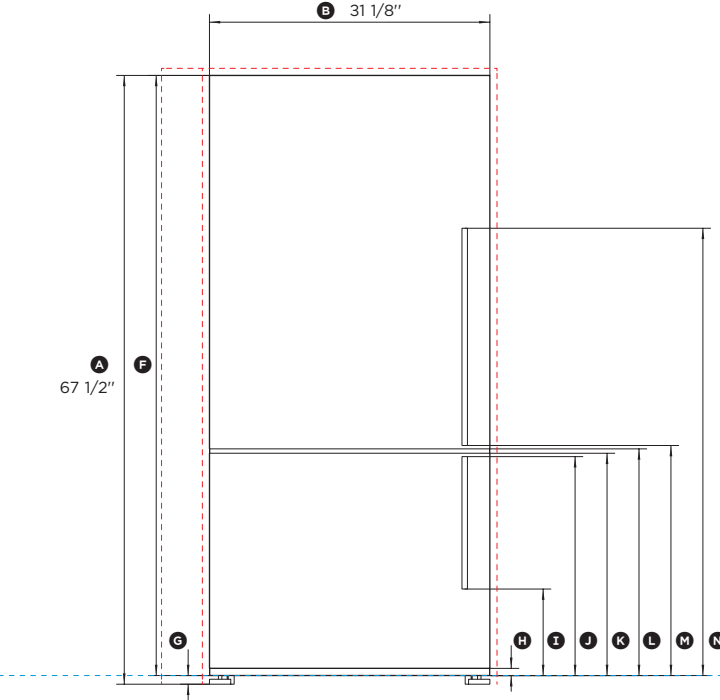
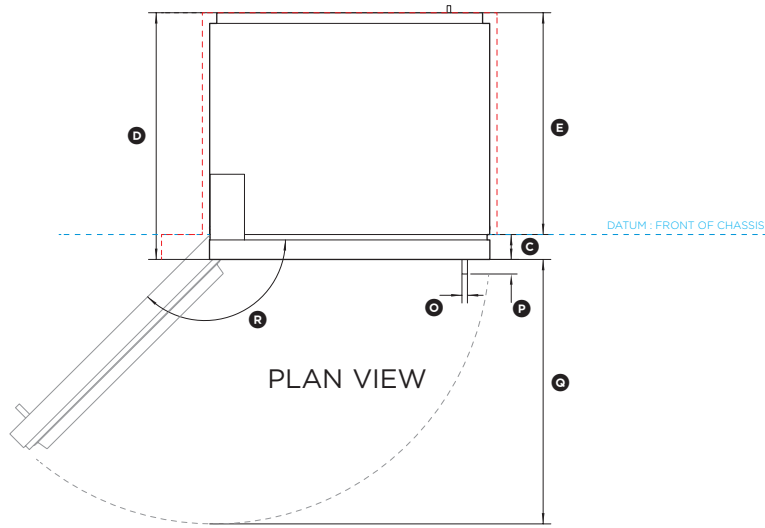


DATA SHEET

790MM ACTIVESMART™ FRIDGE - BOTTOM FREEZER



FRONT VIEW

PROFILE VIEW

Model no:

E522BLXFD4, E522BLXFD5

(refer page 2 for metric measurements)

Product Dimensions	in
Ⓐ Overall height* of fridge	67 1/2"
Ⓑ Overall width of fridge	31 1/8"
Ⓒ Depth of fridge door and gasket (excludes handle)	2 3/4"
Ⓓ Depth of fridge door and chassis (excludes handle)	27 3/8"
Ⓔ Depth of fridge chassis (does not include fridge door)	24 5/8"
Ⓕ Height from bottom datum to top of fridge door	66 9/16"
Ⓖ Height of feet (adjustable)	15/16"
Ⓗ Height from bottom datum to bottom of bottom door	13/16"
Ⓘ Height from bottom datum to bottom of bottom handle	9 5/8"
Ⓚ Height from bottom datum to top of bottom handle	24 3/8"
Ⓛ Height from bottom datum to top of bottom door	24 3/4"
Ⓛ Height from bottom datum to bottom of top door	25 3/16"
Ⓜ Height from bottom datum to bottom of top handle	25 1/2"
Ⓝ Height from bottom datum to top of top handle	49 5/8"
Ⓞ Width of handle	5/8"
Ⓟ Depth of handle (measured from front of door)	1 5/8"
Ⓠ Depth of door (open at 90°) (measured from front of door)	29 5/16"
Ⓡ Rotation of door (open) (measured from front of door)	138°

* Includes mounted feet

Minimum Clearances	in
Minimum height of cavity	68 5/16"
Minimum side clearance installed flush with chassis	13/16"
Side clearance (hinge side) - installed flush with door - full rotation	5 5/16"
Rear clearance (including evaporator tray)	1 3/16"

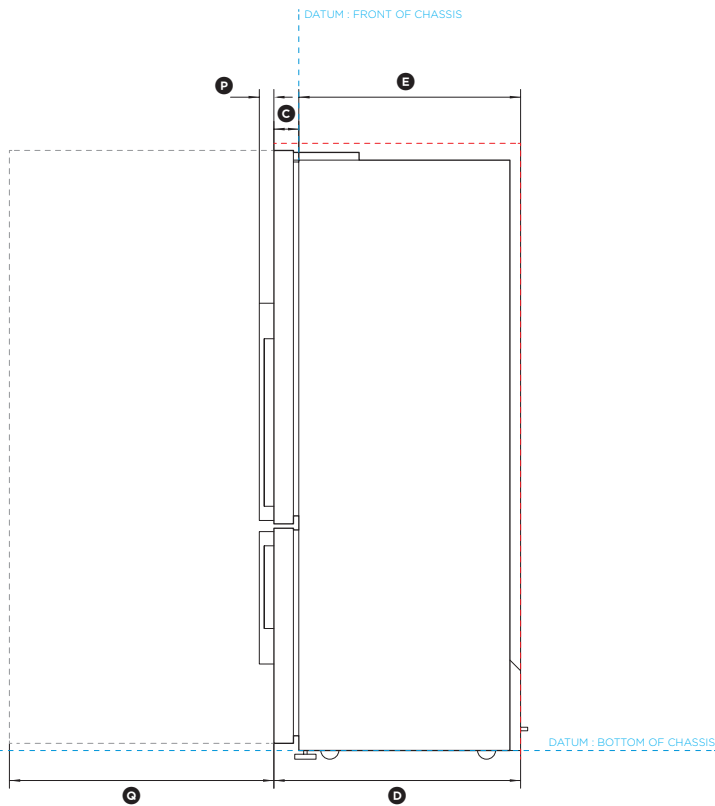
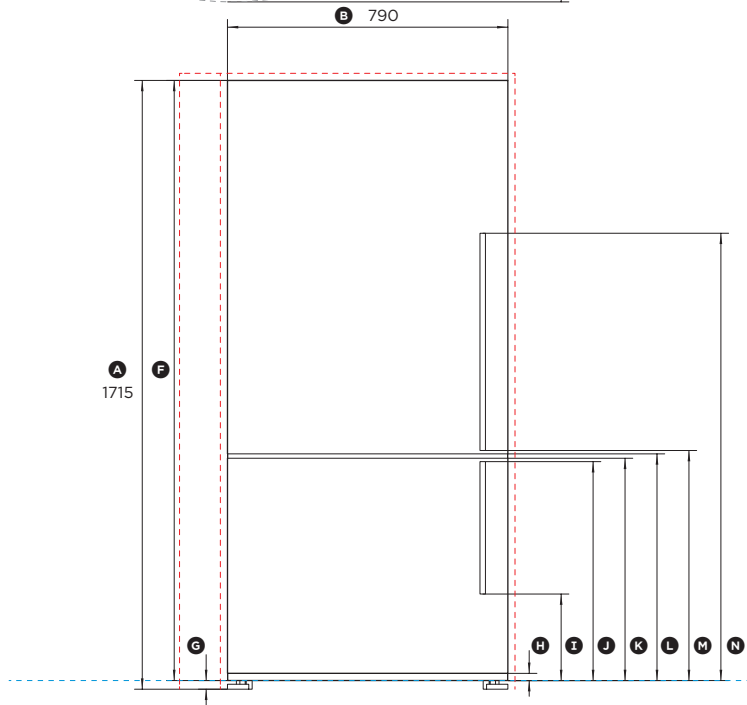
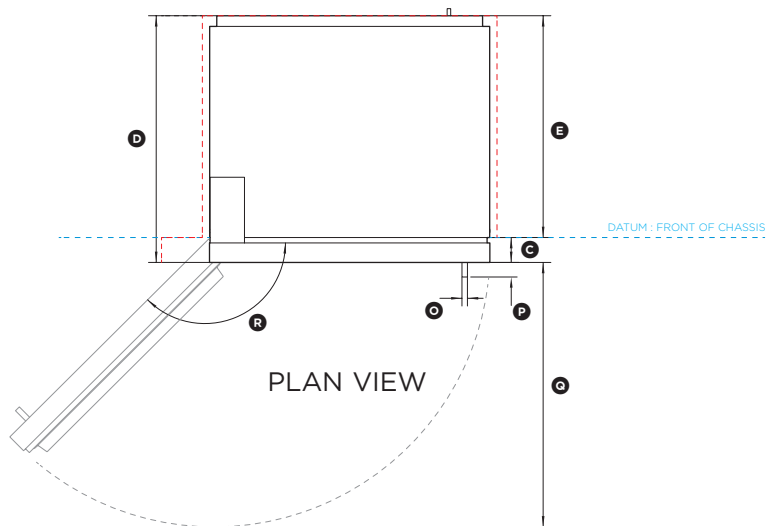
INDICATES PRODUCT DATUM -----
INDICATES CABINERY CLEARANCES -----

DATE: 08.10.2015

IMPORTANT NOTE: Throughout this guide, dimensions may vary by ±2mm (3/32"). Please read the installation manual for detailed information on installing the product. www.fisherpaykel.com

DATA SHEET

790MM ACTIVESMART™ FRIDGE - BOTTOM FREEZER



FRONT VIEW

PROFILE VIEW

Model no:

E522BLXFD4, E522BLXFD5

(refer page 1 for imperial measurements)

Product Dimensions	mm
Ⓐ Overall height* of fridge	1715
Ⓑ Overall width of fridge	790
Ⓒ Depth of fridge door and gasket (excludes handle)	70
Ⓓ Depth of fridge door and chassis (excludes handle)	695
Ⓔ Depth of fridge chassis (does not include fridge door)	625
Ⓕ Height from bottom datum to top of fridge door	1691
Ⓖ Height of feet (adjustable)	24
Ⓗ Height from bottom datum to bottom of bottom door	20
Ⓘ Height from bottom datum to bottom of bottom handle	245
Ⓚ Height from bottom datum to top of bottom handle	619
Ⓛ Height from bottom datum to top of bottom door	629
Ⓛ Height from bottom datum to bottom of top door	639
Ⓜ Height from bottom datum to bottom of top handle	745
Ⓝ Height from bottom datum to top of top handle	1260
Ⓞ Width of handle	15
Ⓟ Depth of handle (measured from front of door)	41
Ⓠ Depth of door (open at 90°) (measured from front of door)	745
Ⓡ Rotation of door (open) (measured from front of door)	138°

* Includes mounted feet

Minimum Clearances	mm
Minimum height of cavity	1735
Minimum side clearance installed flush with chassis	20
Side clearance (hinge side) - installed flush with door - full rotation	135
Rear clearance (including evaporator tray)	30

INDICATES PRODUCT DATUM -----
INDICATES CABINERY CLEARANCES -----

DATE: 08.10.2015

IMPORTANT NOTE: Throughout this guide, dimensions may vary by ±2mm (3/32"). Please read the installation manual for detailed information on installing the product. www.fisherpaykel.com