

Freestanding Refrigerator Freezer, 79cm, 494L

Series 5 | Contemporary

Stainless Steel | Left hinge

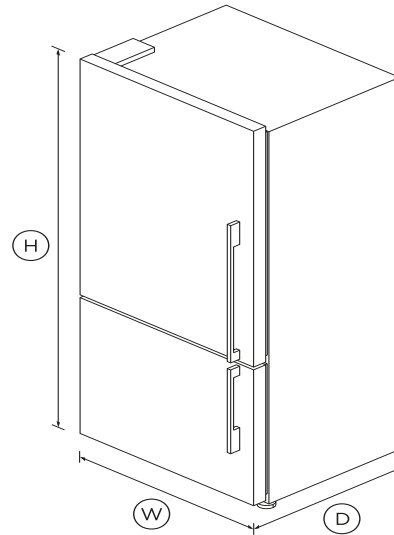


Large capacity in stylish stainless steel, you'll have plenty of room for your chilled and frozen food.

- ActiveSmart technology helps keep food fresher for longer by constantly maintaining the ideal temperature.
- Spacious bottom freezer with full extension drawer gives easy access to frozen goods.
- Choose which side you'd like your door hinge on to suit your kitchen layout

DIMENSIONS

| | |
|--------|--------|
| Height | 1715mm |
| Width | 790mm |
| Depth | 695mm |



FEATURES & BENEFITS

Activesmart Foodcare

Every time you open your refrigerator, the temperature around your food changes. ActiveSmart foodcare adjusts airflow to create a stable temperature, helping your food stay fresher for longer.

Easy cleaning

No more permanent dirty marks with our EZKleen feature for stainless steel refrigerators. Anti-fingerprint coating means you simply wipe clean any marks. Spill-safe secure glass shelves

easily capture any drips or leaks.

Design quality

Our refrigerators are designed and built using quality materials. We use real stainless steel, and solid glass for shelving as well as in our wine cabinet doors.

Clever energy

Your refrigerator adapts to daily use by cooling and defrosting only when needed. This means it uses the energy it needs without compromising on food care.

Humidity control

Your fruit and veges need different environments. The humidity control slides in each storage bin create a microclimate that helps keep food fresher for longer.

SPECIFICATIONS

Capacity

| | |
|---------------------|------|
| Total net volume | 494L |
| Volume freezer | 146L |
| Volume refrigerator | 348L |

Consumption

| | |
|--------------------|-------------|
| Energy consumption | 1.08kWh/24h |
| Energy rating | Grade 2 |

Features

| | |
|--------------------------|---|
| Adjustable door shelves | 4 |
| Adjustable glass shelves | 4 |
| Covered door shelves | 2 |
| Door alarm | • |
| Front levelling feet | • |
| Fruit and vegetable bins | 2 |

| | |
|--------------------------|---|
| Full extension runners | • |
| Full width door shelves | 2 |
| LED lighting | • |
| Rear rollers | • |
| Single bottle holders | 4 |
| SmartTouch control panel | • |
| Stackable bottle holders | 4 |

Freezer Features

| | |
|--------------------|---|
| Bottle chill | • |
| Door alarm | • |
| Fast freeze | • |
| Large plastic bins | • |

Performance

| | |
|-------------------------|---|
| ActiveSmart Foodcare | • |
| Adaptive defrost | • |
| Frost free | • |
| Frost free freezer | • |
| Humidity control system | • |
| Sabbath mode | • |

Power requirements

| | |
|------------------|------------|
| Connection power | 240W |
| Supply voltage | 220 - 240V |

Product dimensions

| | |
|--------|--------|
| Depth | 695mm |
| Height | 1715mm |
| Width | 790mm |

Warranty

| | |
|--------------------------|---------|
| Parts and labour | 1 year |
| Sealed system parts only | 3 years |

| | |
|-----|-------|
| SKU | 25403 |
|-----|-------|

The product dimensions and specifications in this page apply to the specific product and model. Under our policy of continuous improvement, these dimensions and specifications may change at any time. You should therefore check with Fisher & Paykel's Customer Care Centre to ensure this page correctly describes the model currently available. © Fisher & Paykel Appliances Ltd 2020

Other product downloads available at fisherpaykel.com

- [↓](#) User Guide
- [↓](#) User Guide
- [↓](#) Service & Warranty
- [↓](#) Installation & User Guide Refrigerator
- [↓](#) Installation Guide
- [↓](#) Installation Guide - Surround Kit
- [↓](#) Installation Guide
- [↓](#) ZH



A PEACE OF MIND SALE

24 Hours 7 Days a Week Customer Support

T 400 640 8777 **W**www.fisherpaykel.com