

FABRIC CARE

PLANNING GUIDE

Series 7 Front Loader Washer | WH9060D5 | WH9060DG5 | WH1060D5 |
WH1060DG5 | WH1260D5 | WH1260DG5

Series 7 Heat Pump Dryer | DH9060D5 | DH9060DG5 | DH1060D5 |
DH1060DG5

Series 11 Fabric Care Cabinet | FC1260H2 | FC1260HG2

Stacking Kit with Tray | ASKS60W5 | ASKS60G5

Storage Plinth | FM2060S2 | FM2060SG2

FISHER & PAYKEL

INTRODUCTION

This comprehensive planning guide provides you with the framework and tools to achieve your desired design outcome with Fisher & Paykel appliances. In this guide, you will find a range of conceptual, detailed, and dimensional product information to bring your ideas to life and create spaces that truly reflect your vision.

SUPPORT

For additional design planning and installation support please contact the Fisher & Paykel design support team.
designsupport@fisherpaykel.com

NOTES

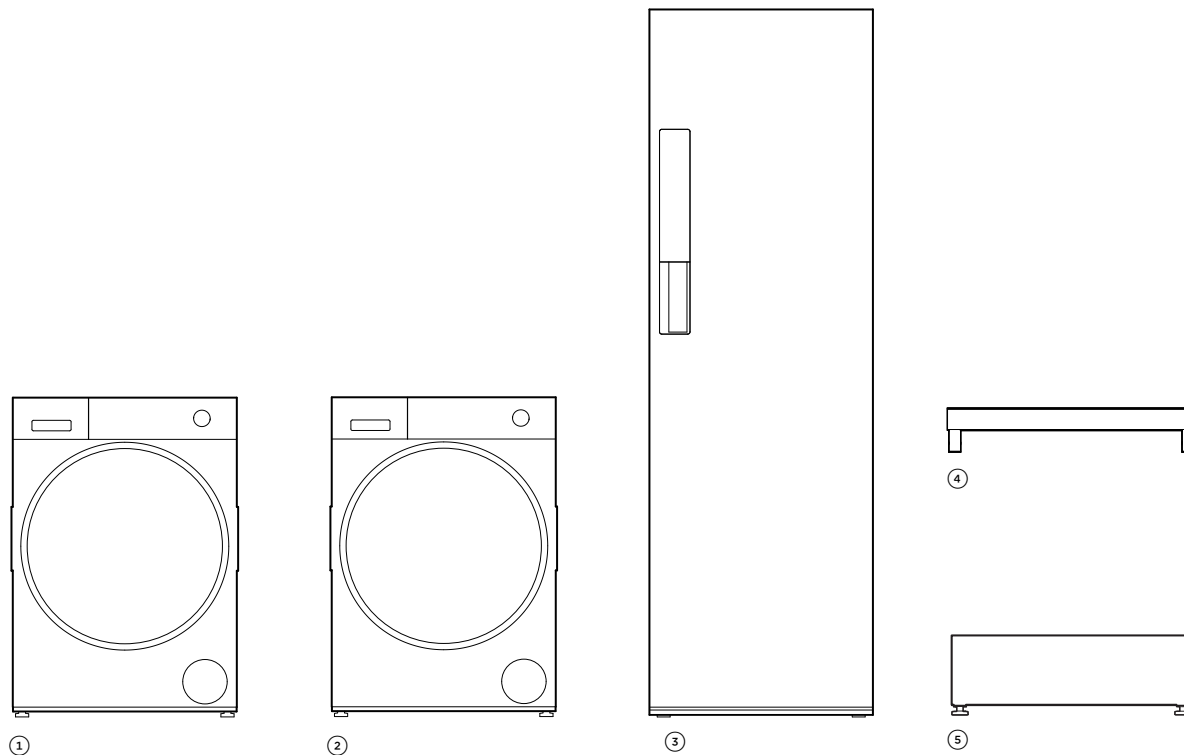
The models shown in this Planning Guide may not be available in all markets and are subject to change at any time. For the latest version of this document, please visit our website at fisherpaykel.com. Product specifications may vary from those shown.

This Planning Guide is not intended to be used as installation guidance for any product. Detailed installation instructions are available on our website.

CONTENTS

CONCEPT DESIGN	PAGE	DEVELOPED AND DETAILED DESIGN	PAGE	DEVELOPED AND DETAILED DESIGN	PAGE
PRODUCT OVERVIEW		DATA SHEETS		SERVICES	
Product Overview	4	WH9060D5, WH9060DG5	13	Front load washers	25
Product Configurations	5	WH1060D5, WH1060DG5, WH1260D5, WH1260DG5	14	Front load dryers	26
		DH9060D5, DH9060DG5, DH1060D5, DH1060DG5	15	Side by side - washer and dryer	27
SPECIFICATION GUIDE		FC1260H2, FC1260HG2	16	Stacked - washer and dryer	28
Fabric Care - All Models	7	ASKS60W5, ASKS60G5	17	Side by Side - washer, dryer and fabric care cabinet	29
Front Loader Washer WH9060D5, WH9060DG5	8	FM2060S2, FM2060SG2	18	Electrical specifications	30
Front Loader Washers WH1060D, WH1260D	9			Stacked - washer, dryer and fabric cabinet	31
Heat Pump Dryers	10	CONFIGURATIONS		Electrical specifications	32
Fabric Care Cabinet	11	Stacked	20		
		Stacked with plinth and cabinet	21		
		Stacked with plinth and two cabinets	22		
		Side by Side	23		

PRODUCT OVERVIEW



PRODUCT OVERVIEW

Series 7 Front Loader Washers

1	WH9060D5*	9kg	White
	WH9060DG5*	9kg	Graphite
	WH1060D5	10kg	White
	WH1060DG5	10kg	Graphite
	WH1260D5	12kg	White
	WH1260DG5	12kg	Graphite

Series 7 Front Heat Pump Dryers

2	DH9060D5	9kg	White
	DH9060DG5	9kg	Graphite
	DH1060D5	10kg	White
	DDH1060DG5	10kg	Graphite

Series 11 Fabric Care Cabinet

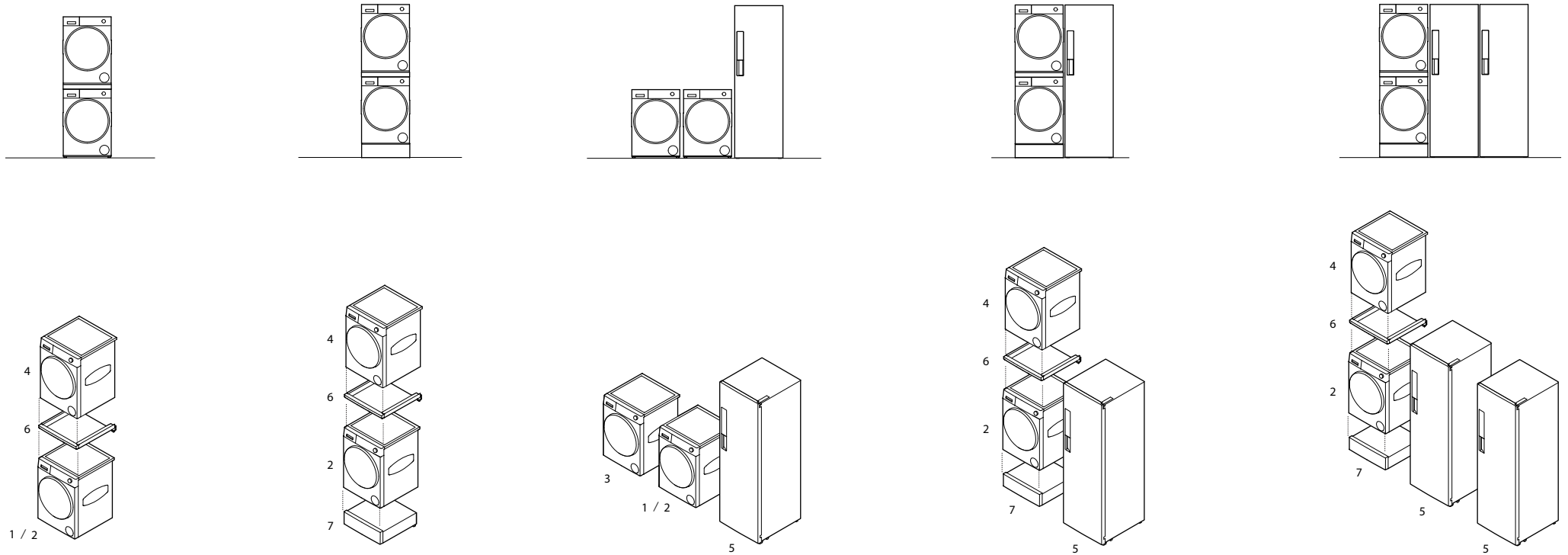
3	FC1260H2	18L	White
	FC1260HG2	18L	White

Accessories overview

4	ASKS60W5	Stacking Kit, White
	ASKS60G5	Stacking Kit, Graphite
5	FM2060S2	Storage Plinth, White
	FC1260HG2	Storage Plinth, Graphite

*Models WH9060D5 and WH9060DG5 cannot be installed on Storage Plinths.

The models shown in this Planning Guide may not be available in all markets and are subject to change at any time. For the latest version of this document, please visit our website at fisherpaykel.com. Product specifications may vary from those shown. The Planning Guide is not intended to be used as installation guidance for any product. Detailed installation instructions are available on our website.



	MODEL CODE	PRODUCT DESCRIPTION	HINGE LOCATION
1	WH9060D5* (White) WH9060DG5 (Graphite)	Front Loader Washer	Left Hand
2	WH1060D5_ (White) WH1060DG5 (Graphite)	Front Loader Washer	Left Hand
	WH1260D5 (White) WH1260DG5 (Graphite)	Front Loader Washer	Left Hand
3	DH9060D5 (White) DH9060DG5 (Graphite)	Heat Pump Dryer	Right Hand (Reversible hinge)
	DH1060D5 (White) DH1060DG5 (Graphite)	Front Loader Washer	Right Hand (Reversible hinge)

*Models WH9060D5 and WH9060DG5 cannot be installed on Storage Plinths.

	MODEL CODE	PRODUCT DESCRIPTION	HINGE LOCATION
4	DH9060D5 (White) DH9060DG5 (Graphite)	Heat Pump Dryer	Left Hand (Reversible hinge)
	DH1060D5 (White) DH1060DG5 (Graphite)	Heat Pump Dryer	Left Hand (Reversible hinge)
5	FC1260H2 (White) FC1260HG2 (Graphite)	Fabric Care Cabinet	Right Hand
6	ASKS60W5 (White) ASKS60G5 (Graphite)	Stacking Kit with Tray	-
7	FM2060S2 (White) FM2060SG2 (Graphite)	Storage Plinth	-

The models shown in this Planning Guide may not be available in all markets and are subject to change at any time. For the latest version of this document, please visit our website at fisherpaykel.com. Product specifications may vary from those shown. The Planning Guide is not intended to be used as installation guidance for any product. Detailed installation instructions are available on our website.

SPECIFICATION GUIDE



OVERVIEW

Elevating beyond the utility space, our Fabric Care Solutions pair sleek design and refined materials with advanced technology.

Available in White or Graphite, Front Loader Washing Machines powered by SmartDrive™ deliver quieter operation, while Heat Pump Dryers with intelligent compressor control and moisture sensing provide efficient, gentle drying.

With a vivid display and dial, intuitive controls make caring for fibres effortless.

Installed side-by-side, or stacked with a Stacking Kit on the Storage Plinth alongside the Fabric Care Cabinet, their aligned proportions and pared-back interfaces bring a cohesive, considered aesthetic to the laundry space or create harmony in wardrobes, mudrooms, and entryways.

FEATURES

- 1 The sleek modern design, large glass door and carefully selected materials elevate our Fabric Care Solutions beyond the utility space. Thoughtfully designed to harmonise with surrounding finishes, they enhance wardrobes, mudrooms, and entryways with a refined, considered presence.
- 2 Front Loader Washing Machines and Heat Pump Dryers are designed as a true pair, with aligned proportions, finishes, and controls. Install them side-by-side or stacked with the Stacking Kit. For the ultimate Fabric Care solution, place a stacked set on the Storage Plinth to pair seamlessly with the Fabric Care Cabinet.
- 3 Interfaces and detailing are paired back to achieve a clean, minimal presentation. This reduction in visual noise helps appliances blend into design-led environments, supporting calm and considered interiors.

- 4 Powered by SmartDrive™ technology, Front Loader Washing Machines deliver quiet operation with few moving parts. This makes them well suited to placement in open-plan areas or wardrobes, where a low-noise environment is important.
- 5 Heat Pump Dryer technology with precise temperature control and moisture sensing delivers efficient yet gentle drying. Intelligent compressor technology adjusts drying temperatures to suit each fibre's durability, while specialised tumble patterns ensure optimal care and cycle times.
- 6 With a vivid display and dial, the modern interface guides users through cycle selection with ease. This intuitive control makes it simple to care for fibres from Down and Elastane to Woolmark Black certified Wool.
- 7 Steam Refresh and Sanitise reduce reliance on dry-cleaning by refreshing garments quickly and safely at home.
- 8 FlexiDose Auto-Dosing protects fibres and prevents waste by dispensing the perfect amount of detergent and softer for every load. With two reservoirs, one for detergent and the other for softener, which can also hold extra detergent if required.
- 9 Designed to reduce running costs and environmental impact with highly efficient energy and water ratings, delivering an effective and sustainable fabric care routine.
- ⑩ SmartHQ™ compatibility enables remote monitoring, notifications when cycles are complete, and software updates when new cycles and feature enhancements are available.

The models shown in this Planning Guide may not be available in all markets and are subject to change at any time. For the latest version of this document, please visit our website at fisherpaykel.com. Product specifications may vary from those shown. The Planning Guide is not intended to be used as installation guidance for any product. Detailed installation instructions are available on our website.

SPECIFICATIONS

Model Number

WH9060D5* 9kg Front Loader Washer, White

WH9060DG5* 9kg Front Loader Washer, Graphite

Product Dimensions

H 850mm W 602mm D 593mm

Electrical

Supply 220-240 V, 50 Hz

Service 10 A

Connection 3-prong grounding-type

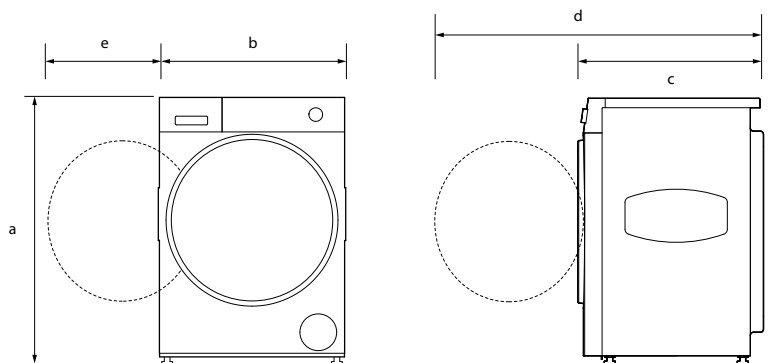
Plumbing

Supply Hose set provided

Service Max. 1MPa (150psi); Min. 50KPa (7psi);
Min 6 litres/min

*Models WH9060D5 and WH9060DG5 cannot be installed on Storage Plinths.

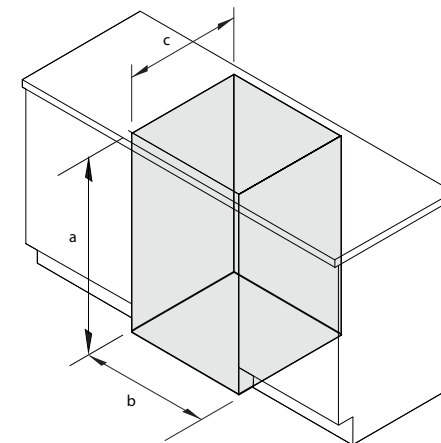
PRODUCT DIMENSIONS



FRONT VIEW

PROFILE VIEW

CAVITY DIMENSIONS



ISOMETRIC VIEW

	mm		mm
A Overall height	850	A Minimum height	865
Height of adjustable mounted feet	max +10	B Minimum width	622
B Overall width including chassis form	602	C Minimum depth	623
Overall width front chassis	592	D Minimum visual gap to adjacent cabinetry and product*	15
C Overall depth*	593		
D Depth with the door open	1167		
E Door clearance to adjacent wall	267		

*Applies to sides and top

*Includes door when closed

SPECIFICATIONS

Model Number

WH1060D5	10kg Front Loader Washer, White
WH1060DG5	10kg Front Loader Washer, Graphite
WH1260P5	12kg Front Loader Washer, White
WH1260PG5	12kg Front Loader Washer, Graphite

Product Dimensions

H 850mm **W** 602mm **D** 661mm

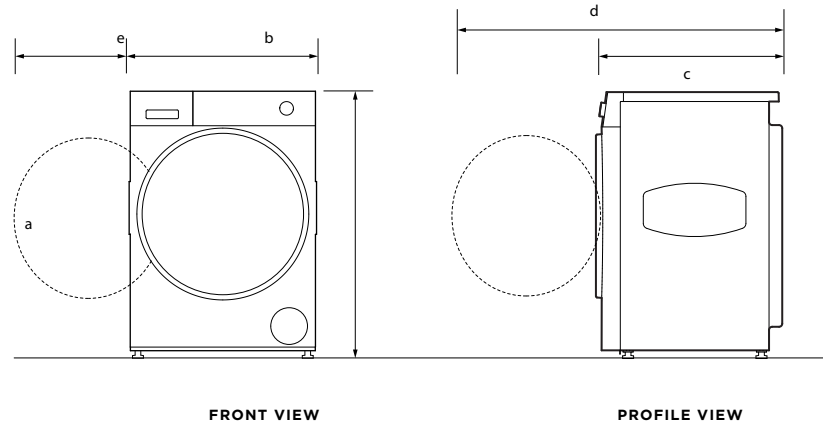
Electrical

Supply	220-240 V, 50 Hz
Service	10 A
Connection	3-prong grounding-type

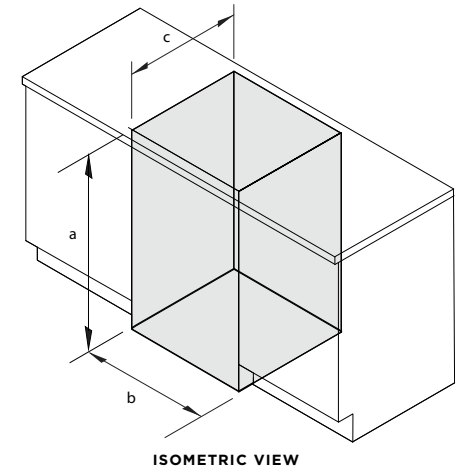
Plumbing

Supply	Hose set provided
Service	Max. 1MPa (150psi); Min. 50KPa (7psi); Min 6 litres/min

PRODUCT DIMENSIONS



CAVITY DIMENSIONS



	mm		mm
A Overall height	850	A Minimum height	865
Height of adjustable mounted feet	max +10	B Minimum width	622
B Overall width including chassis form	602	C Minimum depth	668
Overall width front chassis	592	Minimum visual gap to adjacent cabinetry and product*	15
C Overall depth*	661		
D Depth with the door open	1167		
E Door clearance to adjacent wall	267		

*Includes door when closed

*Applies to sides and top

SPECIFICATIONS

Model Number

DH9060D5	9kg Heat Pump Dryer, White
DH9060DG5	9kg Heat Pump Dryer, Graphite
DH1060D5	10kg Heat Pump Dryer, White
DH1060DG5	10kg Heat Pump Dryer, Graphite

Product Dimensions

H 850mm **W** 602mm **D** 682mm

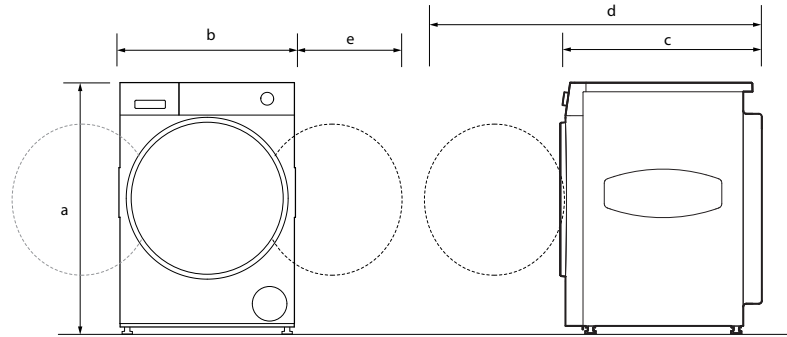
Electrical

Supply	220-240 V, 50 Hz
Service	10 A
Connection	3-prong grounding-type

Plumbing

Supply	Hose set provided
Service	Max. 1MPa (150psi); Min. 50KPa (7psi); Min 6 litres/min

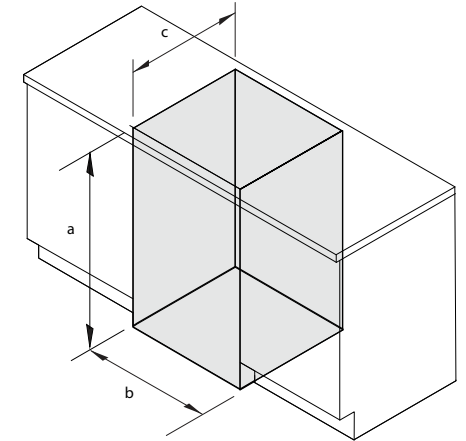
PRODUCT DIMENSIONS



FRONT VIEW

PROFILE VIEW

CAVITY DIMENSIONS



ISOMETRIC VIEW

	mm		mm
A Overall height	850	A Minimum height	865
Height of adjustable mounted feet	min -5 max +5	B Minimum width	622
B Overall width including chassis form	602	C Minimum depth	688
Overall width front panel	592	Minimum visual gap to adjacent cabinetry and product*	15
C Overall depth*	682	*Applies to sides and top	
D Depth with the door open	1167		
E Door clearance to adjacent wall	267		

*Includes door when closed

The models shown in this Planning Guide may not be available in all markets and are subject to change at any time. For the latest version of this document, please visit our website at fisherpaykel.com. Product specifications may vary from those shown. The Planning Guide is not intended to be used as installation guidance for any product. Detailed installation instructions are available on our website.

SPECIFICATIONS

Model Number

FC1260H2 Fabric Care Cabinet, White

FC1260HG2 Fabric Care Cabinet, Graphite

Product Dimensions

H 1900mm **W** 600mm **D** 660mm

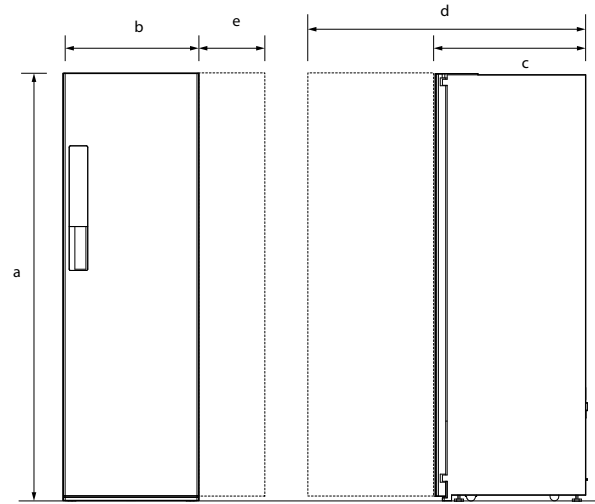
Electrical

Supply 220-240 V, 50 Hz

Service 10 A

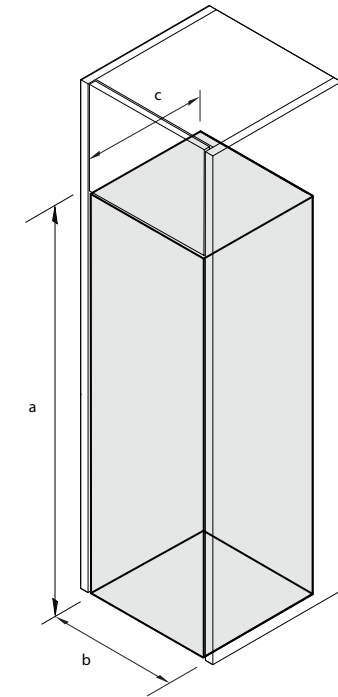
Connection 3-prong grounding-type

PRODUCT DIMENSIONS



ISOMETRIC VIEW

CAVITY DIMENSIONS



ISOMETRIC VIEW

	mm
A Overall height	1900
Height of adjustable mounted feet	max +12
B Overall width	600
C Overall depth*	663
D Depth with the door open	1285
E Door clearance to adjacent wall	min 235

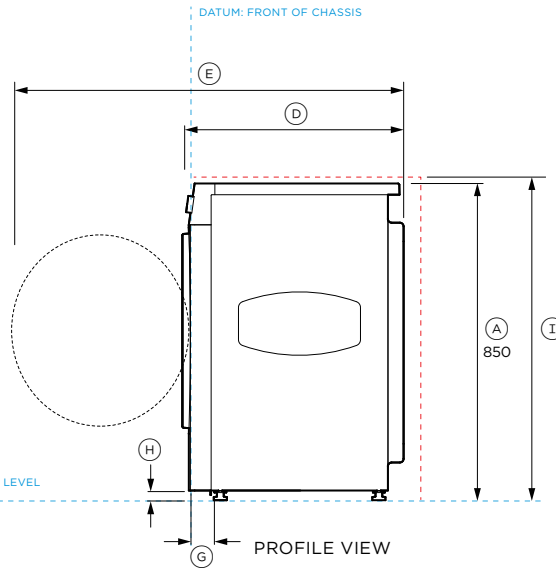
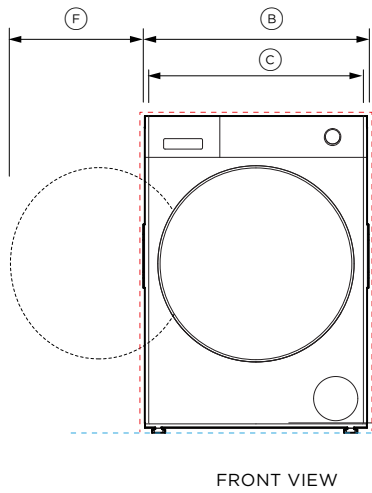
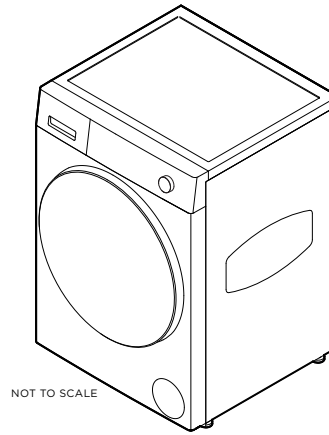
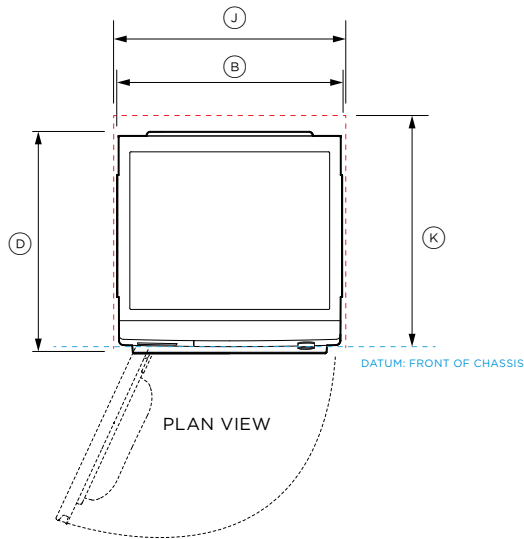
*With door closed

	mm
A Minimum height	1915
B Minimum width	630
C Minimum depth	700
Minimum visual gap to adjacent cabinetry and product*	15

*Applies to sides and top

The models shown in this Planning Guide may not be available in all markets and are subject to change at any time. For the latest version of this document, please visit our website at fisherpaykel.com. Product specifications may vary from those shown. The Planning Guide is not intended to be used as installation guidance for any product. Detailed installation instructions are available on our website.

DATA SHEETS



Model no:

WH9060D5, WH9060DG5

Product Dimensions

	mm
(A) Overall height	850
(B) Overall width including chassis form	602
Overall width excluding chassis form	595
(C) Overall width front panel	592
(D) Overall depth	593
(E) Depth with the door open	1167
(F) Door clearance to adjacent wall	min 267
(G) Overall depth of finished front panel	55
(H) Height of adjustable mounted feet	min -5 max +10

Cavity Dimensions: Standard Installation

	mm
(I) Minimum height of cavity*	865
(J) Minimum width	622
(K) Minimum overall cavity depth Flush with front panel of the chassis	623
Minimum gap clearance to adjacent product or cabinetry**	10
Minimum visual gap to adjacent cabinetry and product	15

* Depends on feet adjustment

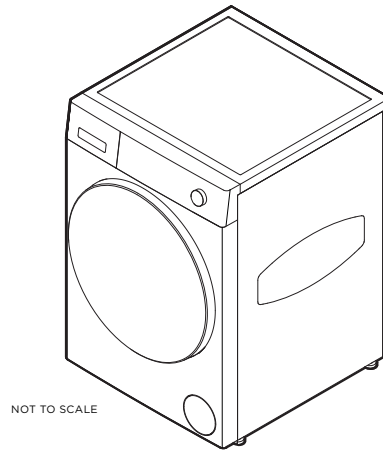
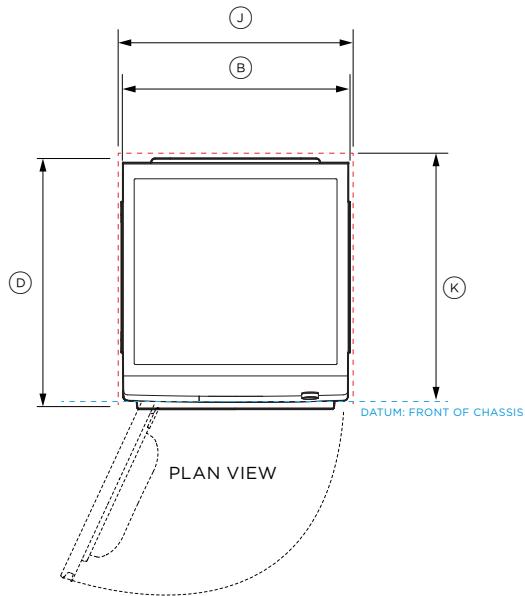
** Applies to sides and top

----- INDICATES CABINETRY / PRODUCT DATUM

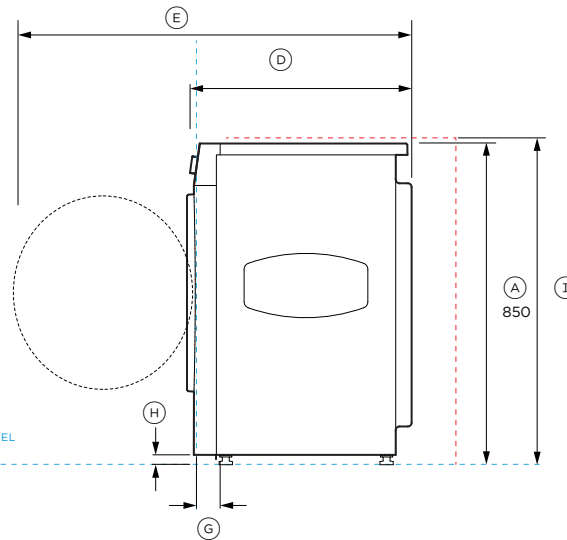
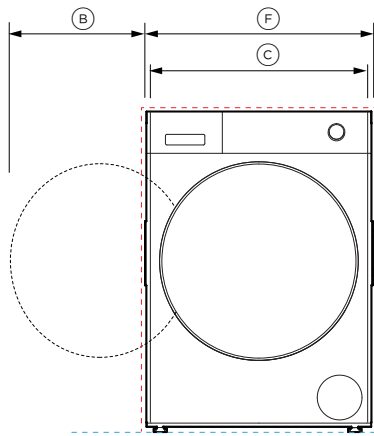
----- INDICATES CABINETRY CLEARANCES

----- INDICATES CUTOUT

IMPORTANT NOTE: Throughout this guide, dimensions may vary by ±2mm (1/16"). Please read the installation manual for detailed information on installing the product. For full installation instructions & specifications visit fisherpaykel.com



DATUM: FRONT OF CHASSIS



Model no:

WH1060D5, WH1060DG5, WH1260D5, WH1260DG5

Product Dimensions

	mm
(A) Overall height	850
(B) Overall width including chassis form	602
Overall width excluding chassis form	595
(C) Overall width front panel	592
(D) Overall depth	661
(E) Depth with the door open	1167
(F) Door clearance to adjacent wall	min 267
(G) Overall depth of finished front panel	55
(H) Height of adjustable mounted feet	min -5 max +10

Cavity Dimensions: Standard Installation

	mm
(I) Minimum height of cavity*	865
(J) Minimum width	622
(K) Minimum overall cavity depth Flush with front panel of the chassis	668
Minimum gap clearance to adjacent product or cabinetry**	10
Minimum visual gap to adjacent cabinetry and product	15

* Depends on feet adjustment

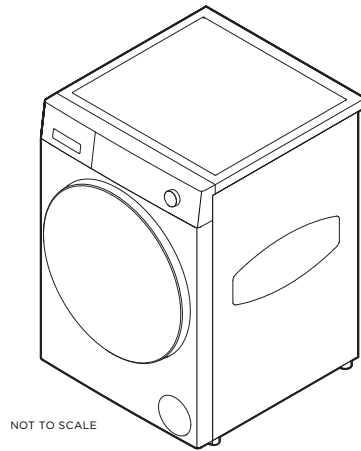
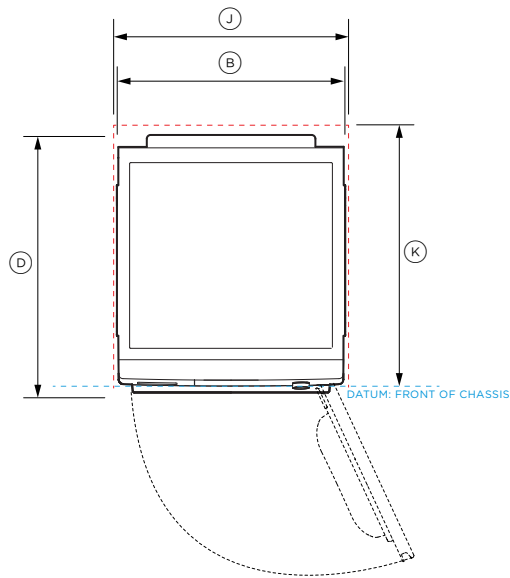
** Applies to sides and top

----- INDICATES CABINETRY / PRODUCT DATUM

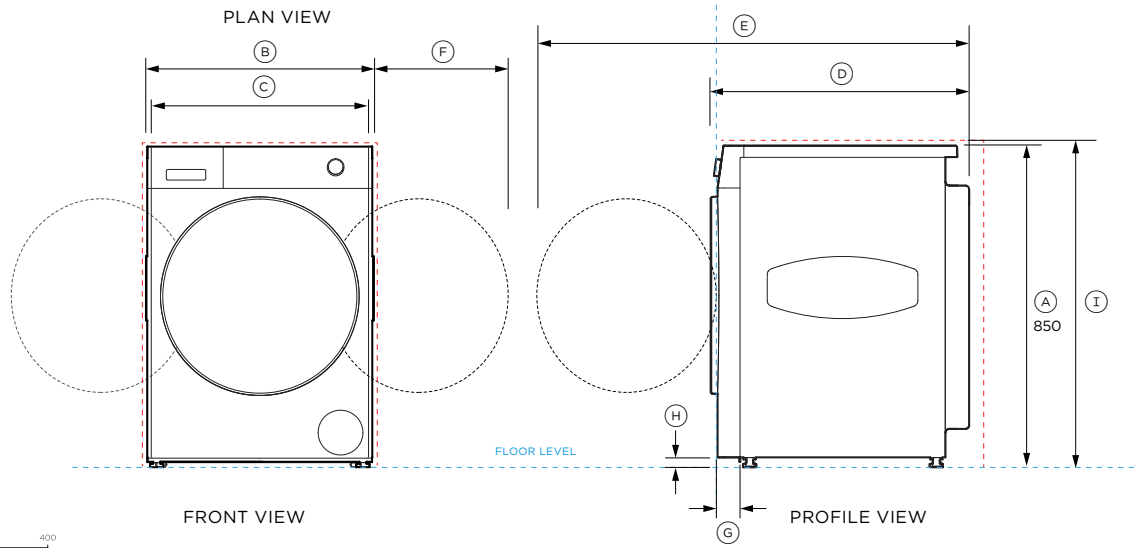
----- INDICATES CABINETRY CLEARANCES

----- INDICATES CUTOUT

IMPORTANT NOTE: Throughout this guide, dimensions may vary by ±2mm (1/16"). Please read the installation manual for detailed information on installing the product. For full installation instructions & specifications visit fisherpaykel.com



ISOMETRIC VIEW



Model no:

DH9060D5, DH9060DG5, DH1060D5, DH1060DG5

Product Dimensions

	mm
(A) Overall height	850
(B) Overall width including chassis form	602
Overall width excluding chassis form	595
(C) Overall width front panel	592
(D) Overall depth	682
(E) Depth with the door open***	1167
(F) Door clearance to adjacent wall	min 267
(G) Overall depth of finished front panel	55
(H) Height of adjustable mounted feet	min -5 max +5

Cavity Dimensions: Standard Installation

	mm
(I) Minimum height of cavity*	865
(J) Minimum width	622
(K) Minimum overall cavity depth Flush with front panel of the chassis	688
Minimum gap clearance to adjacent product or cabinetry**	10
Minimum visual gap to adjacent cabinetry and product	15

* Depends on feet adjustment

** Applies to sides and top

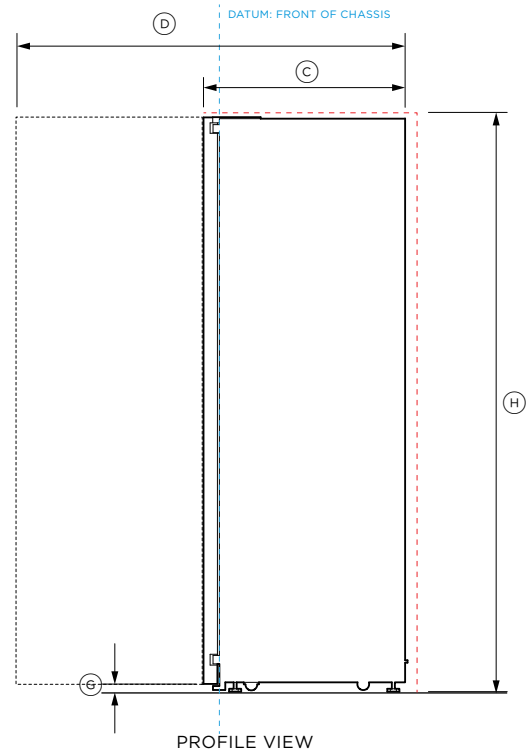
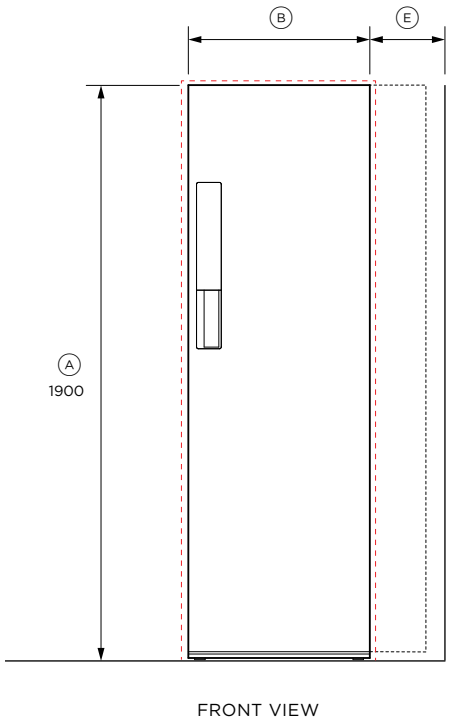
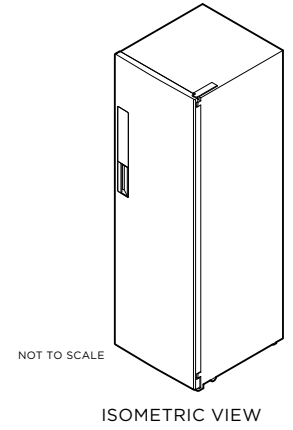
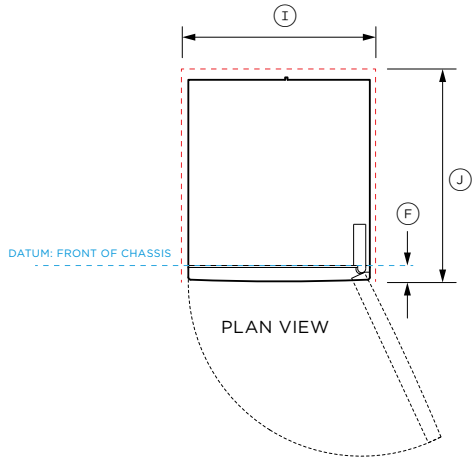
***Dryer door hinge is reversible

----- INDICATES CABINETRY / PRODUCT DATUM

----- INDICATES CABINETRY CLEARANCES

----- INDICATES CUTOUT

IMPORTANT NOTE: Throughout this guide, dimensions may vary by ±2mm (1/16"). Please read the installation manual for detailed information on installing the product. For full installation instructions & specifications visit fisherpaykel.com



Model no:
FC1260H2, FC1260HG2

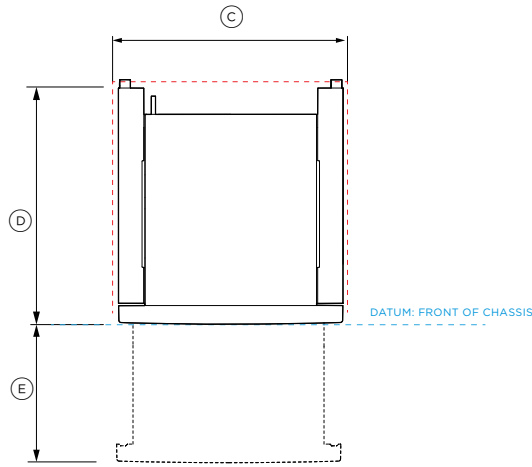
Product Dimensions		mm
(A)	Overall height	1900
(B)	Overall width	600
(C)	Overall depth	663
(D)	Depth with the door open	1240
(E)	Door clearance to adjacent wall	min 235
(F)	Door thickness	55
(G)	Height of adjustable mounted feet	max +12

Cavity Dimensions: Standard Installation		mm
(H)	Minimum height of cavity*	1915
(I)	Minimum width	630
(J)	Minimum overall cavity depth	700
Minimum gap clearance to adjacent product or cabinetry**		15

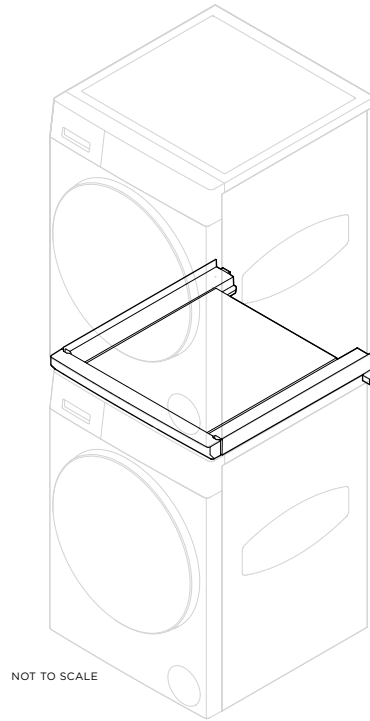
* Depends on feet adjustment
** Applies to sides and top

----- INDICATES CABINETRY / PRODUCT DATUM
- - - - - INDICATES CABINETRY CLEARANCES
- · - · - INDICATES CUTOUT

IMPORTANT NOTE: Throughout this guide, dimensions may vary by ±2mm (1/16"). Please read the installation manual for detailed information on installing the product. For full installation instructions & specifications visit fisherpaykel.com

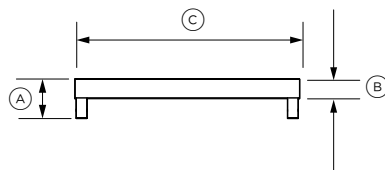


PLAN VIEW

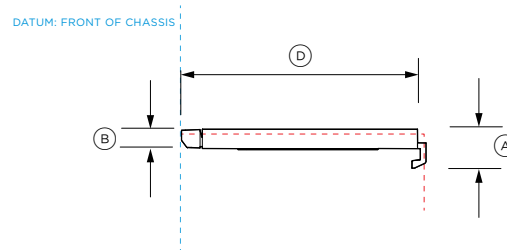


NOT TO SCALE

ISOMETRIC VIEW



FRONT VIEW



PROFILE VIEW

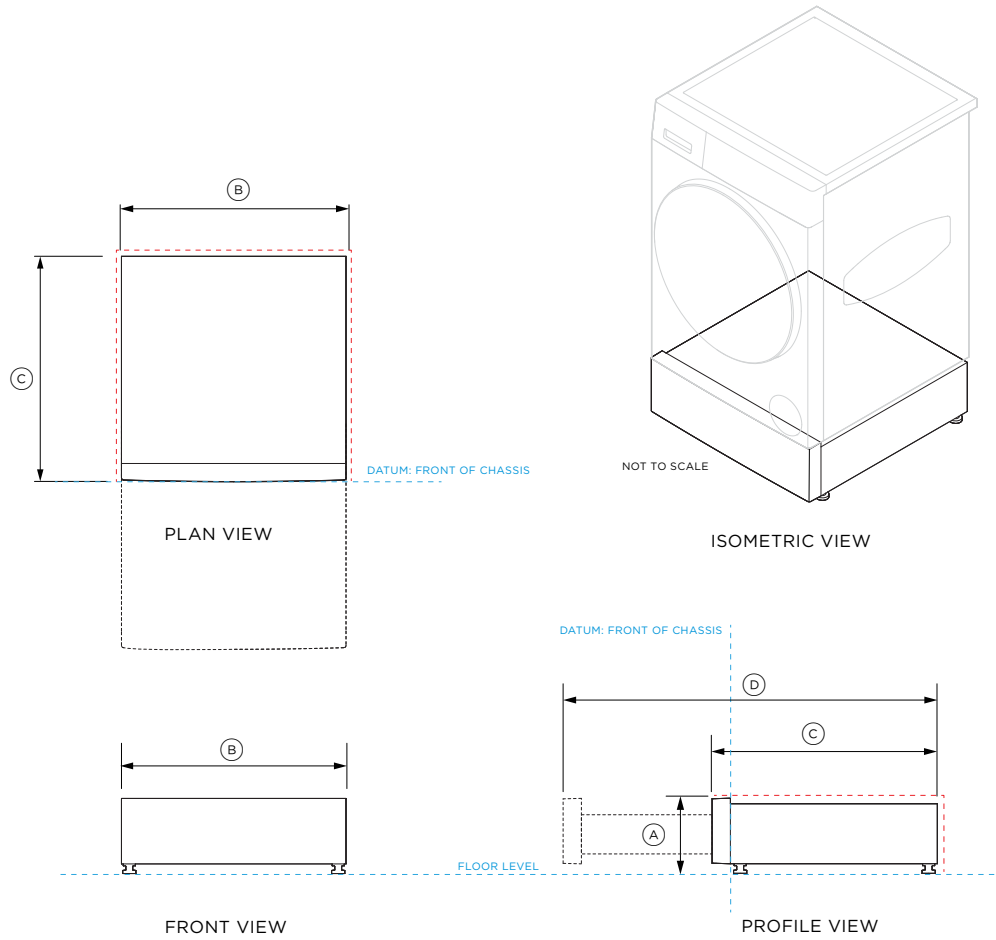


Model no:
Stacking kit ASKS60W5, ASKS60G5

Product Dimensions	mm
Ⓐ Overall height	104
Ⓑ Shelf height	52
Ⓒ Overall width	595
Ⓓ Overall depth	648
Ⓔ Tray extension	405

----- INDICATES CABINERY / PRODUCT DATUM
 - - - - - INDICATES CABINERY CLEARANCES
 - · - · - INDICATES CUTOUT

IMPORTANT NOTE: Throughout this guide, dimensions may vary by ±2mm (1/16"). Please read the installation manual for detailed information on installing the product. For full installation instructions & specifications visit fisherpaykel.com



Model no:
Storage Plinth, FM2060S2, FM2060SG2

Product Dimensions	mm
Ⓐ Overall height	201
Ⓑ Overall width	595
Ⓒ Overall depth	628
Ⓓ Drawer extension	1068
Ⓔ Height of adjustable mounted feet	max 10

----- INDICATES CABINETRY / PRODUCT DATUM
 - - - - - INDICATES CABINETRY CLEARANCES
 - - - - - INDICATES CUTOUT

IMPORTANT NOTE: Throughout this guide, dimensions may vary by ±2mm (1/16"). Please read the installation manual for detailed information on installing the product. For full installation instructions & specifications visit fisherpaykel.com

CONFIGURATIONS

Washing Machine

WH9060D5*	White
WH9060DG5*	Graphite
WH1060D5*	White
WH1060DG5*	Graphite

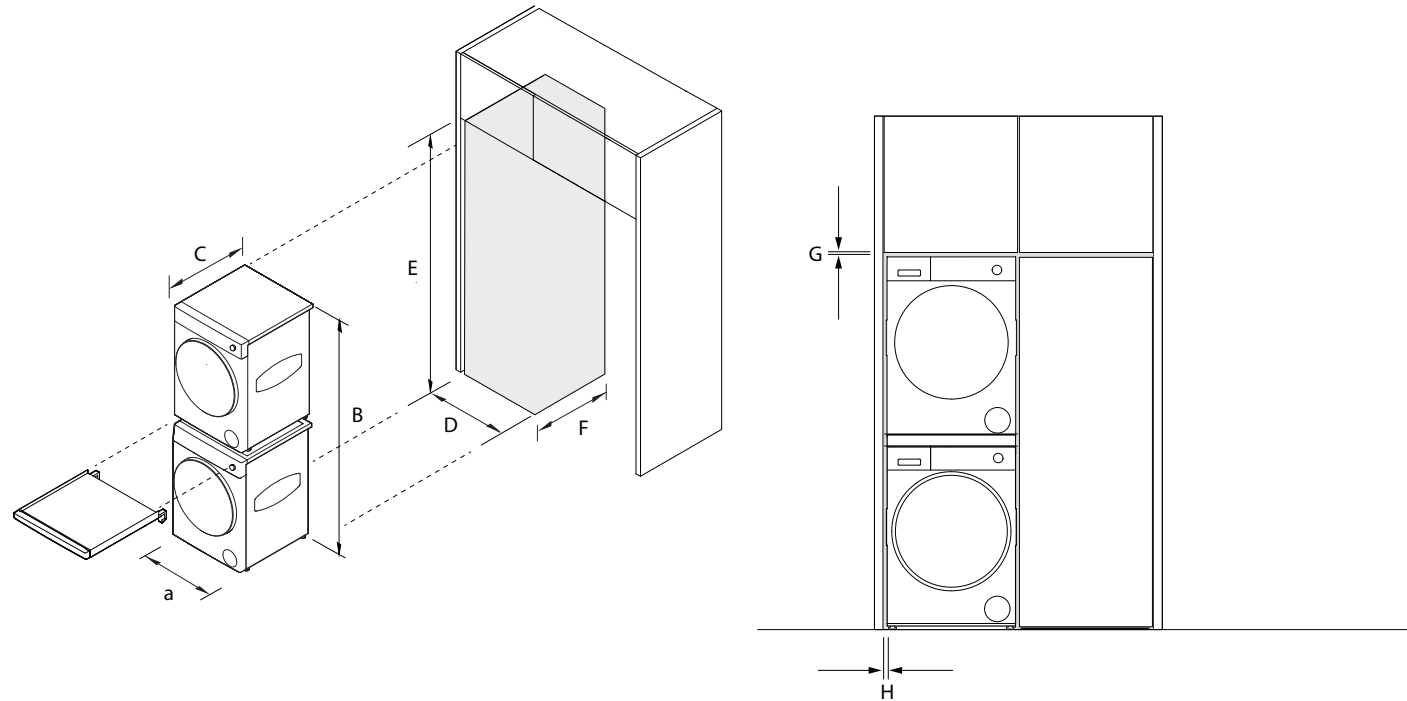
Heat Pump Dryer

DH9060D5**	White
DH9060DG5**	Graphite
DH1060D5**	White
DH1060DG5**	Graphite

Stacking Kit with Tray

ASKS60W5	White
----------	-------

*Right Hand Hinge
 **Left Hand Hinge (Dryer hinges can be reversed)



PRODUCT DIMENSIONS	
	mm
Ⓐ Overall products width Washer, Dryer and Stacking Kit	602
Ⓑ Overall product height Washer, Dryer and Stacking Kit	1720
Ⓒ Overall product depth Washer, Dryer and Stacking Kit	682

CAVITY DIMENSIONS	
	mm
Ⓓ Overall cavity width	622
Ⓔ Overall cavity height	1740
Ⓕ Overall cavity depth	688

GAPS	
	mm
Ⓖ Minimum top gap clearance	10
Minimum visual top gap	15
Ⓖ Minimum vertical gap clearance visual gap	10
Minimum visual vertical gap	15

* Washer and Dryer width exclude the chassis form

The models shown in this Planning Guide may not be available in all markets and are subject to change at any time. For the latest version of this document, please visit our website at fisherpaykel.com. Product specifications may vary from those shown. The Planning Guide is not intended to be used as installation guidance for any product. Detailed installation instructions are available on our website.

Washing Machine

WH1260D5* White

WH1260DG5* Graphite

Heat Pump Dryer

DH9060D5** White

DH9060DG5** Graphite

DH1060D5** White

DH1060DG5** Graphite

Fabric Care Cabinet

FC1260H2* White

FC1260HG2* Graphite

Stacking Kit with Tray

ASKS60W5 White

ASKS60G5 Graphite

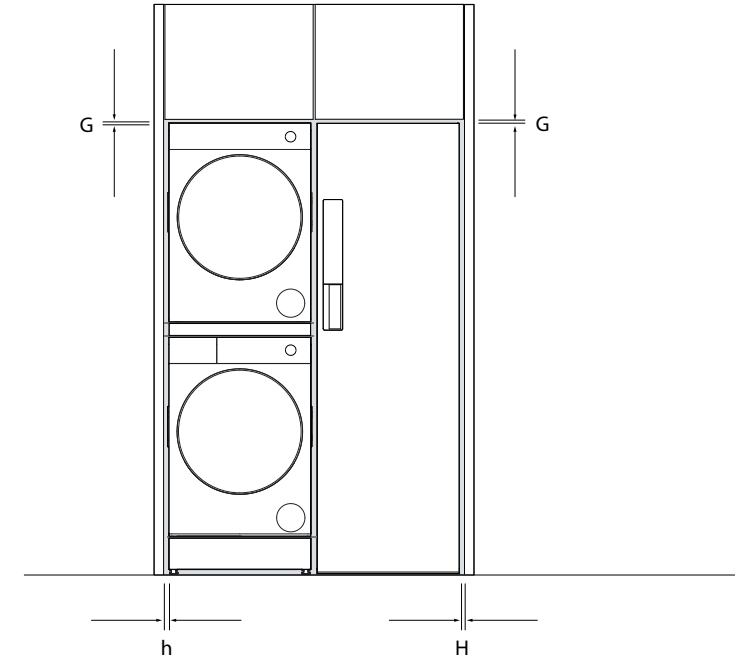
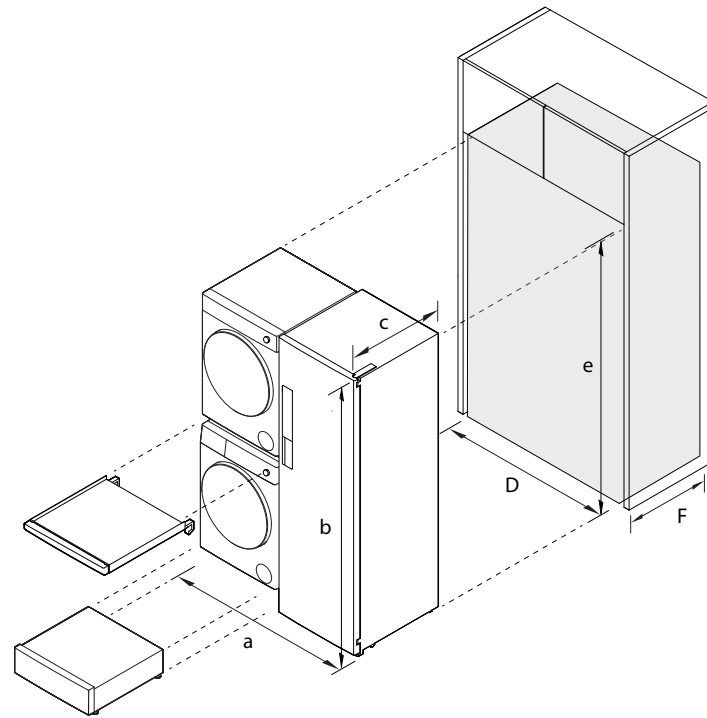
Storage Plinth

FM2060S2 White

FM2060SG2 Graphite

*Right Hand Hinge

**Left Hand Hinge (Dryer hinges can be reversed)



PRODUCT DIMENSIONS	
	mm
Ⓐ Overall products width Washer, Dryer, Plinth, Stacking Kit and Fabric Care Cabinet	1212
Ⓑ Overall product height Washer, Dryer, Plinth, Stacking Kit and Fabric Care Cabinet	1900
Ⓒ Overall product depth Washer, Dryer, Plinth, Stacking Kit and Fabric Care Cabinet	682

CAVITY DIMENSIONS	
	mm
Ⓓ Overall cavity width	1237
Ⓔ Overall cavity height	1915
Ⓕ Overall cavity depth	700

GAPS	
	mm
Ⓖ Minimum top gap clearance	10
Minimum visual top gap	15
Ⓗ Minimum vertical gap clearance visual gap	10
Minimum visual vertical gap	15

* Washer and Dryer width exclude the chassis form

The models shown in this Planning Guide may not be available in all markets and are subject to change at any time. For the latest version of this document, please visit our website at fisherpaykel.com. Product specifications may vary from those shown. The Planning Guide is not intended to be used as installation guidance for any product. Detailed installation instructions are available on our website.

Washing Machine

WH1260D5* White

WH1260DG5* Graphite

Heat Pump Dryer

DH9060D5** White

DH9060DG5** Graphite

DH1060D5** White

DH1060DG5** Graphite

Fabric Care Cabinet

FC1260H2* White

FC1260HG2* Graphite

Stacking Kit with Tray

ASKS60W5 White

ASKS60G5 Graphite

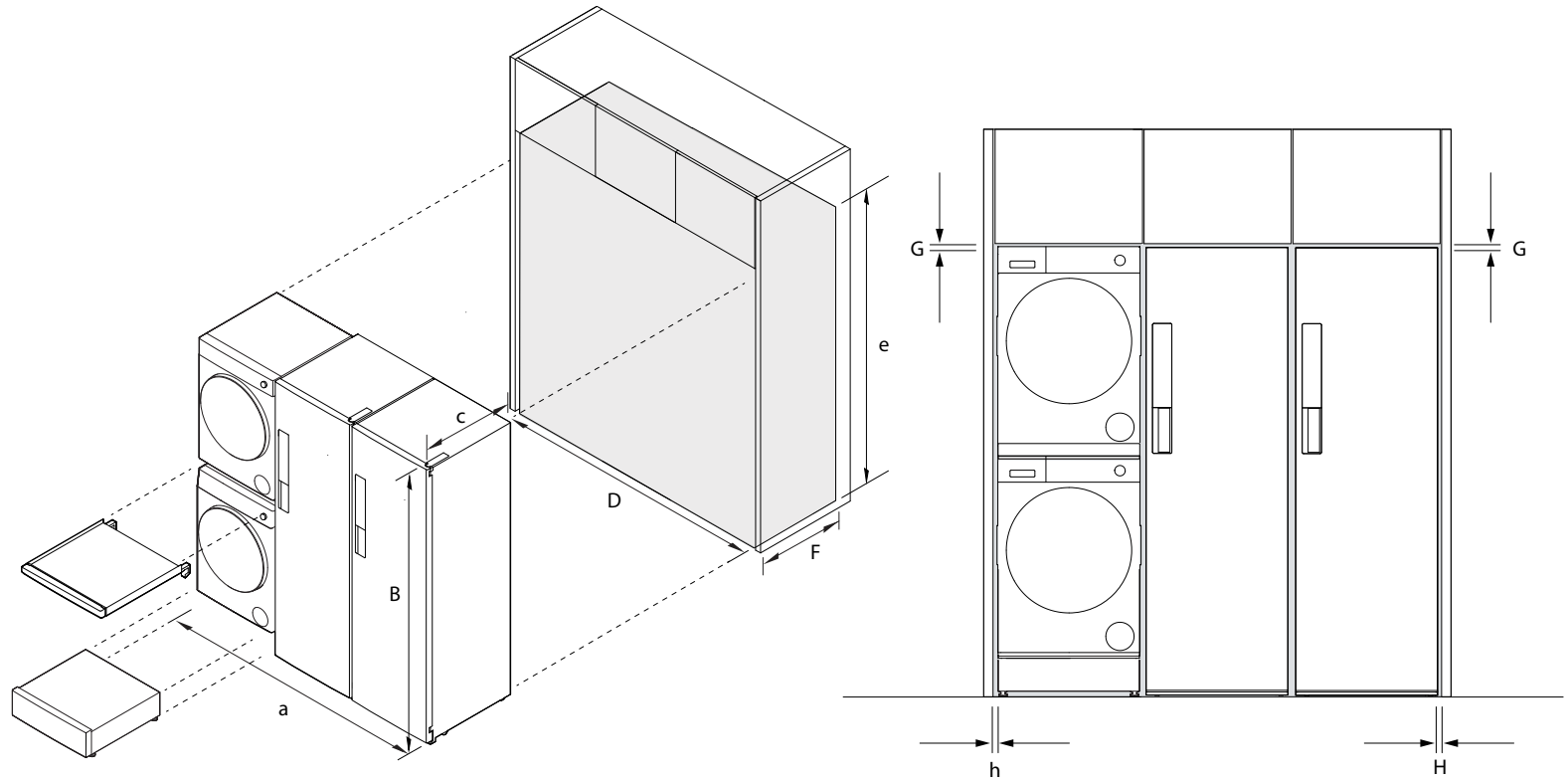
Storage Plinth

FM2060S2 White

FM2060SG2 Graphite

*Right Hand Hinge

**Left Hand Hinge (Dryer hinges can be reversed)



PRODUCT DIMENSIONS		mm
Ⓐ	Overall products width Washer, Dryer, Plinth, Stacking Kit and Fabric Care Cabinets	1827
Ⓑ	Overall product height Washer, Dryer, Plinth, Stacking Kit and Fabric Care Cabinets	1900
Ⓒ	Overall product depth Washer, Dryer, Plinth, Stacking Kit and Fabric Care Cabinets	682

CAVITY DIMENSIONS		mm
Ⓓ	Overall cavity width	1852
Ⓔ	Overall cavity height	1915
Ⓕ	Overall cavity depth	700

GAPS		mm
Ⓖ	Minimum top gap clearance	10
	Minimum visual top gap	15
Ⓗ	Minimum vertical gap clearance visual gap	10
	Minimum visual vertical gap	15

* Washer and Dryer width exclude the chassis form

The models shown in this Planning Guide may not be available in all markets and are subject to change at any time. For the latest version of this document, please visit our website at fisherpaykel.com. Product specifications may vary from those shown. The Planning Guide is not intended to be used as installation guidance for any product. Detailed installation instructions are available on our website.

SIDE BY SIDE WITH PLINTH

Washing Machine

WH1260D5* White

WH1260DG5* Graphite

*Left Hand Hinge

Heat Pump Dryer

DH9060D5* White

DH9060DG5* Graphite

DH1060D5* White

DH1060DG5* Graphite

**Right Hand Hinge,
Reversible Hinge

Fabric Care Cabinet

FC1260H2*** White

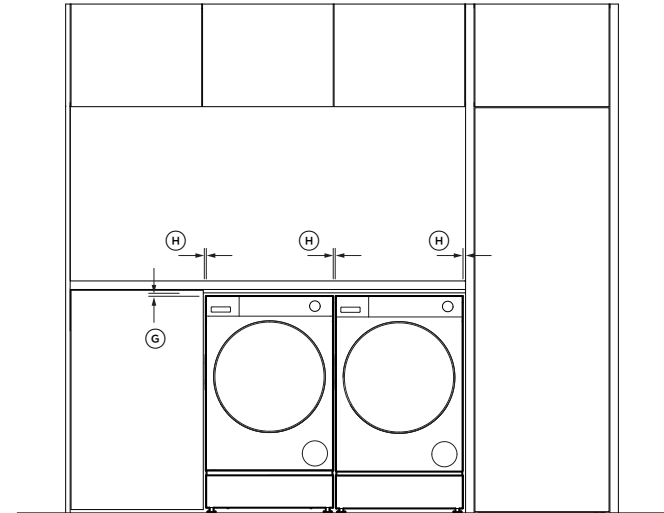
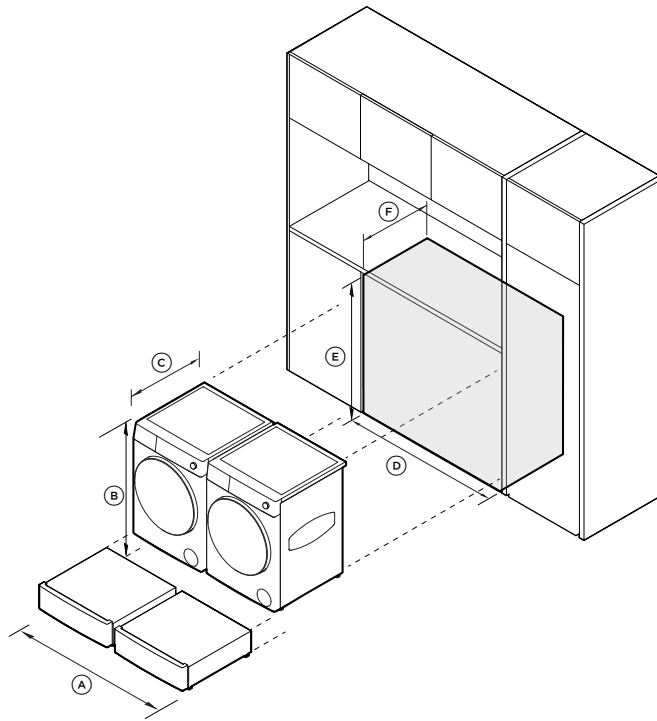
FC1260HG2*** Graphite

***Right Hand Hinge

Storage Plinth

FM2060S2 White

FM2060SG2 Graphite



PRODUCT DIMENSIONS	
	mm
Ⓐ Overall products width Washer, Dryer, Plinth, Stacking Kit and Fabric Care Cabinets	1214
Ⓑ Overall product height Washer, Dryer, Plinth, Stacking Kit and Fabric Care Cabinets	1025
Ⓒ Overall product depth Washer, Dryer, Plinth, Stacking Kit and Fabric Care Cabinets	695

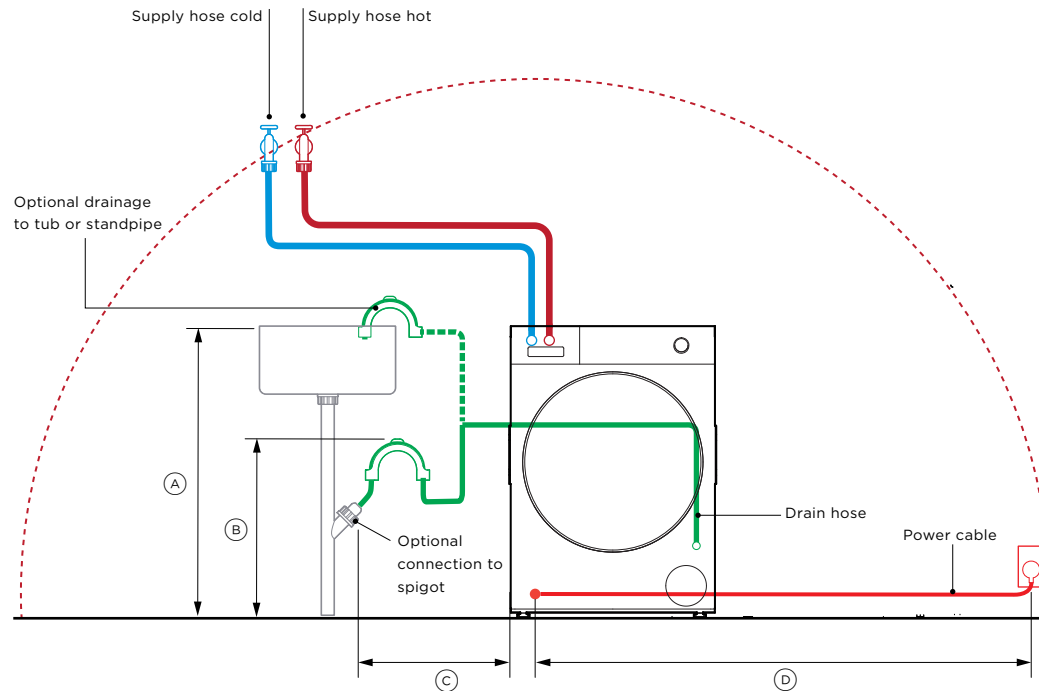
CAVITY DIMENSIONS	
	mm
Ⓓ Overall cavity width	1236
Ⓔ Overall cavity height	1042
Ⓕ Overall cavity depth	688

GAPS	
	mm
Ⓖ Minimum top gap clearance	10
Minimum visual top gap	15
Ⓗ Minimum vertical gap clearance visual gap	10
Minimum visual vertical gap	15

* Washer and Dryer width exclude the chassis form

The models shown in this Planning Guide may not be available in all markets and are subject to change at any time. For the latest version of this document, please visit our website at fisherpaykel.com. Product specifications may vary from those shown. The Planning Guide is not intended to be used as installation guidance for any product. Detailed installation instructions are available on our website.

SERVICES



Model nos:

Front Loader Washing Machine - WH9060D5, WH9060DG5, WH1060D5, WH1060DG5, WH1260D5, WH1260DG5

Product Dimensions

	mm
Ⓐ Maximum standpipe or tub height	1000
With storage plinth*	1200
Ⓑ Minimum standpipe or tub height	600
With storage plinth*	800
Ⓒ Maximum distance to standpipe when located on the left	400
Maximum distance to standpipe when located on the right	1000
Ⓓ Maximum power cord length to power outlet	1400

* The storage plinth is compatible with washers WH1260P5 and WH1260PG5 only.

Specifications

Electrical

Supply	220 - 240 VAC, 50 Hz
Service	10 Amps
Outlet	3-prong grounding - type

Plumbing

Supply	Hose set provided
Pressure	Max. 1MPa (150psi) Min. 50KPa (7psi); Min 6 litres/min

NOTES: Connections may be located in an adjacent cabinet to either side of the washer

Ensure power will remain accessible following install to allow access for any future product maintenance.

A washer and dryer without separate cold-water inlets shall be no more than 900mm apart in order to use steam cycles on the dryer.

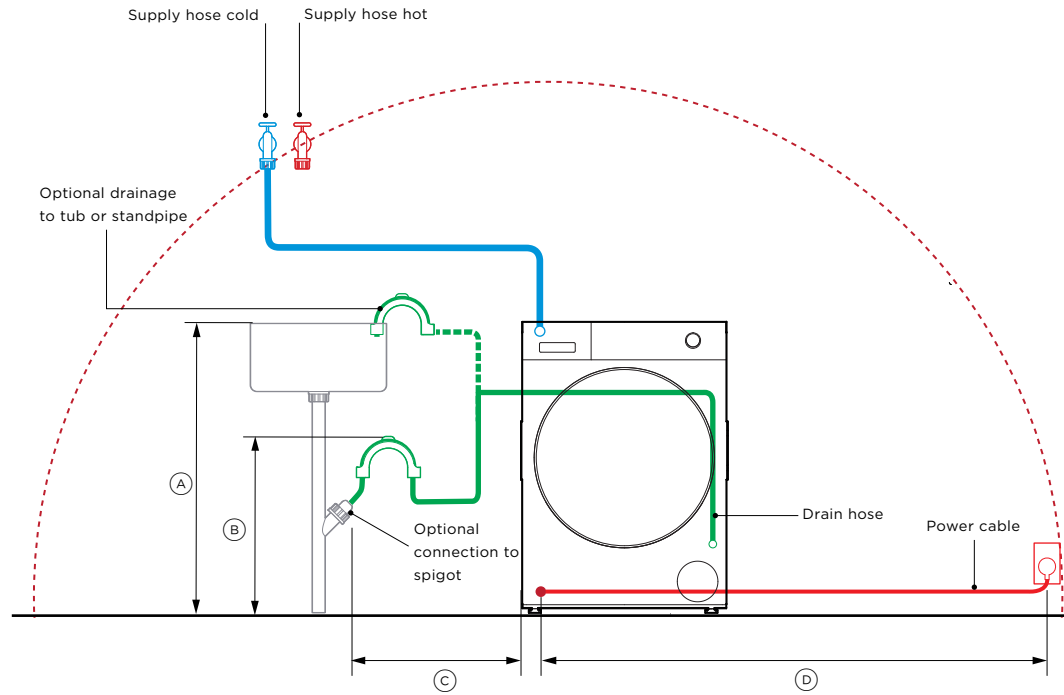
Multiple product installation requires the design of water and power outlets according to local regulations.

----- INDICATES CABINETRY / PRODUCT DATUM

----- INDICATES CABINETRY CLEARANCES

----- INDICATES CUTOUT

IMPORTANT NOTE: Throughout this guide, dimensions may vary by ±2mm (1/16"). Please read the installation manual for detailed information on installing the product. For full installation instructions & specifications visit fisherpaykel.com



Model nos:

Front Loader Dryer - DH9060D5, DH9060DG5, DH1060D5, DH1060DG5

Product Dimensions

	mm
A) Maximum standpipe or tub height	1000
With storage plinth	1200
B) Minimum standpipe or tub height	600
With storage plinth	800
C) Maximum distance to standpipe when located on the left	400
Maximum distance to standpipe when located on the right	1000
D) Maximum power cord length to power outlet	1400

Specifications

Electrical

Supply	220 - 240 VAC, 50 Hz
Service	10 Amps
Outlet	3-prong grounding - type

Plumbing

Supply	Hose set provided
Pressure	Max. 1MPa (150psi) Min. 50KPa (7psi); Min 6 litres/min

NOTES:

Connections may be located in an adjacent cabinet to either side of the washer. Ensure power will remain accessible following install to allow access for any future product maintenance.

A washer and dryer without separate cold-water inlets shall be no more than 900mm apart in order to use steam cycles on the dryer.

Multiple product installation requires the design of water and power outlets according to local regulations.

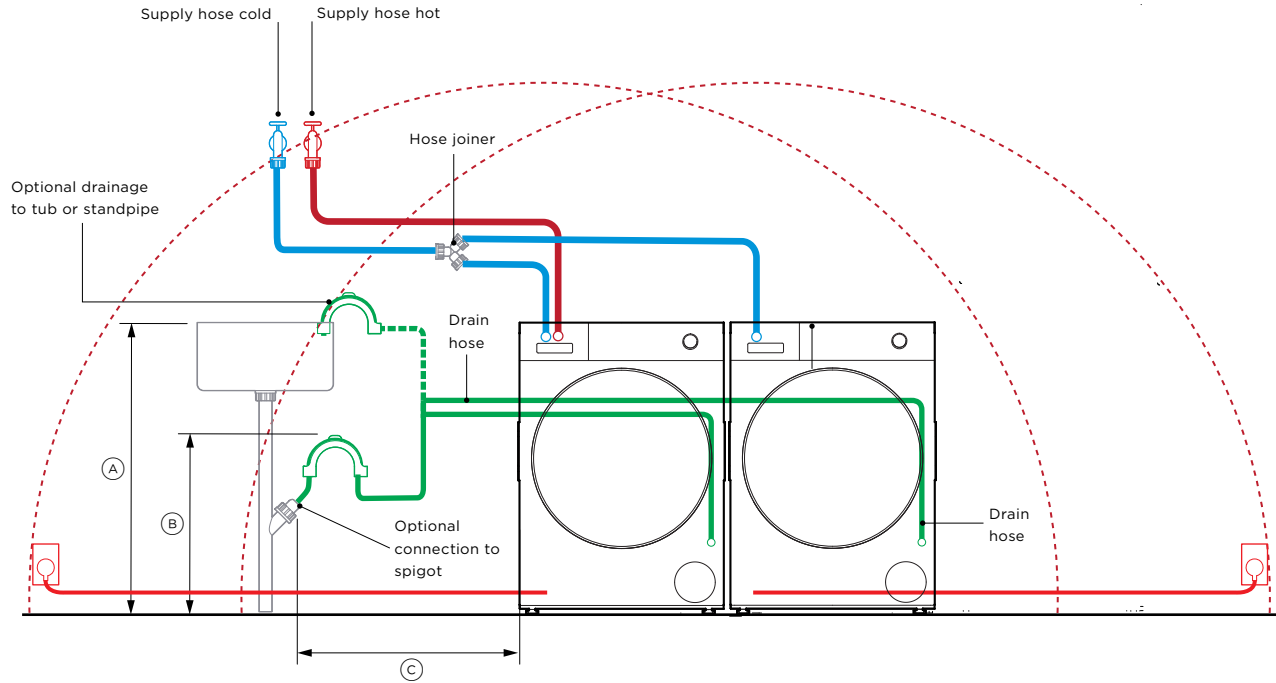
----- INDICATES CABINETRY / PRODUCT DATUM

----- INDICATES CABINETRY CLEARANCES

----- INDICATES CUTOUT

IMPORTANT NOTE: Throughout this guide, dimensions may vary by ±2mm (1/16"). Please read the installation manual for detailed information on installing the product. For full installation instructions & specifications visit fisherpaykel.com

DATA SHEET | SIDE BY SIDE WASHER AND DRYER



Model nos:

Front Loader Washing Machine - WH9060D5, WH9060DG5, WH1060D5, WH1060DG5, WH1260D5, WH1260DG5
 Front Loader Dryer - DH9060D5, DH9060DG5, DH1060D5, DH1060DG5

Product Dimensions

	mm
Ⓐ Maximum standpipe or tub height with storage plinth*	1000 1200
Ⓑ Minimum standpipe or tub height with storage plinth*	600 800
Ⓒ Maximum distance to standpipe from washer and dryer Maximum distance to standpipe when located on the right	400 1000

* The storage plinth is compatible with washers WH1260P5 and WH1260PG5 and all dryers.

Specifications (per product)

Electrical

Supply	220 - 240 VAC, 50 Hz
Service	10 Amps
Outlet	3-prong grounding-type

Plumbing

Supply	Hose set provided
Pressure	Max. 1MPa (150psi) Min. 50KPa (7psi); Min 6 litres/min

NOTES:

Connections may be located in an adjacent cabinet to either side of dryer

A washer and dryer without separate cold-water inlets shall be no more than 900mm apart.

Multiple product installation requires the design of water and power outlets according to local regulations.

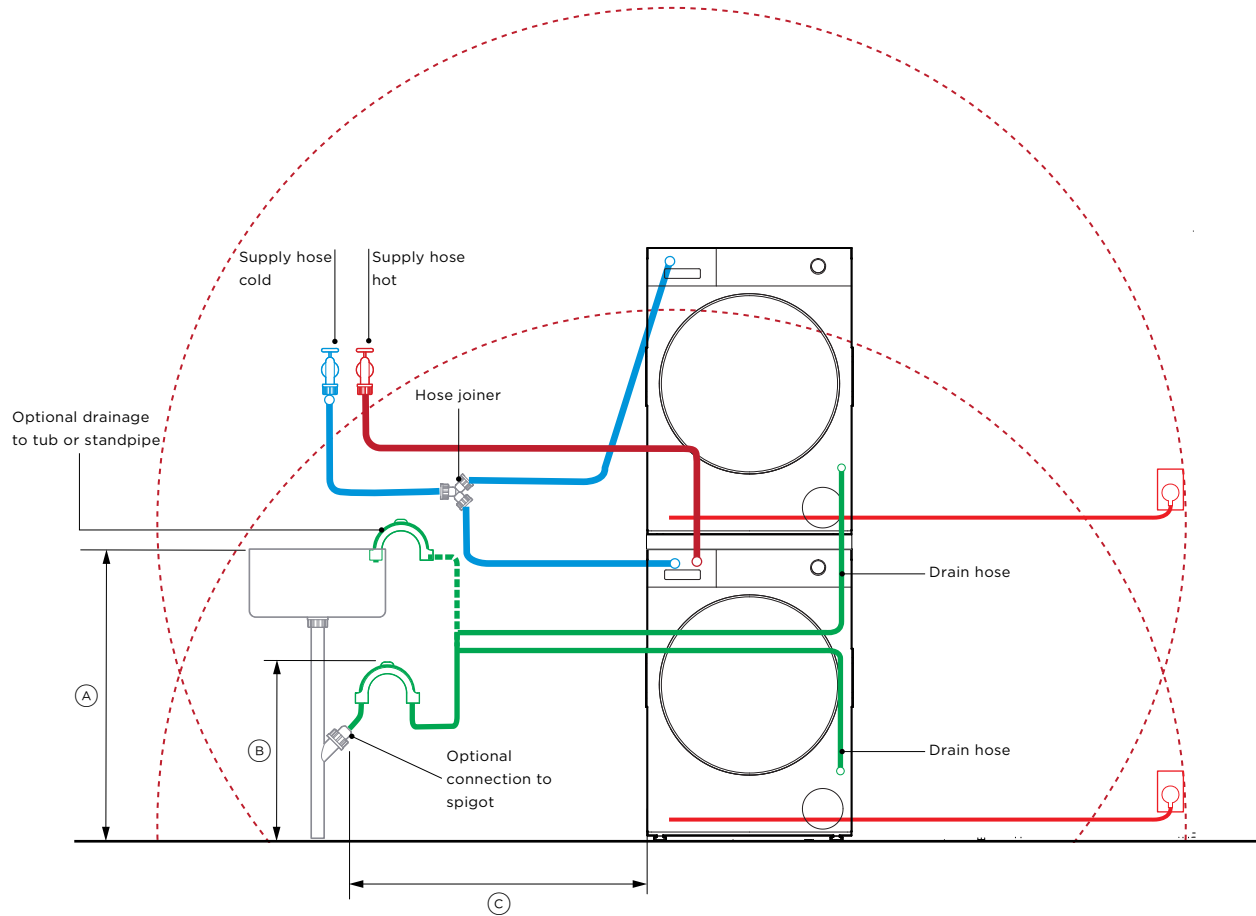
----- INDICATES CABINETRY / PRODUCT DATUM

----- INDICATES CABINETRY CLEARANCES

----- INDICATES CUTOUT

IMPORTANT NOTE: Throughout this guide, dimensions may vary by $\pm 2\text{mm}$ (1/16"). Please read the installation manual for detailed information on installing the product. For full installation instructions & specifications visit fisherpaykel.com

DATA SHEET | STACKED WASHER AND DRYER



Model nos:

Front Loader Washing Machine - WH9060D5, WH9060DG5, WH1060D5, WH1060DG5, WH1260D5, WH1260DG5
 Front Loader Dryer - DH9060D5, DH9060DG5, DH1060D5, DH1060DG5
 Stacking kit: ASKS60W5, ASKS60G5

Product Dimensions

	mm
Ⓐ Maximum standpipe or tub height	1000
with storage plinth	1200
Ⓑ Minimum standpipe or tub height	600
with storage plinth	800
Ⓒ Maximum distance to standpipe from washer and dryer	400
Maximum distance to standpipe when located on the right	1000

* The storage plinth is compatible with washers WH1060D5, WH1060DG5, WH1260D5, WH1260DG5 and all dryers.

Specifications (per product)

Electrical

Supply	220 - 240 VAC, 50 Hz
Service	10 Amps
Outlet	3-prong grounding-type

Plumbing

Supply	Hose set provided
Pressure	Max. 1MPa (150psi) Min. 50KPa (7psi); Min 6 litres/min

NOTES:

Connections may be located in an adjacent cabinet to either side of dryer

A washer and dryer without separate cold-water inlets shall be no more than 900mm apart.

Multiple product installation requires the design of water and power outlets according to local regulations.

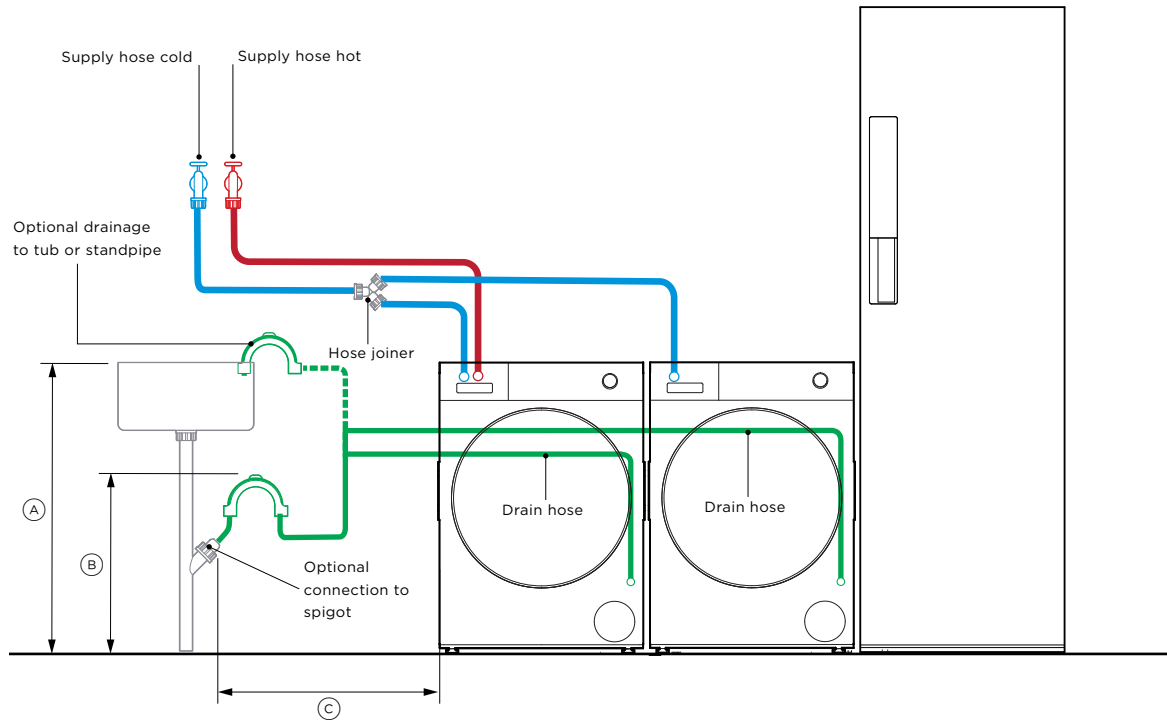
----- INDICATES CABINETRY / PRODUCT DATUM

----- INDICATES CABINETRY CLEARANCES

----- INDICATES CUTOUT

IMPORTANT NOTE: Throughout this guide, dimensions may vary by $\pm 2\text{mm}$ (1/16"). Please read the installation manual for detailed information on installing the product. For full installation instructions & specifications visit fisherpaykel.com

SERVICES | SIDE BY SIDE WASHER, DRYER AND FABRIC CABINET



Maximum Distance of Water Supply and Drainage Hoses

Model nos:

Front Loader Washing Machine - WH9060D5, WH9060DG5, WH1060D5, WH1060DG5, WH1260D5, WH1260DG5
 Front Loader Dryer - DH9060D5, DH9060DG5, DH1060D5, DH1060DG5
 Fabric Care Cabinet - FC1260H2, FC1260HG2

Product Dimensions

	mm
a Maximum standpipe or tub height	1000
with storage plinth	1200
B Minimum standpipe or tub height	600
with storage plinth	800
C Maximum distance to standpipe from washer and dryer	400

* The storage plinth is compatible with washers WH1060D5, WH1060DG5, WH1260D5, WH1260DG5 and all dryers.

Specifications (per product)

Electrical

Supply	220 - 240 VAC, 50 Hz
Service	10 A
Outlet	3-prong grounding-type

Plumbing

Supply	Hose set provided
Pressure	Max. 1MPa (150psi) Min. 50KPa (7psi); Min 6 litres/min

NOTES:

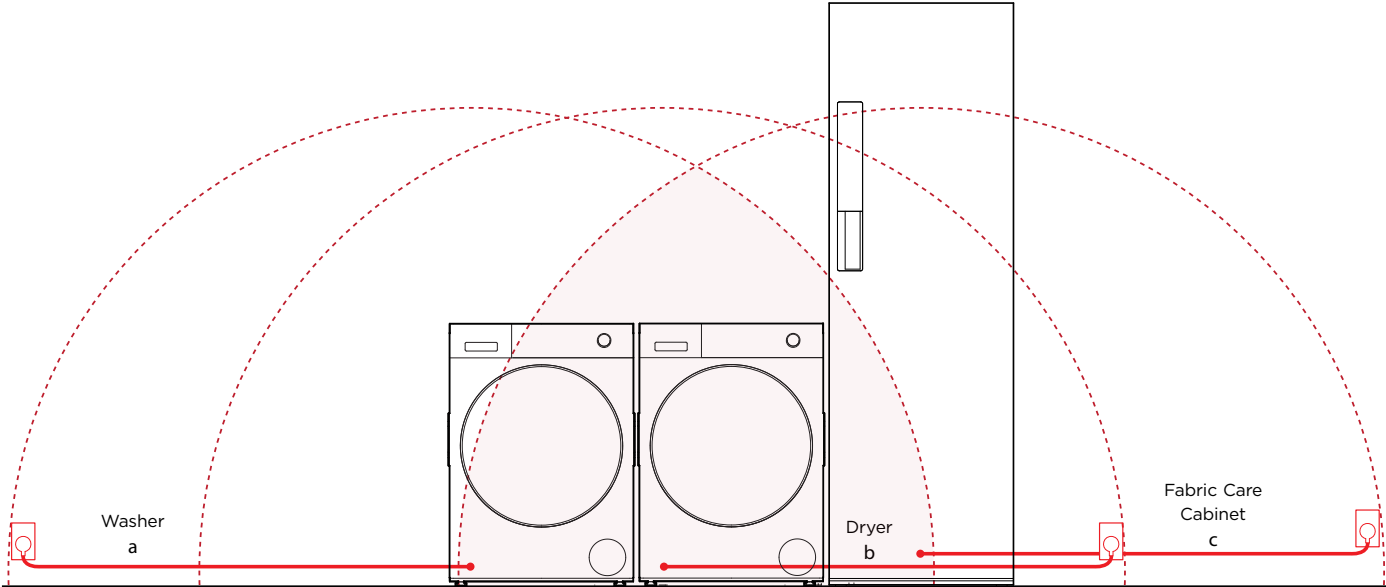
Connections may be located in an adjacent cabinet to either side of dryer

A washer and dryer without separate cold-water inlets shall be no more than 900mm apart.

Multiple product installation requires the design of water and power outlets according to local regulations.

IMPORTANT NOTE: Throughout this guide, dimensions may vary by $\pm 2\text{mm}$ ($1/16''$). Please read the Installation Guide for detailed information on installing the product. For full installation instructions visit fisherpaykel.com

SERVICES | ELECTRICAL SPECIFICATIONS - **SIDE BY SIDE WASHER, DRYER AND FABRIC CABINET**



Maximum Distance of Power Cords

Model nos:

Front Loader Washing Machine - WH9060D5, WH9060DG5, WH1060D5, WH1060DG5, WH1260D5, WH1260DG5
 Front Loader Dryer - DH9060D5, DH9060DG5, DH1060D5, DH1060DG5
 Fabric Care Cabinet - FC1260H2, FC1260HG2

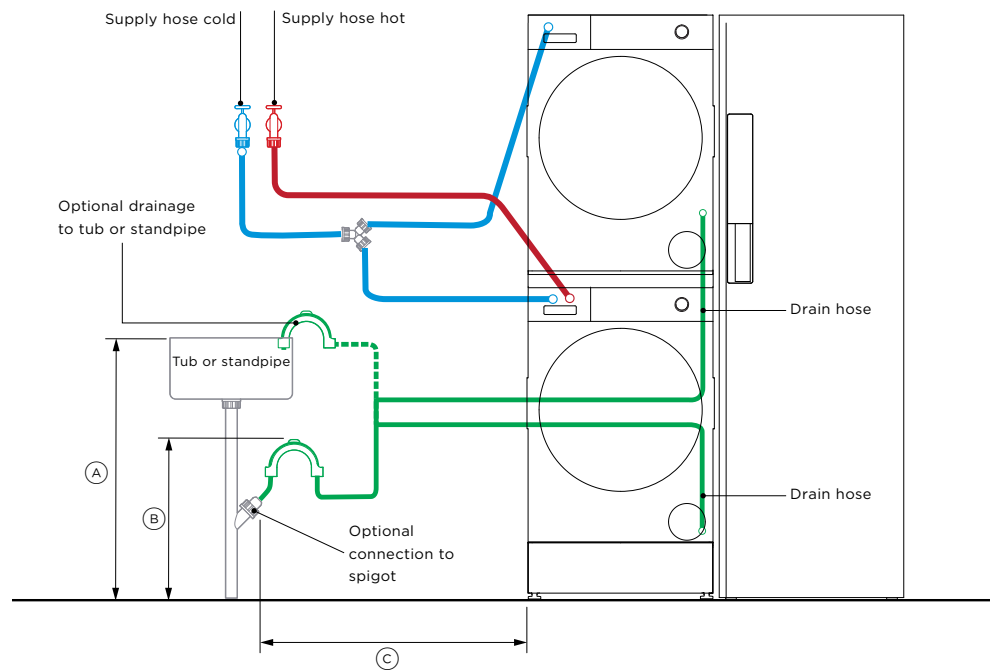
Product Dimensions

	mm
a Maximum power cord length from power outlet	1400
B Maximum power cord length from power outlet	1400
C Maximum power cord length from power outlet	1400

NOTES:

Connections may be located in an adjacent cabinet to either side of dryer
 Ensure power will remain accessible following install to allow access for any future product maintenance.
 Multiple product installation requires the design of water and power outlets according to local regulations.

IMPORTANT NOTE: Throughout this guide, dimensions may vary by ±2mm (1/16"). Please read the Installation Guide for detailed information on installing the product. For full installation instructions visit fisherpaykel.com



Maximum Distance of Water Supply and Drainage Hoses

Model nos:

Front Loader Washing Machine - WH1060D5, WH1060DG5, WH1260D5, WH1260DG5
 Front Loader Dryer - DH9060D5, DH9060DG5, DH1060D5, DH1060DG5
 Fabric Care Cabinet - FC1260H2, FC1260HG2
 Stacking kit: ASKS60W5, ASKS60G5
 Storage Plinth - FM2060S2, FM2060SG2

Product Dimensions	mm
a Maximum standpipe or tub height	1000
with storage plinth*	1200
B Minimum standpipe or tub height	600
with storage plinth*	800
C Maximum distance to standpipe from washer and dryer	400

* The storage plinth is compatible with washers WH1060D5, WH1060DG5, WH1260D5, WH1260DG5 and all dryers.

Specifications (per product)

Electrical

Supply	220 - 240 VAC, 50 Hz
Service	10 A
Outlet	3-prong grounding-type

Plumbing

Supply	Hose set provided
Pressure	Max. 1MPa (150psi) Min. 50KPa (7psi); Min 6 litres/min

NOTES:

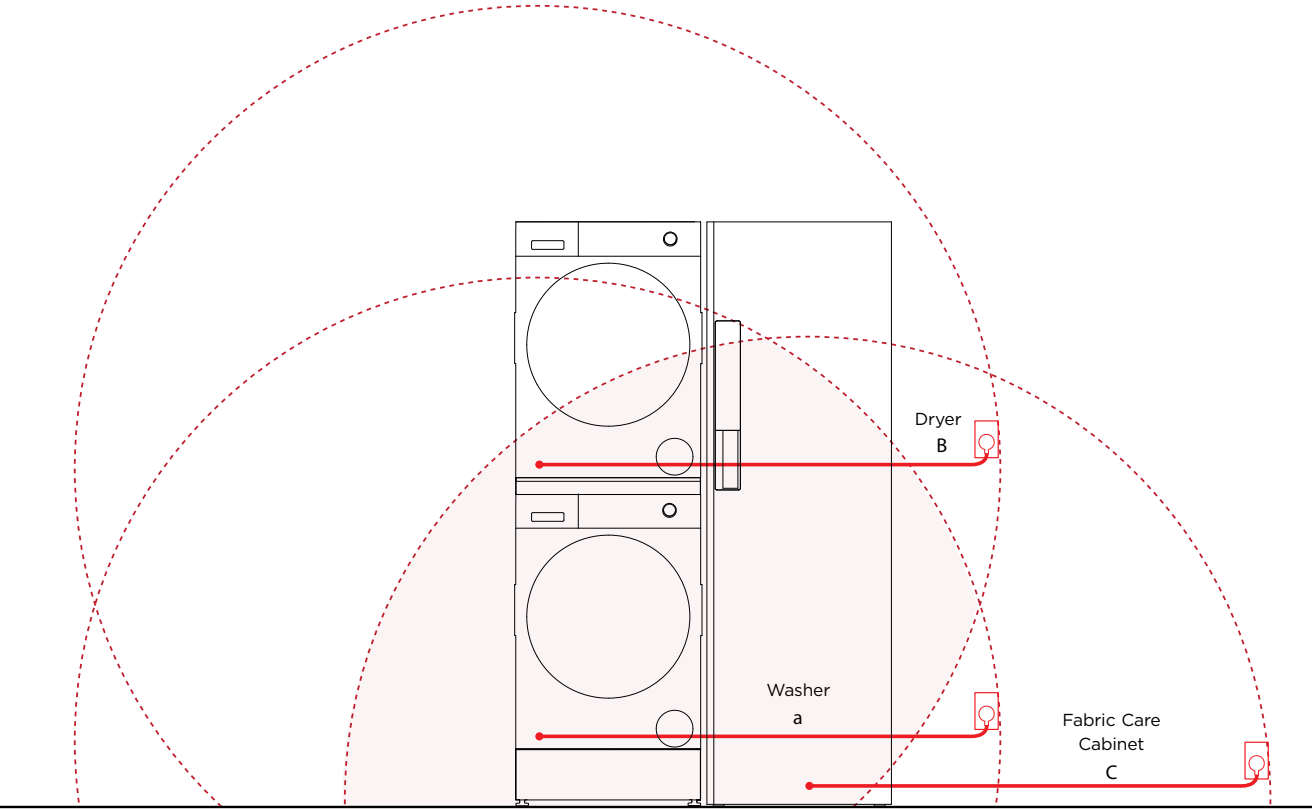
Connections may be located in an adjacent cabinet to either side of dryer

A washer and dryer without separate cold-water inlets shall be no more than 900mm apart.

Multiple product installation requires the design of water and power outlets according to local regulations.

IMPORTANT NOTE: Throughout this guide, dimensions may vary by ±2mm (1/16"). Please read the Installation Guide for detailed information on installing the product. For full installation instructions visit fisherpaykel.com

SERVICES | ELECTRICAL SPECIFICATIONS - **STACKED WASHER, DRYER AND FABRIC CABINET**



Maximum Distance of Power and Communication Cords

Model nos:

Front Loader Washing Machine - WH1060D5, WH1060DG5, WH1260D5, WH1260DG5

Front Loader Dryer - DH9060D5, DH9060DG5, DH1060D5, DH1060DG5

Fabric Care Cabinet - FC1260H2, FC1260HG2

Stacking kit: ASKS60W5, ASKS60G5

Storage Plinth - FM2060S2, FM2060SG2

Maximum Cord Length	mm
a Washer	1400
B Dryer	1400
C Fabric Care Cabinet	1400

NOTES:

Connections may be located in an adjacent cabinet to either side of dryer. Ensure power will remain accessible following install to allow access for any future product maintenance.

Multiple product installation requires the design of water and power outlets according to local regulations.

IMPORTANT NOTE: Throughout this guide, dimensions may vary by ±2mm (1/16"). Please read the Installation Guide for detailed information on installing the product. For full installation instructions visit fisherpaykel.com

