

# FISHER & PAYKEL

## CONVECTION SPEED OVEN

---

**PROFESSIONAL**

OM30NPX1 models

**INSTALLATION GUIDE**

**US CA**

## SAFETY AND WARNINGS

### ⚠ WARNING!



#### Electric Shock Hazard

Failure to follow this advice may result in electrical shock or death.

- Before carrying out any work on the electrical section of the appliance, it must be disconnected from the mains electricity supply.
- Connection to a good ground wiring system is absolutely essential and mandatory.
- Alterations to the domestic wiring system must only be made by a qualified electrician.

### ⚠ WARNING!



#### Cut Hazard

Failure to use caution could result in injury.

- Take care - some edges are sharp.

### ⚠ WARNING!



#### Fire Hazard

Failure to follow this advice may result in a fire causing death or serious injury.

- Do not use adapters, reducers, or branching devices to connect this appliance to the mains power supply.

### WARNING!

To reduce the risk of fire, injury to persons or damage when using the appliance, follow the important safety instructions listed below. Read all the guidance before using the appliance.

#### Servicing

- Do not repair or replace any part of the appliance unless specifically recommended in the user guide. All other servicing should be undertaken by a Fisher & Paykel trained and supported service technician or qualified person.

#### General

- Save these instructions for the local inspectors use.
- Please make this information available to the person installing the appliance - doing so could reduce your installation costs.
- This oven is to be installed and connected to the electricity supply only by an authorized person.
- If the installation requires alterations to the domestic electrical system, call a qualified electrician. The electrician should also check that the socket cable section is suitable for the electricity drawn by the oven.
- The oven must be grounded.
- Installation must comply with your local building and electricity regulations.
- This appliance must be installed and connected to the mains power supply only by a suitably qualified person according to these installation instructions and in compliance with any applicable local building and electricity regulations. Failure to install the appliance correctly could invalidate any warranty or liability claims.
- If the power supply cable is damaged, it must be replaced by the manufacturer, its service agent or similarly qualified person in order to avoid a hazard.
- A circuit breaker is recommended.
- Do not use adapters, reducers or branching devices to connect the oven to the mains electricity supply, as they can cause overheating and burning.
- Make sure the cavity is completely sealed with no gaps. This is to ensure the oven cooling system functions correctly.
- Do not allow children and animals to stop or linger near the appliance when it is pulled out of the cabinet.

#### Electrical requirements

- Connect oven with copper wire only.
- Do not cut the conduit.
- A U.L. listed conduit connector must be provided at the junction box.
- Do not ground to a gas pipe.
- Do not have a fuse in the grounding or neutral circuit.
- Fuse both sides of the line.
- A time delay fuse or circuit breaker is recommended. If using a time delay fuse, then fuse both sides of the line.
- Flexible armored cable from the appliance should be connected directly to the junction box.
- Connect directly to the fused disconnect (or circuit breaker box) through flexible, armored or non-metallic sheathed, copper cable (with grounding wire).
- If codes permit and a separate grounding wire is used, it is recommended that a qualified electrician determine that the grounding path and wire gauge are in accordance with local codes.

### SAVE THESE INSTRUCTIONS

The models shown in this installation guide may not be available in all markets and are subject to change at any time. For current details about model and specification availability in your country, please go to our website [www.fisherpaykel.com](http://www.fisherpaykel.com) or contact your local Fisher & Paykel dealer.

## INSTALLATION CONSIDERATIONS

### PRIOR TO INSTALLATION

#### Prior to installing your oven, ensure the following:

- The countertop and oven cavity are square and level, and are the required dimensions.
- The installation will comply with all clearance requirements and applicable standards and regulations.
- The isolating switch will be easily accessible to the customer with the oven installed.
- The electrician provides sufficient free length of power supply cable to reach from the bottom rear of the cavity to at least 59 1/16" (1.5m) in front of the bottom edge of the opening.
- The cable may enter the cavity from the side, top or bottom, but top entry must be at the rear of the cavity.
- The oven connection socket (if fitted) is outside the cavity if the oven is flush to the rear wall.
- The oven will rest on a surface that can support its weight.
- The height from the floor suits the customer.
- You consult local building authorities and by-laws if in doubt regarding installation.

### WARNING!

**Some environmental factors and cooking habits can cause condensation in and around the oven during use. To protect surrounding cabinetry from possible damage caused by frequent or excessive condensation, we recommend moisture-proofing the oven cavity.**

### DURING INSTALLATION

#### During installation, please ensure the following:

- The oven door(s) can open fully without obstruction.
- The power supply cable does not touch any hot metal parts.
- The isolating switch is easily accessible to the customer with the oven installed.
- You complete the 'Final checklist' at the end of the installation.
- If, after following the instructions given, correct performance cannot be achieved, please contact your nearest Fisher & Paykel Service Centre, Customer Care, or contact us through our local website listed at the end of this document.

### WARNING!

**Take extra care not to damage the lower trim of the oven during installation. The trim is important for correct air circulation and allows the door to open and close without obstruction.**

**The manufacturer does not accept any responsibility for damage resulting from incorrect installation.**

- The oven can be installed under a cooktop, in a column, or combined with the companion warmer drawer or coffee maker.
- The cabinet material must be able to withstand heat.
- The oven must be centered within the walls of the cabinet and fixed with the screws that are provided.

## COMPONENTS REQUIRED

### PARTS SUPPLIED

- Keep all packing materials until the unit has been inspected.
- Inspect the product to ensure there is no shipping damage. If any damage is detected contact the dealer or retailer you bought the product from to report the damage.
- Fisher & Paykel is not responsible for shipping damage.

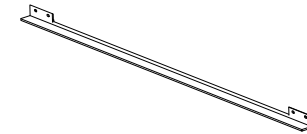
#### Supplied



Mounting screws (2)



Mounting washers (2)



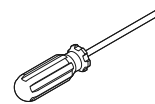
Lower trim (1)



Lower trim screws (2)

### TOOLS REQUIRED

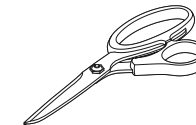
#### Not supplied



Crosshead screwdriver

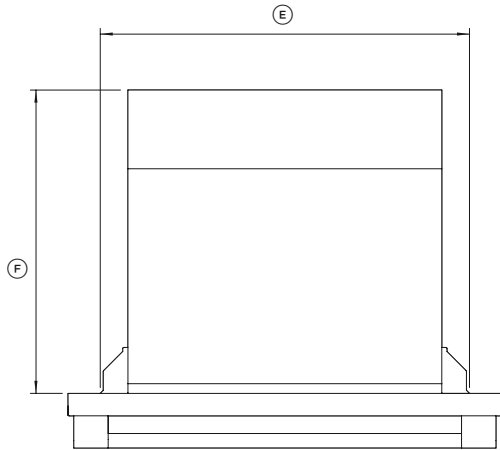


Power drill

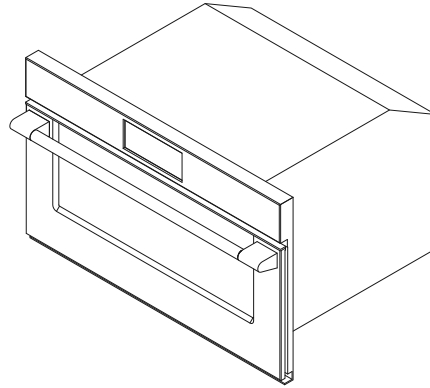


Scissors

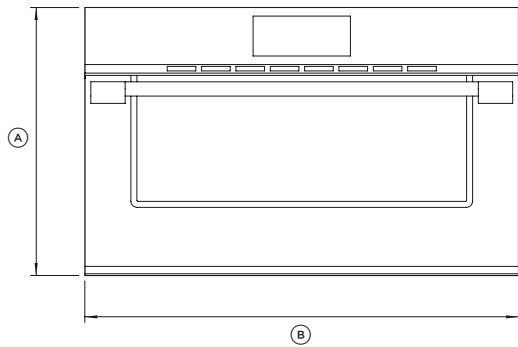
## PRODUCT DIMENSIONS



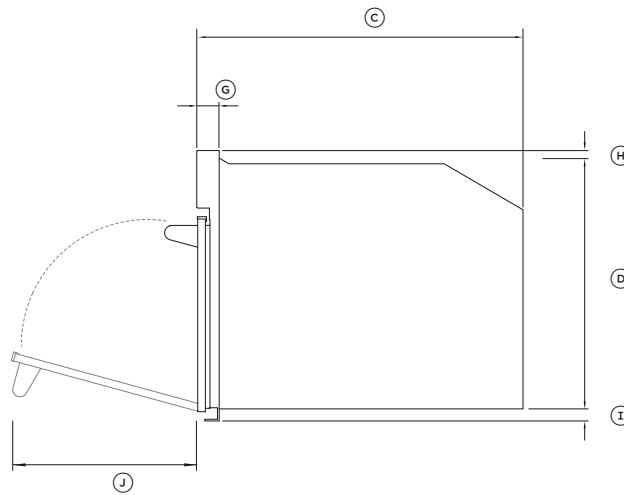
PLAN



ISOMETRIC



FRONT

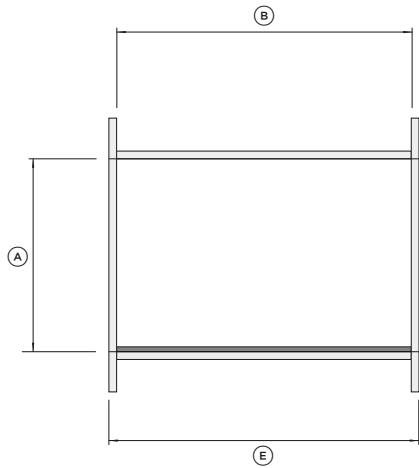


PROFILE

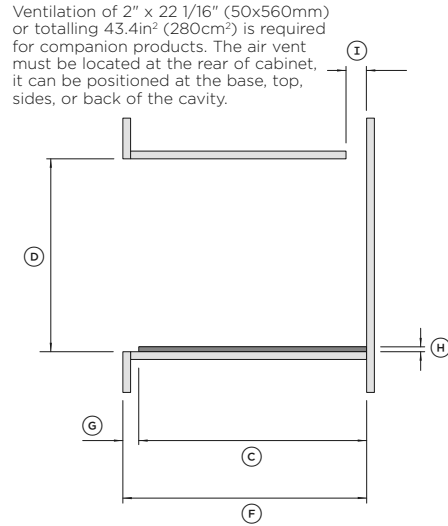
PRODUCT DIMENSIONS	OM30 MODELS	
	IN	MM
Ⓐ Overall height	18 1/2	470
Ⓑ Overall width	29 13/16	757
Ⓒ Overall depth (excluding handles and dials)	22 5/16	567
Ⓓ Height of chassis	17 9/16	446
Ⓔ Width of chassis	25 3/8	645
Ⓕ Depth of chassis	20 13/16	528
Ⓖ Depth of oven frame and control panel (distance between front of chassis and front of oven door, excl. handle)	1 9/16	39
Ⓗ Height of stepdown from top of control panel to top of chassis	9/16	14
Ⓘ Height of stepdown from bottom of chassis to bottom of lower trim	3/8	10
Ⓙ Depth of oven door when fully opened (measured from front of control panel)	12 1/8	308

Actual product dimensions may vary by  $\pm 2$ mm.

## CABINERY DIMENSIONS (FLUSH INSTALL)

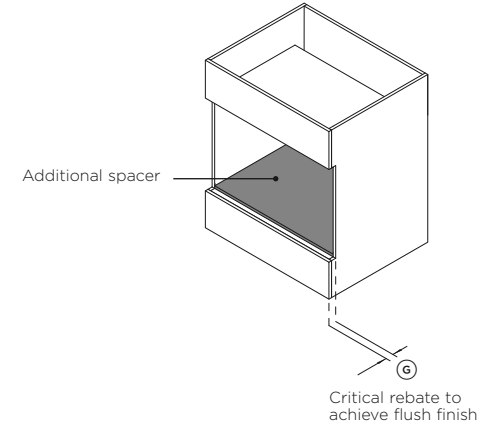
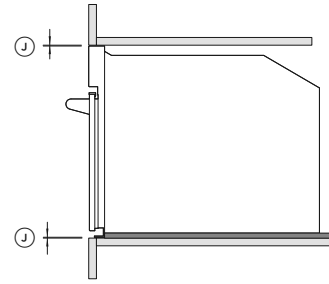


**FRONT ELEVATION**  
without front panels



**SIDE ELEVATION**  
with front panels

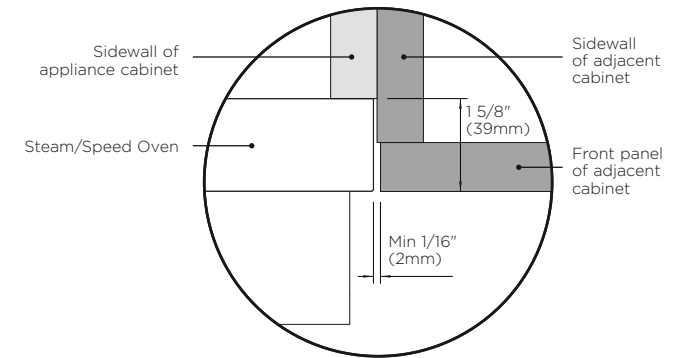
Ventilation of 2" x 22 1/16" (50x560mm) or totalling 43.4in<sup>2</sup> (280cm<sup>2</sup>) is required for companion products. The air vent must be located at the rear of cabinet, it can be positioned at the base, top, sides, or back of the cavity.



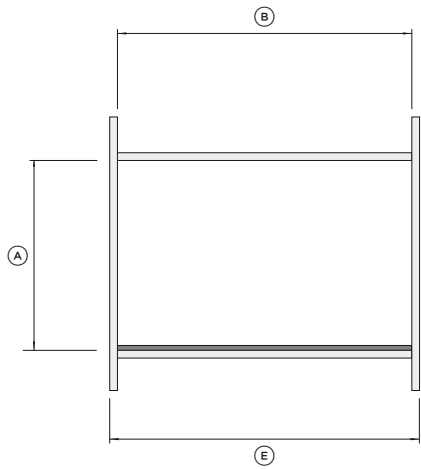
### CAVITY DIMENSIONS

	OM30 MODELS	
	INCHES	MM
Ⓐ Minimum inside height of cavity	18 11/16	474
Ⓑ Minimum inside width of cavity	25 3/8	645
Ⓒ Minimum inside depth of cavity (from front of rebate)	22 1/16	560
Ⓓ Minimum height between cabinetry front panels	18 11/16	474
Ⓔ Overall width of cabinetry	30	762
Ⓕ Minimum overall depth of cavity (incl. front panel)	23 5/8	600
Ⓖ Rebate depth for flush install (incl. front panel)	1 9/16	39
Ⓗ Overall height of spacer in base of cavity	1/2	12
Ⓘ Ventilation gap	2	50
Ⓙ Minimum clearance to adjacent cabinetry or other appliances	1/16	2

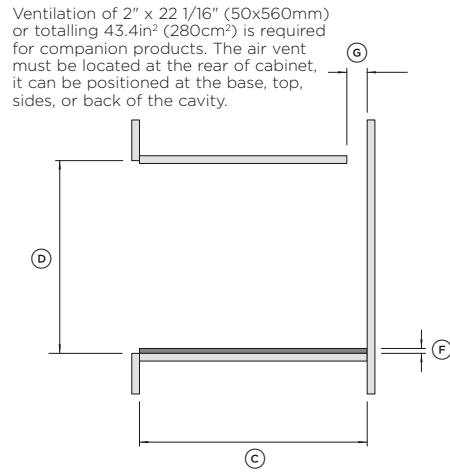
### DETAIL - PLAN VIEW



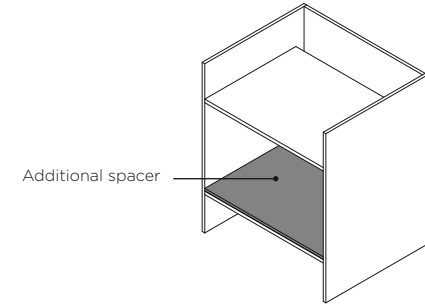
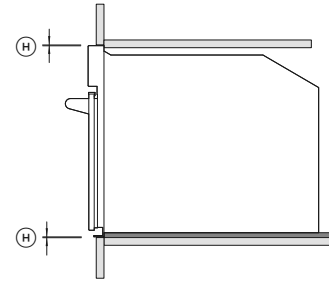
## CABINETY DIMENSIONS (PROUD INSTALL)



**FRONT ELEVATION**  
without front panels



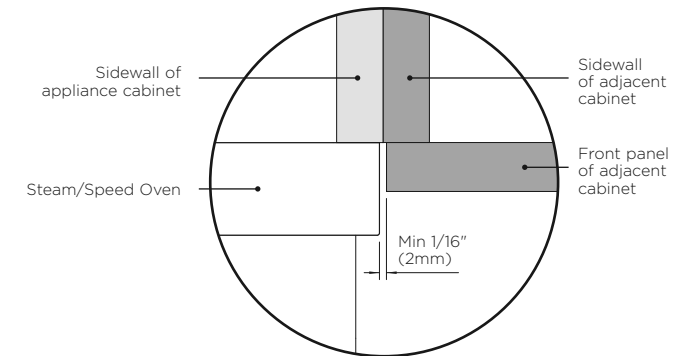
**SIDE ELEVATION**  
with front panels



### CAVITY DIMENSIONS

	OM30 MODELS	
	INCHES	MM
(A) Minimum inside height of cavity	18 3/8	467
(B) Minimum inside width of cavity	25 3/8	645
(C) Minimum inside depth of cavity	22 1/16	560
(D) Minimum height between cabinetry front panels	18 11/16	474
(E) Overall width of cabinetry	30	762
(F) Overall height of spacer in base of cavity	1/2	12
(G) Ventilation gap	2	50
(H) Minimum clearance to adjacent cabinetry or other appliances	1/16	2

### DETAIL - PLAN VIEW



## ELECTRICAL CONNECTION

Before connecting the oven to the mains power supply, check that:

- specifications of the electrical system match with what is detailed on this section.
- system has an effective ground connection compliant with current standards and laws.

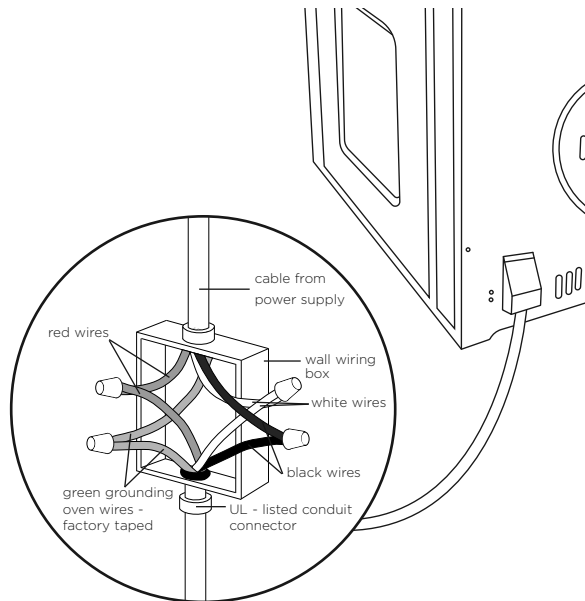
The ground connection is required by law. The cable must not, at any point, reach a temperature greater than 122°F (50°C) above room temperature.

This oven must be connected to the electricity through a power supply cable and plug that is compatible with the outlet of the electrical system that powers this oven. If a fixed appliance does not have a power cord and plug, or another device that ensures disconnection from the mains, with an opening distance of the contacts that allows complete disconnection, such disconnection devices must be provided in the power supply mains conforming to the installation rules.

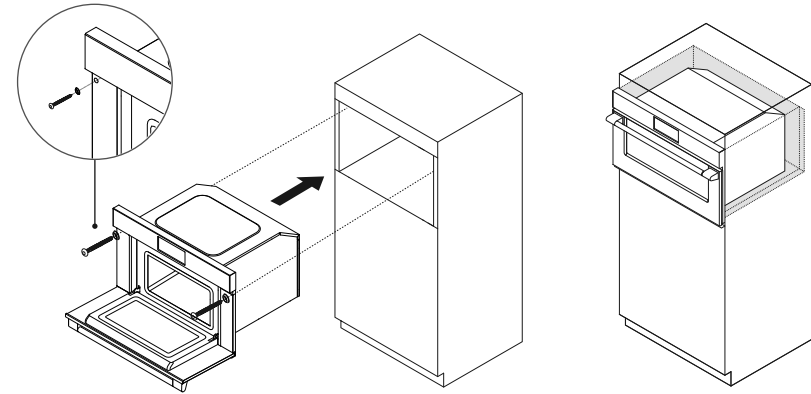
The omnipolar socket or switch must be easy to reach when the appliance is installed.

Note: The manufacturer declines all liability if the usual accident prevention standards and the above instructions are not followed.

MAX POWER (W)	HZ	VOLTAGE (V)	AMPS (A)
3400	60 Hz	120/240V	14
2700	60 Hz	120/208V	13



## SECURE THE OVEN TO THE CABINETRY



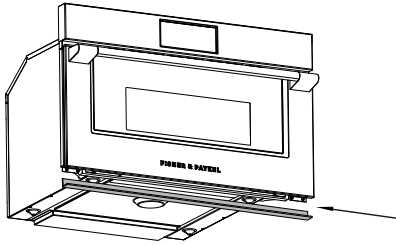
- Do not lift the oven by the door handle.
- Do not over-tighten the screws.
- Do not seal the oven into the cabinetry with silicone or glue. This makes future servicing difficult. Fisher & Paykel will not cover the costs of removing the oven, or of damage caused by this removal.
- Take care not to bend the tabs for the lower trim while installing the oven.

- ① Position the oven in the prepared cavity. Make sure the oven is centered and level.
- ② Open the oven door fully.
- ③ Mark and pre-drill the screw holes.
- ④ Place the supplied washers onto the mounting screws, then use to secure the oven to the cabinetry.

## ATTACH THE LOWER TRIM TO THE OVEN

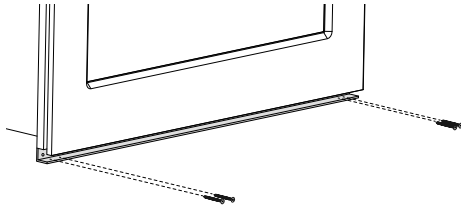
Attach the lower trim to the oven after installing the oven in the cabinetry.

1



Align the lower trim with the tabs on the base of the oven.

2



Use the supplied screws to attach the lower trim to the tabs.  
Take care not to bend the tabs while installing.  
Do not over-tighten the screws.



## INSTALLER CHECKLIST

---

### TO BE COMPLETED BY THE INSTALLER

- Make sure the oven is level and securely fitted to the cabinetry.
  - Check the lower trim is correctly attached and undamaged.
  - Ensure the oven door opens fully without obstruction.
  - Open the oven door slowly until it is fully open and check there is adequate clearance between the bottom of the door and the lower trim. This is to ensure correct air circulation.
  - Make sure any cable ties and internal packaging have been removed from the oven cavity.
  - Make sure all oven vents and openings are clear and free of any obstruction or damage. Failure to make sure all oven vents are clear may result in poor product performance.
  - Make sure the isolating switch is accessible by the customer.
- Turn the power to the oven on. The display should turn on..
  - Have you demonstrated basic operation to the customer?

---

Complete and keep for safe reference:

Model \_\_\_\_\_

Serial No. \_\_\_\_\_

Purchase Date \_\_\_\_\_

Purchaser \_\_\_\_\_

Dealer Address \_\_\_\_\_

Installer's Name \_\_\_\_\_

Installer's Signature \_\_\_\_\_

Installation Company \_\_\_\_\_

Installation Date \_\_\_\_\_

**FISHERPAYKEL.COM**

© Fisher & Paykel Appliances 2021. All rights reserved.

The models shown in this guide may not be available in all markets  
and are subject to change at any time.

The product specifications in this guide apply to the specific products and  
models described at the date of issue. Under our policy of continuous product  
improvement, these specifications may change at any time.

For current details about model and specification availability in your country,  
please go to our website or contact your local Fisher & Paykel dealer.

**592415A 11.21**