

# Oven, 90cm, 9 Function, Self-cleaning

Series 9 | Contemporary

Stainless Steel

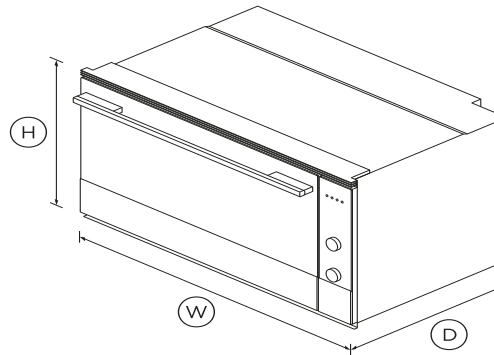


A highlight of our collection, this large capacity Series 9 oven gives you more room for all kinds of cooking, including Rotisserie.

- 100L total capacity, with 9 oven functions including Rotisserie and Pastry Bake
- Pyrolytic self-cleaning function breaks down food residue for an easy clean
- Built-in professional grade rotisserie
- Non-tip, full-extension shelves for safe removal of hot dishes

## DIMENSIONS

Height	478mm
Width	895mm
Depth	564mm



## FEATURES & BENEFITS

### Cooking flexibility

This built-in oven has nine functions with pre-set temperatures, including Bake, Pastry Bake and Fan Forced, allowing you to use a variety of cooking styles.

### PRE-SET OVEN FUNCTIONS

Oven functions are pre-set at the touch of a dial and brilliant lighting combined with a large viewing window reduce the need to open the oven door, providing perfect cooking results and improving energy efficiency.

Sized to suit

Designed for multi-shelf cooking, this is one of the largest built-in ovens on the market providing 100L total capacity. The wide cavity allows for both side by side and multi-shelf cooking.

### Safe and sound

The CoolTouch door with triple glazing and cooling system is safe to touch from the outside, protecting your hands and the surrounding cabinetry. Getting large dishes in and out of the oven is a breeze with full telescopic sliding shelves that stay perfectly steady - even when pulled all the way out.

### Even cooking

Our built-in ovens feature AeroTech - a technology that circulates heat evenly, ideal for multi-shelf cooking. The professional-quality rotisserie roasts meat to succulent perfection and a powerful grill gives even and quick browning results.

### Complementary design

With their premium handle styling and stainless steel finish, our built-in ovens are designed to match the rest of Fisher & Paykel's kitchen appliance family.

## SPECIFICATIONS

### Accessories

Grill rack	1 set
Roasting dish	1
Rotisserie set	1
Step down wire shelf	1
Telescopic sliding runners	1 set

### Accessories (sold separately)

Handle kit Contemporary	Part 81649
-------------------------	------------

### Capacity

Shelf positions	4
Total capacity	100L
Usable capacity	85L

#### Cleaning

Acid resistant graphite enamel	•
Pyrolytic self-clean	•
Removable oven door	•
Removable oven door inner	•
Removable shelf runners	•

#### Controls

Audio feedback	•
Automatic cooking/minute	•
Automatic pre-set	•
Celsius/Fahrenheit	•
Electronic clock	•
Electronic oven control	•
Turned stainless capacitive	•

#### Functions

Bake	•
Fan bake	•
Fan forced	•
Fan grill	•
Grill	•
Number of functions	9
Pastry Bake	•
Pyrolytic self-clean	•
Roast	•

Rotisserie	•
Warm	•

#### Performance

AeroTech™ technology	•
Automatic rapid pre-heat	•
Grill power	4050W

#### Power requirements

Amperage	20.56A
----------	--------

#### Product dimensions

Depth	564mm
Height	478mm
Width	895mm

#### Safety

Balanced oven door	•
Catalytic venting system	•
Control panel key lock	•
CoolTouch door	•
Non-tip shelves	•

SKU	81677
-----	-------

The product dimensions and specifications in this page apply to the specific product and model. Under our policy of continuous improvement, these dimensions and specifications may change at any time. You should therefore check with Fisher & Paykel's Customer Care Centre to ensure this page correctly describes the model currently available. ? Fisher & Paykel Appliances Ltd 2020

#### Other product downloads available at fisherpaykel.com

- [↓](#) User Guide
- [↓](#) Service & Warranty
- [↓](#) Installation Guide
- [↓](#) Data Sheet Oven



#### A PEACE OF MIND SALE

24 Hours 7 Days a Week Customer Support

T +65 6741 0777 W www.fisherpaykel.com