

Double DishDrawer™ Dishwasher, Tall, Sanitize

Series 7 | Contemporary

Stainless Steel

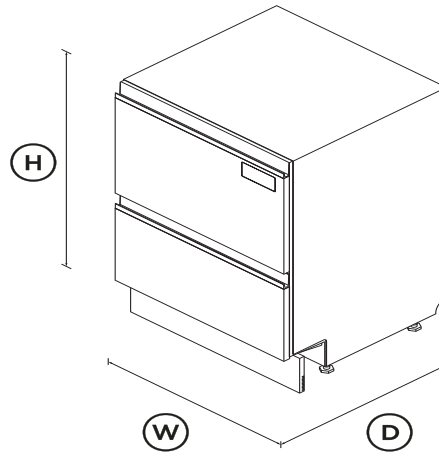


Wash one drawer while you load the other, with room in each drawer for full-size dinner plates.

- Designed to be installed under your benchtop, with recessed handles for a seamless look
- Six wash programs, as well as additional Quick wash, Sanitize and Dry+ modifiers
- Flexible racking allows you to customize internal shelves to suit your needs
- Wi-Fi enabled and works with the SmarthQ™ app for remote control and notifications

DIMENSIONS

Height	34 - 36 3/8"
Width	23 9/16"
Depth	22 9/16"



FEATURES & BENEFITS

Seamless fit

Our built-under DishDrawer™ Dishwashers are installed flush under your benchtop with the option of a custom kickstrip, ensuring minimal gaps. Designed to match the Fisher & Paykel family of kitchen appliances with recessed handles for a streamlined look.

Ease of use

DishDrawer™ Dishwashers are as easy to open and close as

kitchen drawers and can be conveniently positioned at bench height for ease of loading and minimal bending. Flexible racking allows you to make adjustments to fit in a variety of dishes.

Quick, Sanitize and Dry+ options

The Quick wash modifier delivers a faster wash while maintaining performance. The Sanitize option provides extra protection, killing 99.9% of bacteria* in the final rinse. The Dry+ setting is perfect for plastic dishes.

True half load

Each drawer holds a true half load for small, fast washing that won't waste water. Both drawers operate independently so two wash cycles can operate simultaneously to allow for varying loads.

Independent wash

With the ability to use both drawers independently and select different wash programs, the DishDrawer™ Dishwasher can wash everything from fine glass and crystal to heavily soiled pots and pans.

Quiet performer

Running at a very low decibel rating, these DishDrawer™ Dishwashers do their job without making a fuss. The combination of intelligent technology and simple mechanics means greater reliability and excellent wash performance.

Efficient performance

Our DishDrawer™ Dishwashers use the energy they need without compromising on wash performance.

SPECIFICATIONS

Accessories

- Cutlery basket
- Kickstrip
- Knife clip and multipurpose

Capacity and loading

Accommodates round plates	12.25" (top) 11" (bottom)
Adjustable height, foldable	•
Fold down tines	•
Pitch adjustable tines	•
Place settings	14
Place settings per drawer	7

Consumption

Energy usage	265kWh/year
In-use energy carbon	32.7kgCO2e/year
Water usage (per wash cycle)	3.44 gal running both tubs

Controls

Energy saving delay start	•
Intuitive capacitive touch	•
Keylock	•
Wi-Fi connectivity	•

Features

Fan assisted drying	•
Flood protection	•
Flow through detergent	•
Motor type	BLDC
Quiet operation	•
SmartDrive™ technology	•

Performance

Noise on standard cycle top	42dBA
-----------------------------	--------------

Power requirements

Amperage	10A
Supply frequency	60Hz
Supply voltage	100 - 120V

Product dimensions

Depth	22 9/16"
Height	34 - 36 3/8"
Width	23 9/16"

Warranty

Parts and labour	Limited 2 years
------------------	------------------------

Wash Program Modifiers

Dry +	•
Quick	•
Sanitize	•
Wash modifiers	3

Wash Programs

60 min	•
Eco	•
Glassware	•
Heavy	•
Light	•
Medium	•
Rinse	•
Wash programs	7

Water connection

Supplied hose to suit 3/8"	•
Water pressure	30kPa - 1000 kPa
Water supply	3/4" BSP (20mm) Connector

SKU	82900
-----	--------------

The product dimensions and specifications in this page apply to the specific product and model. Under our policy of continuous improvement, these dimensions and specifications may change at any time. You should therefore check with Fisher & Paykel's Customer Care Centre to ensure this page correctly describes the model currently available. ? Fisher & Paykel Appliances Ltd 2020

Other product downloads available at fisherpaykel.com

- [↓](#) Service & Warranty
- [↓](#) User Guide DishDrawer™ Dishwasher EN
- [↓](#) Energy Label Double DishDrawer™ Dishwasher
- [↓](#) Guide d'utilisation FR
- [↓](#) Guide d'installation FR
- [↓](#) Installation Guide DishDrawer™ Dishwasher
- [↓](#) Preliminary Specification Guide Double DishDrawer™ Dishwasher



A PEACE OF MIND SALE

24 Hours 7 Days a Week Customer Support

T 1.888.936.7872 W www.fisherpaykel.com