

Integrated Refrigerator Freezer, 90.6cm, Ice

Series 7 | Integrated

Panel Ready | Right Hinge

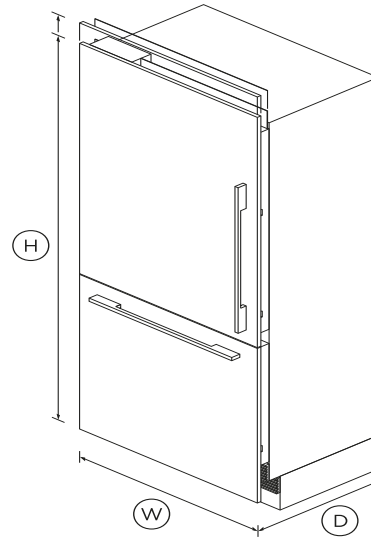


Choose a roomy refrigerator with ice maker. Fits flush with your custom cabinetry or with our stainless steel panels.

- ActiveSmart™ technology helps keep food fresher for longer by constantly maintaining the ideal temperature.
- Customise with your own kitchen cabinetry or purchase our stainless steel door panel accessory
- Internal ice maker with boost feature for busy times
- Spacious bottom freezer with full extension drawer gives easy access to frozen goods

DIMENSIONS

Height	2028mm
Width	906mm
Depth	606mm



FEATURES & BENEFITS

ACTIVESMART™ FOODCARE

ActiveSmart™ Foodcare learns how you live. It is technology which understands how you use your refrigerator and adjusts temperature, airflow and humidity inside to help keep food fresher for longer.

ICE MAKER

Fresh ice is always available for you in a dedicated freezer bin. Simply turn it off to free up freezer space, or during busy times you can boost ice production by up to 30%.

EASY INSTALLATION

Our integrated products are easy to install, whether you are renovating your kitchen or designing a new one. Adjustable front and rear feet allow for uneven floors alongside adjustable door panels that can be customised to match your kitchen.

SIMPLE STORAGE

This refrigerator is designed to make it simple for you to store, access and remove food. Storage bins give you full access inside when they're pulled open and can be easily removed to clean. Our flexible shelving also gives you more storage options.

SPECIFICATIONS

Accessories

Contemporary round handle	AHS-ASBI-B
Contemporary square handle	RS91W
Joiner kit	25702
Replacement water filter	Models 24xxx, 25xxx-A, 25xxx-
Square fine aluminium handle	AHD5RD9120W
Square fine black handle kit	AHD5RD9120WB
Stainless steel door panel	Left hinge = 25790 (2028mm)

Capacity

Total net volume	477L
Volume freezer	145L
Volume refrigerator	332L

Consumption

Energy consumption	303kWh/year
Energy rating	E

Features

Adjustable door shelves	6
Adjustable glass shelves	3
Covered door shelves	2
Door alarm	•
Fruit and vegetable bins	2
LED lighting	•
SmartTouch control panel	•
Soft close doors	•
Stackable bottle holders	4

Freezer Features

Automatic ice maker	•
Bottle chill	•
Door alarm	•
Fast freeze	•
Ice Boost	•
Ice bin and scoop	•
LED lighting	•
Large plastic bins	•
Slide Out Pastry Tray	•

Performance

ActiveSmart™ Foodcare	•
Adaptive defrost	•
Frost free freezer	•
Humidity control system	•
Inverter controlled compressor	•
Noise emissions	42dBA
Noise emissions class	D
R600a refrigerant	•

Sabbath mode	•
--------------	---

Power requirements

Rated current	10A
Supply frequency	50Hz
Supply voltage	230V

Product dimensions

Depth	606mm
Height	2028mm
Width	906mm

Warranty

Parts and labour	5 years
Sealed system parts only	5 years

SKU	26535
-----	-------

The product dimensions and specifications in this page apply to the specific product and model. Under our policy of continuous improvement, these dimensions and specifications may change at any time. You should therefore check with Fisher & Paykel's Customer Care Centre to ensure this page correctly describes the model currently available. ? Fisher & Paykel Appliances Ltd 2020

Other product downloads available at fisherpaykel.com

- [↓](#) User Guide Integrated Refrigerator Freezer
- [↓](#) Service & Warranty
- [↓](#) User Guide Integrated Refrigerator Freezer
- [↓](#) Installation Guide
- [↓](#) Install Guide - Water Filter Replacement
- [↓](#) Dual Installation Guide
- [↓](#) Data Sheet Integrated Refrigerator Freezer
- [↓](#) Planning Guide Integrated Refrigerator Freezer



A PEACE OF MIND SALE

24 Hours 7 Days a Week Customer Support

T 08000 886 605 Wwww.fisherpaykel.com